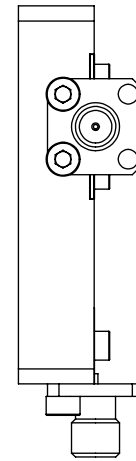
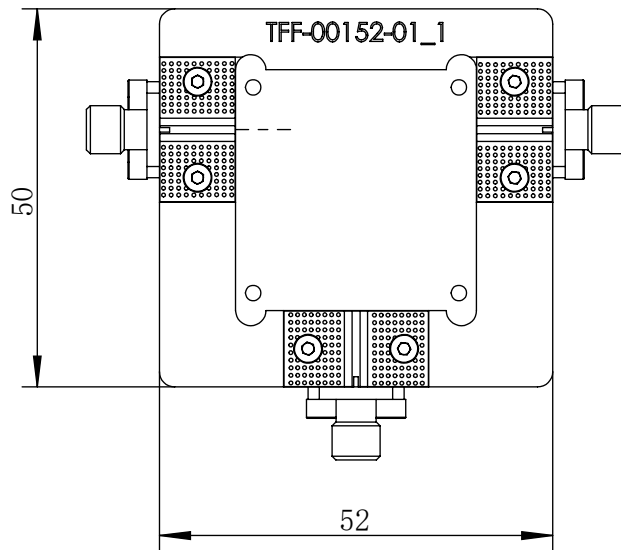
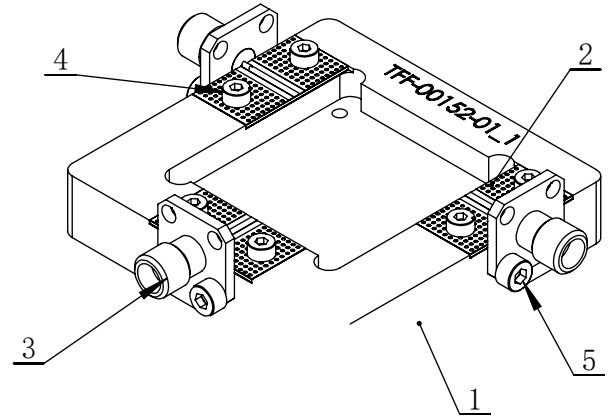
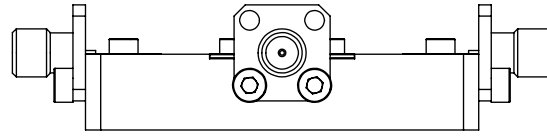

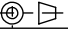


RoHS COMPLIANT

REVISIONS				
REV.	ECN NO.	DESCRIPTION	DATE	REVISOR
1		Producing release	2023/7/10	ZC.Wu



项目号	零件号	说明	数量
1	tff-00152-01	TEST FIXTURE	1
2	pcb-00064	PCB	3
3	con-00004	CONNECTOR SMA-F	3
4	SCR-00012	M2X6内六角螺丝	6
5	SCR-00008	M2.5X6内六角螺丝	6

PART NAME: 测试夹具	Designed:	ZC. Wu		
	Checked:	ZC. Wu		
DRAWING NO. : tff-00152	Approval:	KL. Wang		TOLERANCES ON
	The first angle projection: 			DECIMALS
DESCRIPTION: Test Fixture	Sheet 1 of 1		±0.20	±0.5°
	Scale: 1:1	Unit: mm	-	