



CI25N-2300T2700-C011

2300 MHz to 2700 MHz Single-Junction Coaxial Isolator

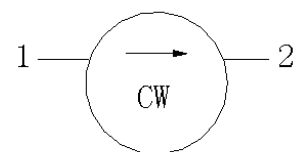
REV.	DESCRIPTION	REVISOR	DATE	APPROVED
1	Creating datasheet	ZC.Wu	2023/6/20	Nick

Applications:

- Wireless Infrastructure
- Power Amplifier

Features:

- Operating frequency range:2300MHz to2700MHz
- Operating temperature range:-30°C to +70°C
- Storage temperature range: -40°C to +95°C
- BeOfree&RoHS compliant



Block Diagram



Electrical Specifications:

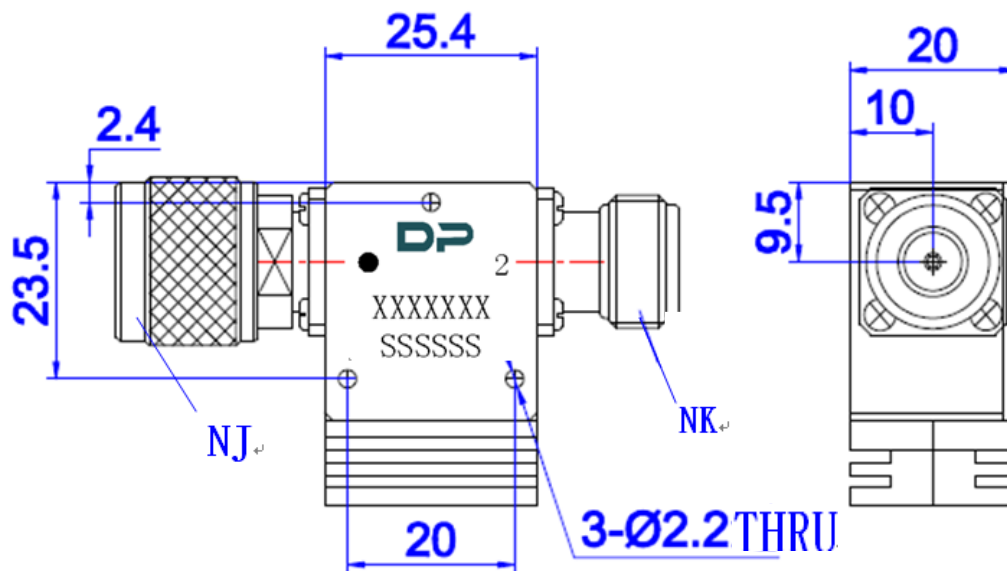
ITEM	SPECIFICATION	
Frequency	2300-2700	GHz
Direction	-	
Impedance	Typ: 50	Ω
Insertion Loss (Max.)	0.25@25°C 0.30@-30~+70°C	dB
Isolation (Min.)	22@25°C 20@-30~+70°C	dB
Return Loss (Min.)	22@25°C 20@-30~+70°C	dB
Power FWD/REV/PEAK	100/100/1000	W
Termination/Attenuator	150/-	W/dB
Connector	NJ-NK	

Notes:

1. Exposure to maximum rating conditions for extended periods may reduce device reliability. There is no damage to device with only one parameter set at the limit and all other parameters set at or below their nominal value. Exceeding any of the limits listed here may result in permanent damage to the device.
2. Performance is guaranteed under the conditions listed in this table and over the operating temperature range.



Mechanical Specifications:



Unit: Millimeters

Notes:

1. Tolerance ± 0.2 mm unless otherwise specified.
2. Part Number, Lot Code, and Port Designation are printed on the top side of device.
3. For the label information :
 - 3.1 Part Number
 - 3.2 Operating frequency
 - 3.3 Serial number
 - 3.4 DP Logo