



---

## CI25N-1800T2200-C009

1800 MHz to 2200 MHz Single-Junction Coaxial Isolator

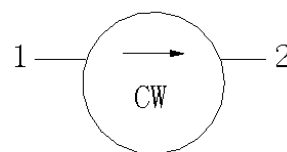
| REV. | DESCRIPTION        | REVISOR | DATE      | APPROVED |
|------|--------------------|---------|-----------|----------|
| 1    | Creating datasheet | ZC.Wu   | 2023/6/20 | Nick     |

### Applications:

- Wireless Infrastructure
- Power Amplifier

### Features:

- Operating frequency range:1800MHz to2200MHz
- Operating temperature range:-30°C to +70°C
- Storage temperature range: -40°C to +95°C
- BeOfree&RoHS compliant



Block Diagram



### Electrical Specifications:

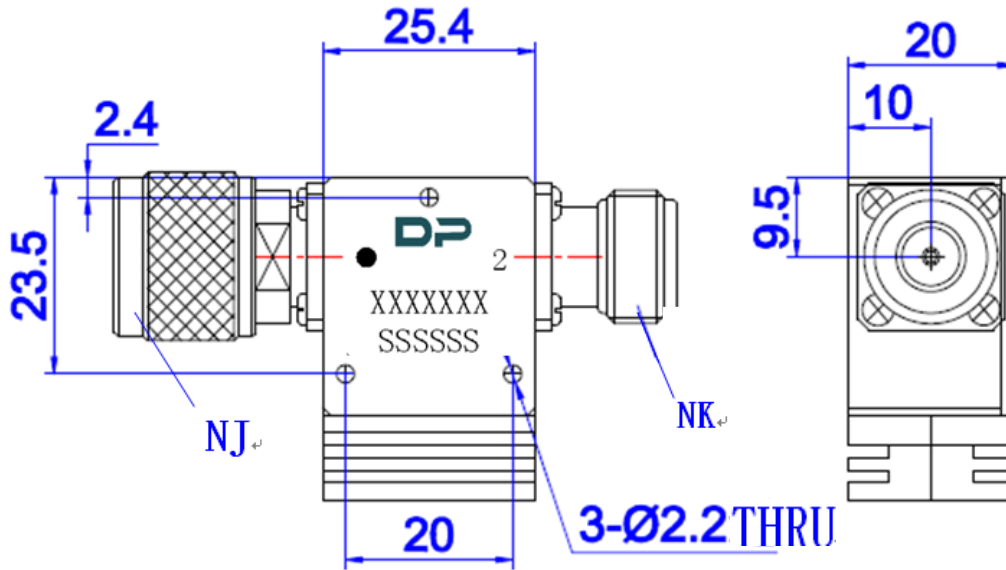
| ITEM                   | SPECIFICATION               |          |
|------------------------|-----------------------------|----------|
| Frequency              | 1800-2200                   | GHz      |
| Direction              | -                           |          |
| Impedance              | Typ: 50                     | $\Omega$ |
| Insertion Loss (Max.)  | 0.25@25°C<br>0.30@-30~+70°C | dB       |
| Isolation (Min.)       | 22@25°C<br>20@-30~+70°C     | dB       |
| Return Loss (Min.)     | 22@25°C<br>20@-30~+70°C     | dB       |
| Power FWD/REV/PEAK     | 100/100/1000                | W        |
| Termination/Attenuator | 150/-                       | W/dB     |
| Connector              | NJ-NK                       |          |

Notes:

1. Exposure to maximum rating conditions for extended periods may reduce device reliability. There is no damage to device with only one parameter set at the limit and all other parameters set at or below their nominal value. Exceeding any of the limits listed here may result in permanent damage to the device.
2. Performance is guaranteed under the conditions listed in this table and over the operating temperature range.



Mechanical Specifications:



Unit: Millimeters

Notes:

1. Tolerance  $\pm 0.2$ mm unless otherwise specified.
2. Part Number, Lot Code, and Port Designation are printed on the top side of device.
3. For the label information :
  - 3.1 Part Number
  - 3.2 Operating frequency
  - 3.3 Serial number
  - 3.4 DP Logo