

Travelling Merchant: _____

DATASHEET

Standard: DP9H32768011

Plot			The Label
Drew	Audited	Approved	Stamp, please! Thanks!
Date: 2023.06.20			

Guangdong Dapu Telecom Technology Co.,Ltd

Building 5, No.24, Industrial East Road, Songshanhu Park, Dongguan, Guangdong, P.R. China

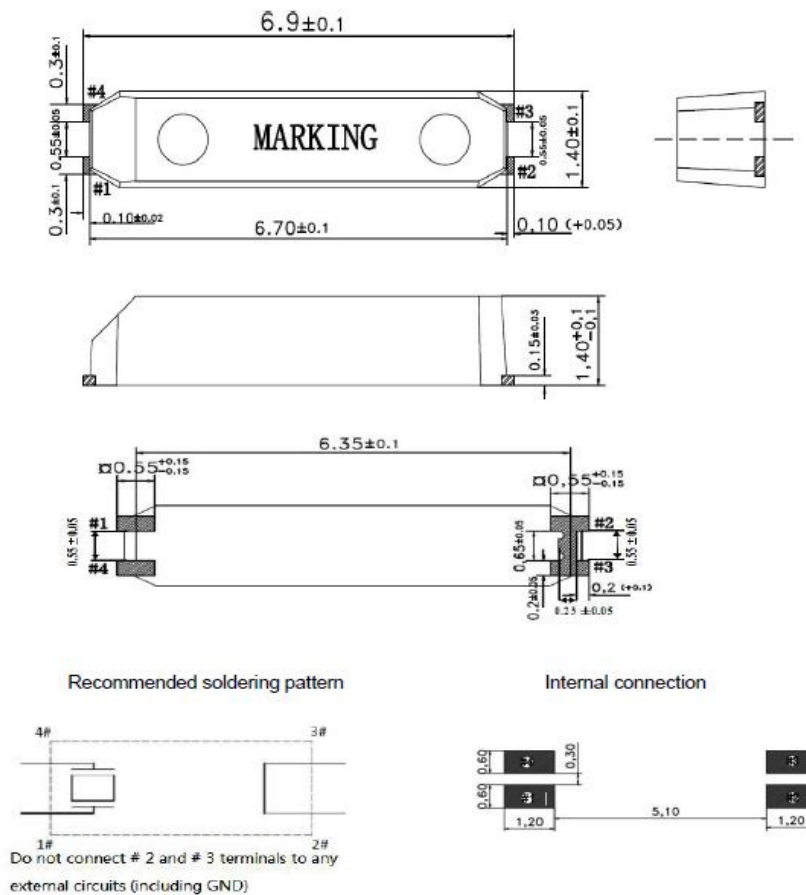
TEL: 0086-0769-88010888 FAX: 0086-0769-81800098



1、 Electrical Parameters

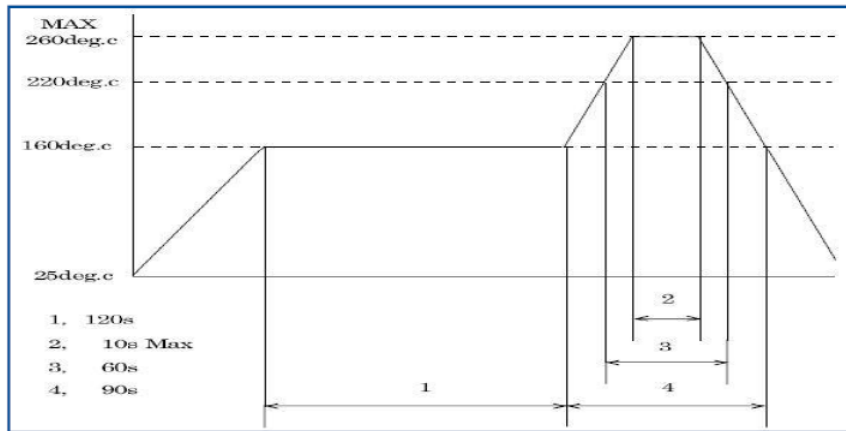
MODEL: DP9H32768011							
No.	Parameters	SYM.	Electrical Spec.				Notes
			Min.	Typ.	Max.	Units	
1	Nominal Frequency	FL	32.768			KHz	
2	Frequency Tolerance	$\Delta f/f_0$	-10		+10	ppm	Refer to center frequency@25°C
3	Temperature Coefficient	K		-0.036		ppm/(°C) ²	Refer to operating temperature
4	Load Capacitance	CL		12.5		pF	
5	Shunt Capacitance	C0			3	pF	
6	Insulation Resistance	IR	500			MΩ	@DC 100V
7	Aging Per Year	Δ/f	-5		+5	ppm	@25°C+/-3°C
8	Drive Level	DL		0.1		μW	
9	Equivalent Series Resistance	ESR			65	KΩ	Refer to@25°C
10	Operating Temperature Range	Topt	-40		+85	°C	
11	Storage Temperature Range	Tstg	-55		+125	°C	

2、 Mechanical Structure(mm)





3、Reflow Solder



4、Packing Description

