

Customer Code: _____

DATASHEET

DAPU P/N: DP7X50000005

DAPU			Customer Approval
Drew	Audited	Approved	Stamp, please! Thanks!
Date: 2020.09.10			

Guangdong Dapu Telecom Technology Co.,Ltd

Bldg 16,.N.Ind.Zone,SSL Industry Park, Dongguan City, Guangdong Province, China

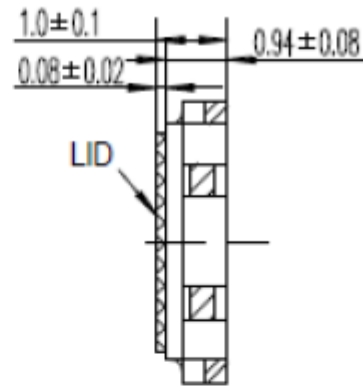
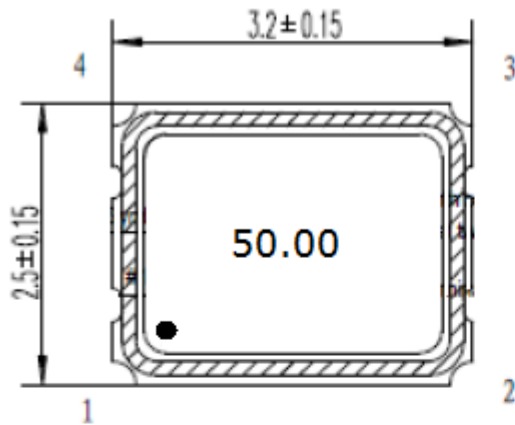
TEL: 0086-0769-88010888 FAX: 0086-0769-81800098

**1、 Electrical Parameters**

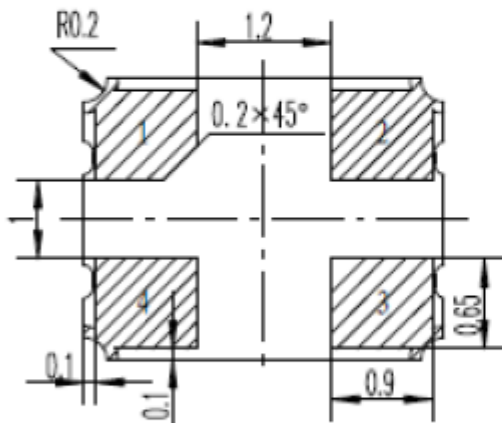
MODEL: DP7X5000005							
No.	Parameters	SYM.	Electrical Spec.				Notes
			Min.	Typ.	Max.	Units	
1	Nominal Frequency	FL	50.00			MHz	
2	Tolerance(total)	-	-50		+50	$\times 10^{-6}$	Frequency tolerance @25°C and frequency stability vs. operating temperature range and voltage variance and load variance.
3	Supply Variation	-	-2		+2	$\times 10^{-6}$	Vcc+/-5%
4	Load Variation	-	-1		+1	$\times 10^{-6}$	CL+/-5%
5	Maximum Supply Voltage Range	-	-0.5	-	6	V	
6	Operating Temperature	Topr	-40	25	+85	°C	
7	Storage Temperature	Tstg	-55	~	+125	°C	
8	Supply Voltage		2.97	3.3	3.63	V	
9	Output Load Capacitance	CL	13.5	15	16.5	pF	CMOS
10	Start up Time				1	mS	
10	Supply Current				8	mA	
11	Enable/disable function	Yes					
12	“H”Onput Voltage	VOH	0.9Vcc			V	
13	“L” Onput Voltage	VOL			0.1Vcc	V	
14	Duty Cycle	Duty	45	~	55	%	CL=15pF,Vc=1/2 Vcc
15	Rise and Fall time	Tr/Tf			5	ns	CL=15pF, 10%-90% Vcc
16	Phase Noise			-78		dBc	10Hz
				-108		dBc	100Hz
				-135		dBc	1KHz
				-150		dBc	10KHz
				-155		dBc	100KHz
				-156		dBc	1M Hz
17	Jitter	RMS			0.4	ps	12kHz to 20MHz



2、Mechanical Structure(mm)



(BOTTOM VIEW)



PAD FUNCTION

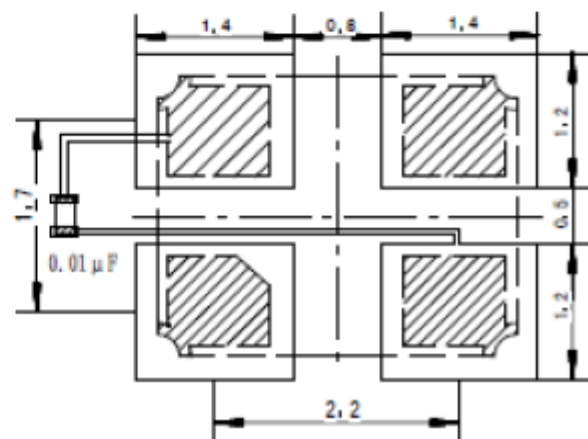
1 : NC

2 : GND

3 : OUT

4 : VCC

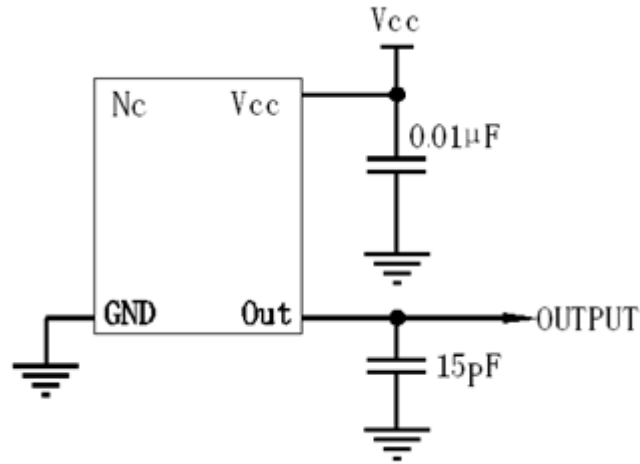
(Recommended Soldering Pattern)



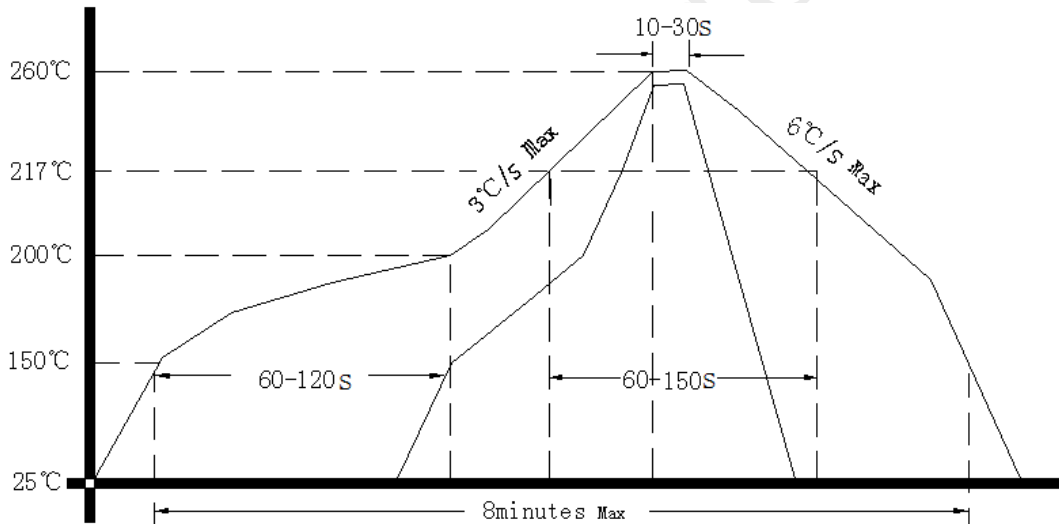
Note1: Tolerance $\pm 0.20\text{mm}$



3、 Test Circuit



4、 Reflow Soldering Curve (RoHS)



5、 Package: Tape & Reel (mm)

