

Travelling Merchant: _____

DATASHEET

Standard: DPAM32000004

Plot			The Label
Drew	Audited	Approved	Stamp, please! Thanks!
Date: 2023.06.13			

Guangdong Dapu Telecom Technology Co.,Ltd

Building 5, No.24, Industrial Road East, Songshanhu Park, Dongguan, Guangdong, P.R. China

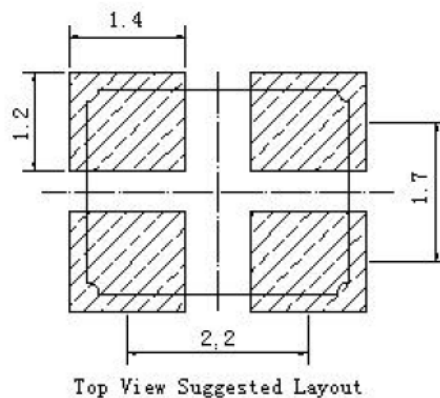
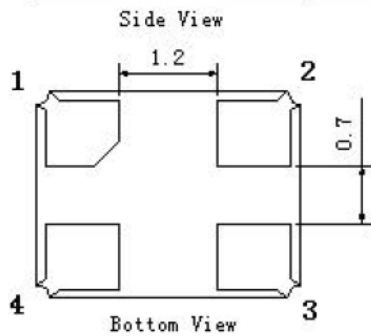
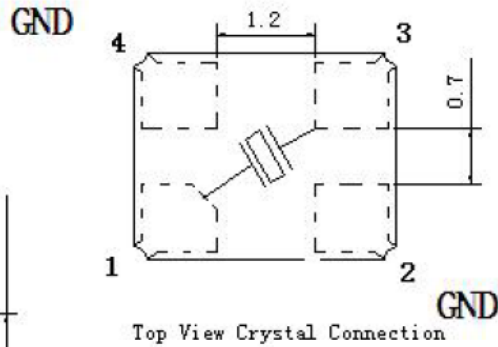
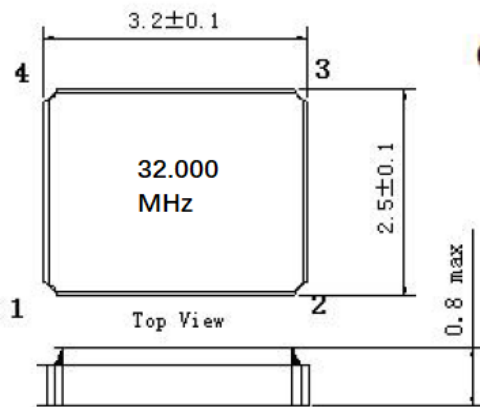
TEL: 0086-0769-88010888 FAX: 0086-0769-81800098



1、 Electrical Parameters

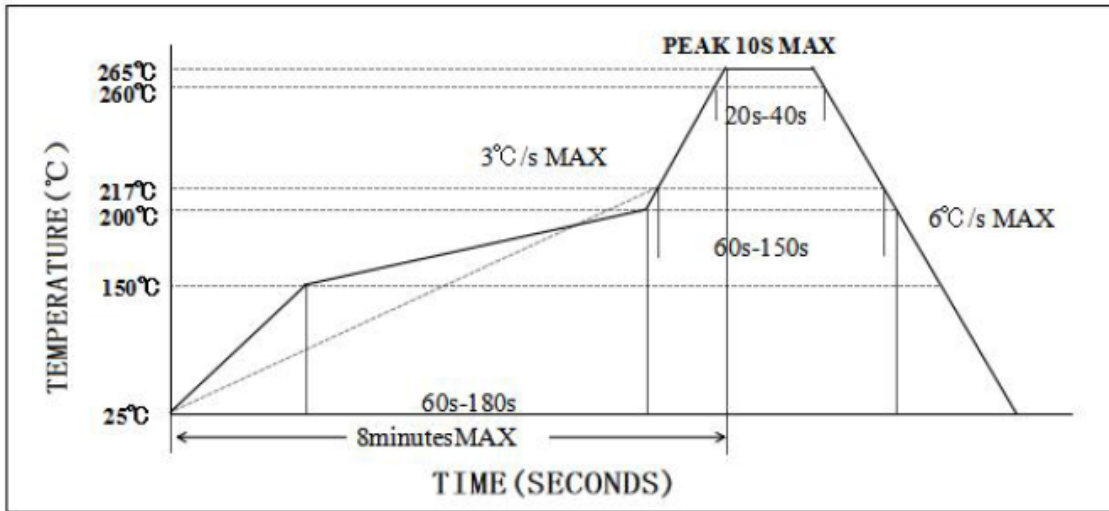
MODEL: DPAM32000004							
No.	Parameters	SYM.	Electrical Spec.				Notes
			Min.	Typ.	Max.	Units	
1	Nominal Frequency	FL	32.000			MHz	
2	Mode of Vibration	-	Fundamental			-	AT-CUT
3	Load Capacitance	CL	12			pF	
4	Frequency Tolerance	-	-10	-	+10	$\times 10^{-6}$	At 25°C± 2°C
5	Frequency Stability	-	-30	-	+30	$\times 10^{-6}$	At 25°C
7	Aging	-	-2	-	+2	$\times 10^{-6}$	First year
8	Drive Level	DL	1	100	300	μ W	
9	Effective Resistance Rr	Rr	-	-	50	Ω	
10	Shunt Capacitance C0	C0	-	-	3	pF	
11	Insulation Resistance	-	500	-	-	M Ω	At DC 100V
12	SPDB	-			-3	dB	F0±500KHz
13	Operating Temperature	-	-40	~	+85	°C	
14	Storage Temperature Range	-	-55	~	+125	°C	

2、 Mechanical Structure(mm)





3、 Reflow Soldering Curve (RoHS)



4、 Package(mm)

