

RoHS COMPLIANT

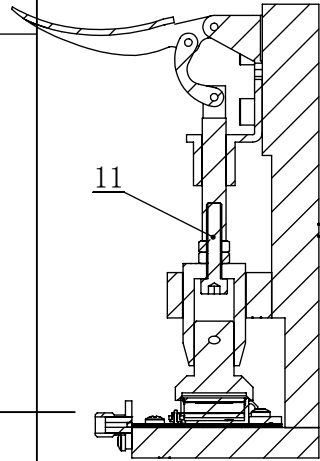
REVISIONS			
REV.	DESCRIPTION	DATE	APPROVAL
A		2019/12/17	

A

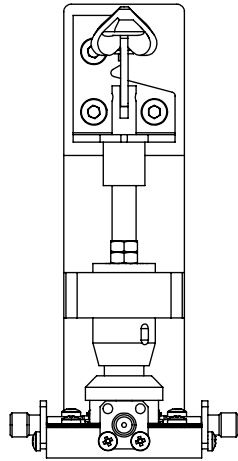
A-A



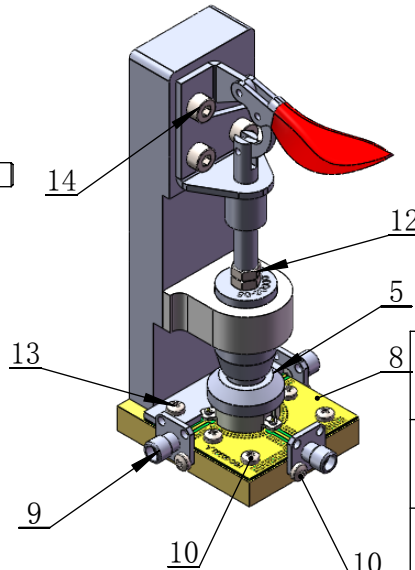
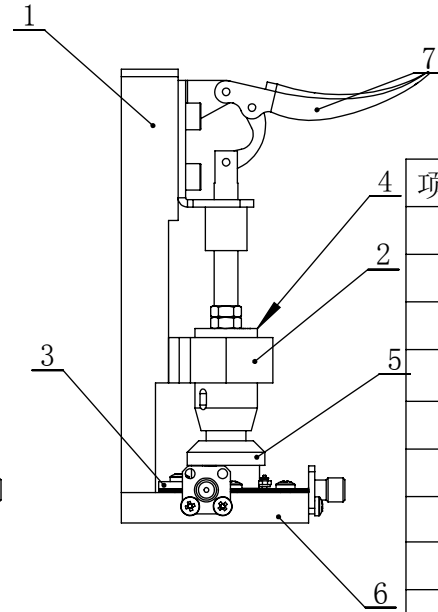
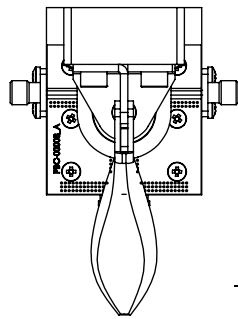
B



C



D



注：4和5之间内置弹簧
(线径1.4x外径10x长度15)

项目号	零件号	说明	数量
1	TFF-00011-02	Fixed Block	1
2	TFF-00002-02	Guide Block	1
3	TFF-00011-03	Limited Block	1
4	TFF-00002-05	Pressure Head Fixing Seat	1
5	TFF-00011-04	Pressure Head	1
6	TFF-00011-01	Test Block	1
7	GH-301-AM	快速夹	1
8	PCB-00008	PCB	1
9	CON-00001 (SMA-F)	CONNECTOR SMA-F	3
10	SCR-00001	SCREW 十字盘头 M2.5X6	10
11	SCR-00002	Screw 内六角圆柱头 M4X20	1
12	NUT-00001	M4 Nut	2
13	SCR-00003	Screw 十字盘头 M2.5X8	2
14	SCR-00004	Screw 内六角圆柱头 M4X8	3
15	SCR-00005	Screw 内六角圆柱头 M3x12	2
16	PRODUCT	Φ18.2 SMT CIRCULATOR	1

PART NAME: 测试夹具	Designed:	ZC. Wu	
	Checked:		
DRAWING NO. : TFF-00011	Approval:		TOLERANCES ON
	The first angle projection:		
DESCRIPTION: TEST FIXTURE	Sheet 1 of 1		ANGLES
	Scale: 1:1	Unit: mm	A4
			±0.20
			±0.5°

1

2

3

4

5

6