

Travelling Merchant: _____

DATASHEET

Standard: T21-S513-25.00MHz-DX

P/N: _____

Plot			The Label
Drew	Audited	Approved	Stamp, please! Thanks!
Date: 2022.10.18			

Guangdong Dapu Telecom Technology Co.,Ltd

Building 5, No.24, Industrial East Road, Songshanhu Park, Dongguan, Guangdong, P.R. China

TEL: 0086-0769-88010888 FAX: 0086-0769-81800098



1、Electrical Parameters

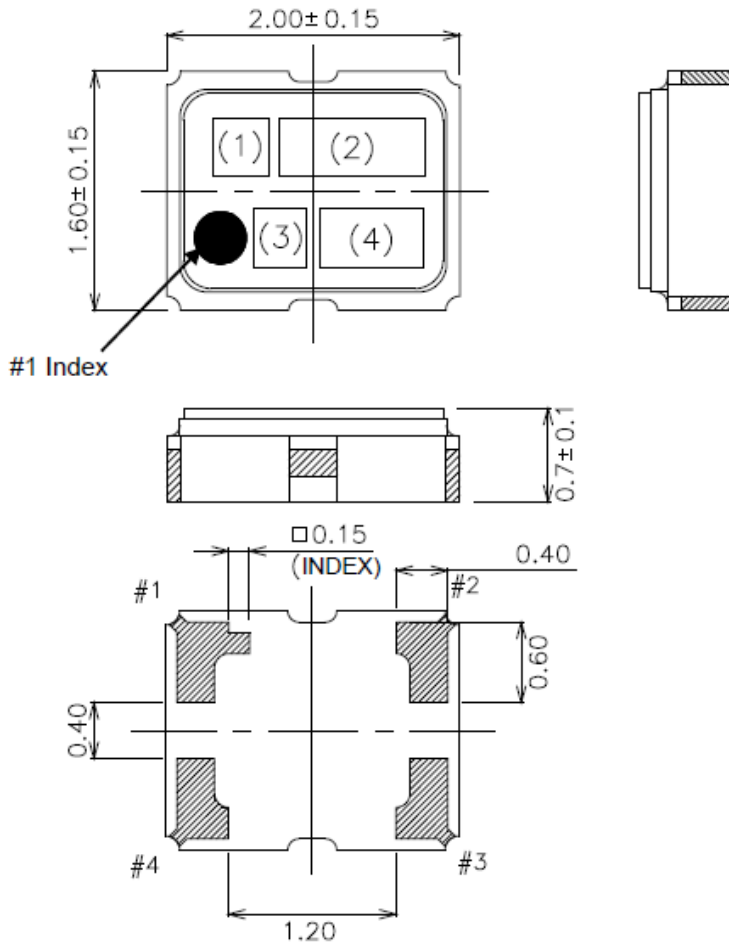
MODEL: T21-S513-25.00MHZ-DX						
Item	Description	Parameters			Unit	Test Condition
		Min.	Typ.	Max.		
Output	Frequency	25.00			MHz	
	Output Waveform	Clipped Sine Wave				
	Vp-p	0.8			V	
	Duty Cycle	40		60	%	GND level (DC-cut)
	Harmonics			-5	dBc	
	Start up			2	ms	@90% of Final Vout level
	Load	10KΩ//10pF				
Frequency Stabilities	Frequency Tolerance vs. Operating Temperature Range	-0.5		+0.5	$\times 10^{-6}$	-40°C to 85°C, $V_c=1.5V$, Ref. to Frequency, $T_A=25^\circ C$.
	Initial Frequency Tolerance	-1.5		+1.5	$\times 10^{-6}$	After 2 times reflow, Ref. to Nominal Frequency, please leave after reflow in 2h or more at room ambient, $T_A=25^\circ C$.
	Frequency Tolerance vs. Supply Voltage	-0.2		+0.2	$\times 10^{-6}$	measurement referenced to frequency observed $T_A=25^\circ C$, $V_{cc}=3.3V \pm 5\%$, $V_c=1.5V$ and $O_{Load}=10K\Omega//10pF$.
	Frequency Tolerance vs. Load	-0.2		+0.2	$\times 10^{-6}$	10% load change measurement referenced to frequency observed with $T_A=25^\circ C$, $V_{cc}=3.3V$, $V_c=1.5V$ and $O_{Load}=10K\Omega//10pF$.
	Aging Tolerance 1 Year	-1		+1	$\times 10^{-6}$	$T_A=$ Room ambient.
Power Supply	Operating Current			1.5	mA	@25°C, $V_{cc}=3.3V$, $V_c=1.5V$, $O_{Load}=10K\Omega//10pF$.
	Supply Voltage	3.135	3.3	3.465	V	
Voltage Control	Frequency tuning range	-15		-10	$\times 10^{-6}$	$V_c=0.5V$. measurement referenced to $V_c=1.5V$.
		-1.5		+1.5	$\times 10^{-6}$	$V_c=1.5V$. measurement referenced to Exactly 25.00MHz.
		+10		+15	$\times 10^{-6}$	$V_c=2.5V$. measurement referenced to $V_c=1.5V$.
	Slope	Positive				
	Input Impedance	500			KΩ	



Phase Noise	Phase Noise @25°C		-85	-80	dBc/Hz	10Hz
			-110	-105		100Hz
			-135	-130		1KHz
			-150	-145		10KHz
			-153	-148		100KHz
			-154	-149		1MHz
Environmental Conditions	Operable Temperature	-40		+85	°C	
	Storage Temperature	-40		+85	°C	
	ESD Level	Human Body Model,class2: 2000V to 4000V; ANSI/ESDA/JEDEC JS-001-2010.				
		Machine Model, class B: 200V to 400V; JEDEC JESD22-A115C.				
	Moisture Sensitivity Level	Level 1.				
	Vibration	Test Condition: 0.75mm ;acceleration:10g;10Hz~2000Hz, one cycle per 30 min, test 2 hour. (3 times for each 3 directions X ,Y , Z) .IEC 68-2-06 Test Fc.				
Shock	100g; 6ms; half sine wave (3 times for each 3 directions X ,Y , Z),IEC 68-2-27 Test Ea/Severity 50A.					



2、 Mechanical Structure(mm)



Pin Connections

Pin No.	Connection
#1	V _{cont}
#2	GND
#3	Output
#4	V _{cc}

Marking

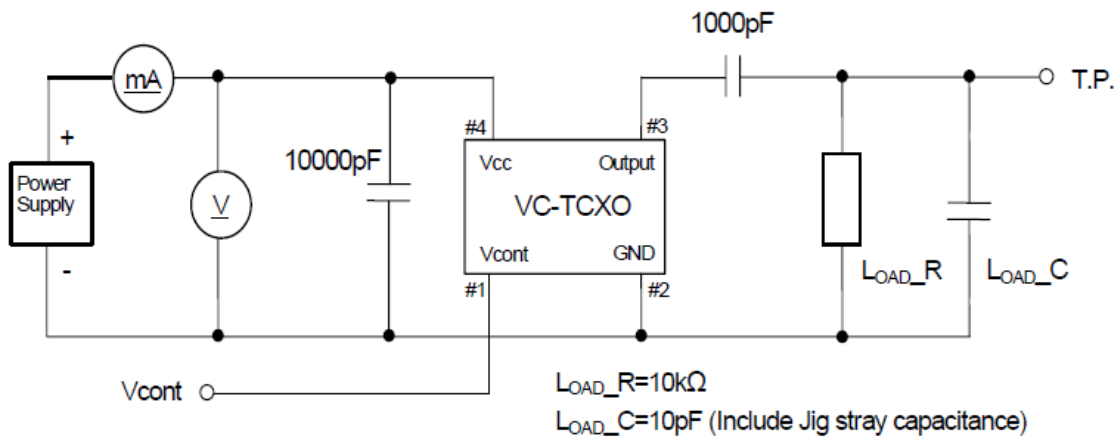
- (1) Model code AN
- (2) Frequency 25. 0 (MHz, 3digits)
- (3) Logo D
- (4) Date code Year (1digit) +Week (2digits)
e.g.2015/1/1 → 501

unit: mm

Dimensional Tolerance: ±0.1

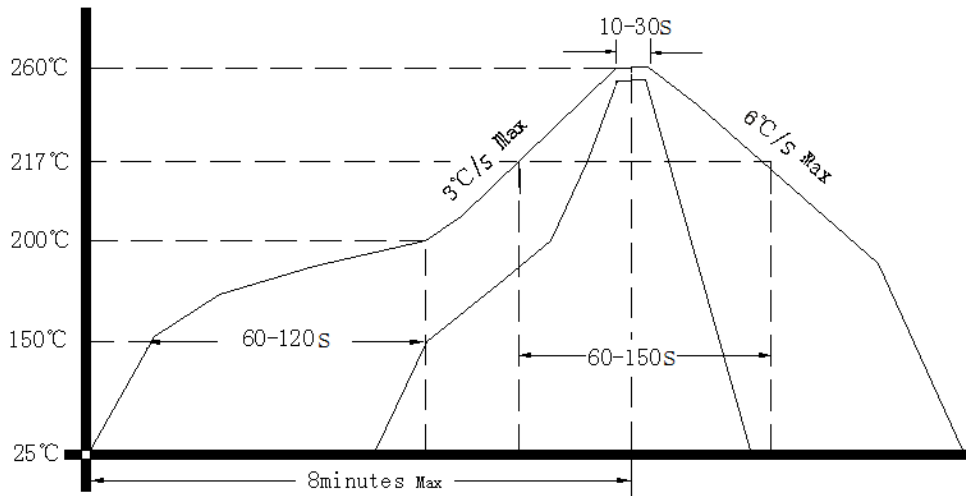
(Unless otherwise noted)

3、 Test Circuit





4、 Reflow Soldering Curve (RoHS)



5、 Package: Tape & Reel (mm)

