

Customer Code: _____

DATASHEET

DAPU P/N: **DPCA15625311**

Plot			The Label
Drew	Audited	Approved	
Date: 2023.03.20			Stamp, please! Thanks!

Guangdong Dapu Telecom Technology Co.,Ltd

Building 5, No.24, Industrial East Road, Songshanhu Park, Dongguan, Guangdong, P.R. China

TEL: 0086-0769-88010888 FAX: 0086-0769-81800098

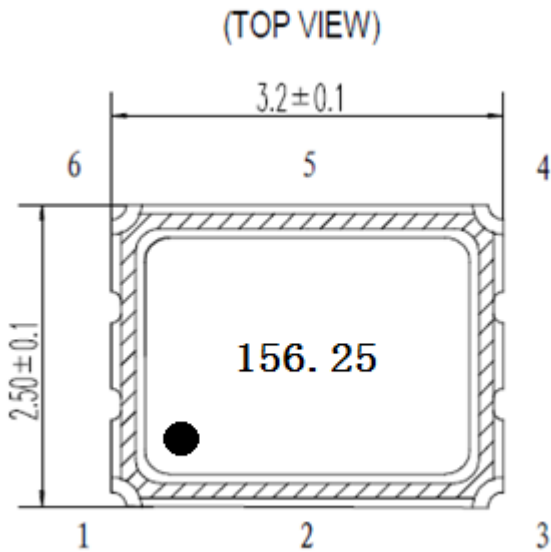


1、Electrical Parameters

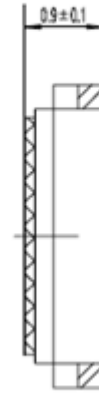
MODEL: DPCA15625311							
No.	Parameters	SYM.	Electrical Spec.				Notes
			Min.	Typ.	Max.	Units	
1	Nominal Frequency	FL	156.2531			MHz	
2	Vibration Mode		3 rd				
3	Output		LVPECL				
4	Supply Voltage		2.97	3.3	3.63	V	
5	Frequency Tolerance		-20		+20	ppm	$\Delta f/f_0$, @25°C
6	Vs.Temperature		-30		+30	ppm	$\Delta f/f$ 25°C
7	Operating Temperature	T-opr	-40	+25	+85	°C	
8	Storage Temperature	T-stg	-55	~	+125	°C	
9	Supply Current	I _{cc}			60	mA	
10	Rise/Fall Time	T _r 、T _f			0.4	ns	20%~80%
11	Start up Time	T _{start}			10	ms	
12	Duty Cycle	DC	45		55	%	@V _{cc} -1.3V
13	Maximum Supply Voltage Range	V _{cc}	-0.5		5.0	V	
14	“H” Input Voltage	V _{IH}	0.7V _{cc}			V	
15	“L” Input Voltage	V _{IL}			0.3V _{cc}	V	
16	Output Voltage “L”Level	V _{OL}	V _{cc} -1.81		V _{cc} -1.62	V	R _L =50 ohms to (V _{cc} -2V)
17	Output Voltage “H”Level	V _{OH}	V _{cc} -1.085		V _{cc} -0.88	V	
18	E/D	Logic “1”or Floating input, Outputs enable, logic “0”, Outputs disable.					
19	First Year Aging		-3		+3	ppm	@25°C
20	Jitter	RMS			0.2	ps	12kHz ~ 20MHz



2、Mechanical Structure(mm)



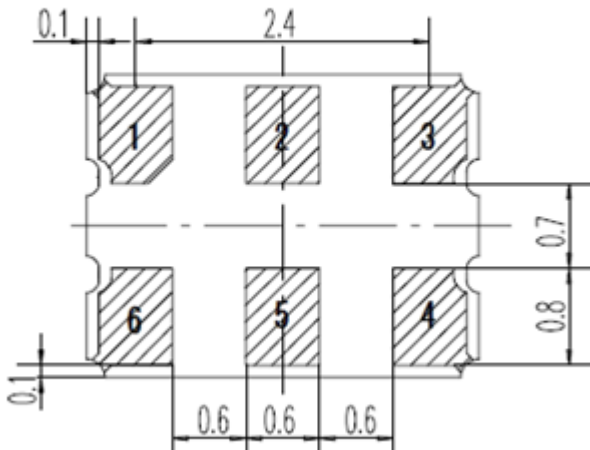
(SIDE VIEW)



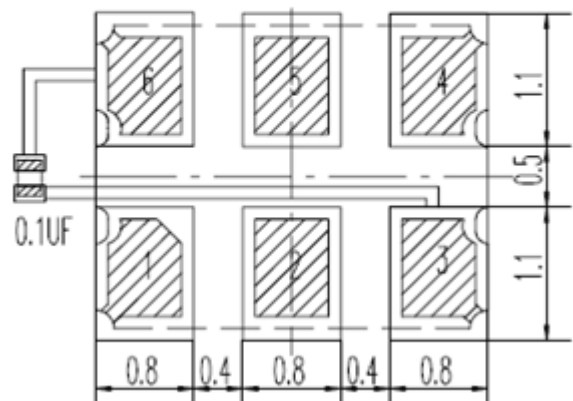
PAD FUNCTION

- 1: Enable/Disable
- 2: NC
- 3: GND
- 4: OUT
- 5: OUTN
- 6: VDD

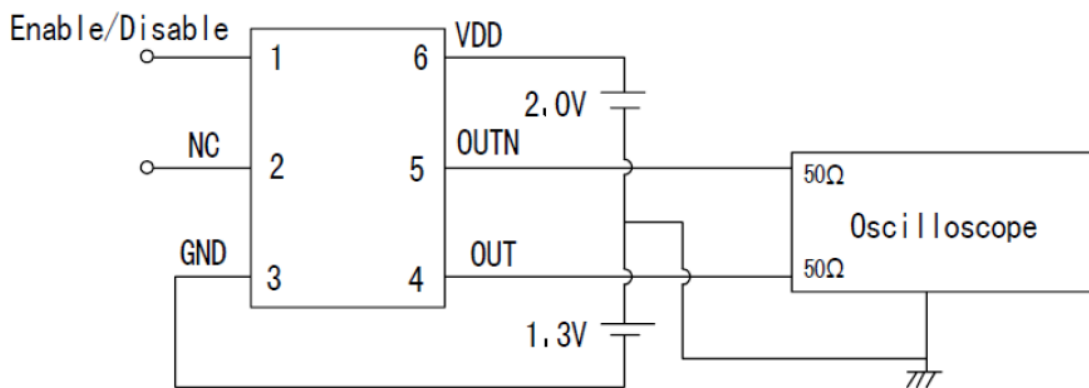
(BOTTOM VIEW)



(Recommended Pattern)

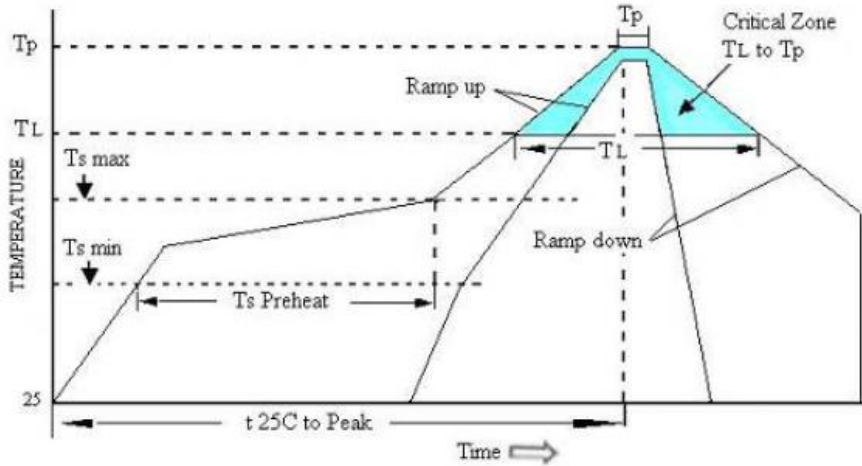


3、TEST CIRCUIT





4、 Reflow Soldering Curve (RoHS)



High Temperature Infrared /Convection

Note: Temperature shown are applied to body of device

Ts max to TL(Ramp-up Rate)	3°C/second max
Preheat	
Temperature Min(Ts Min)	150°C
Temperature Typical(Ts Typ)	175°C
Temperature Max.(Ts Max)	200°C
Time(ts)	60-180 seconds
Ram-up Rate(TL to Tp)	3°C/second Max
Time Maintained Above:	
--Temperature(TL)	217°C
--Time(TL)	60-150seconds
Peak Temperature (Tp)	260°C Max for 10 seconds
Time within 5°C of actual peak(tp)	20-40 seconds
Ramp-down Rate	6°C/seconds Max
Tune 25°C to Peak Temperature(t)	8 minutes Max
Moisture Sensivity Level	Level 1

5、 Package: Tape & Reel (mm)

