

Travelling Merchant: _____

DATASHEET

Standard: **DPAF32768009**

Plot			The Label
Drew	Audited	Approved	Stamp, please! Thanks!
Date: 2022.02.11			

Guangdong Dapu Telecom Technology Co.,LTD

Building 5, No.24, Industrial East Road, Songshanhu Park, Dongguan, Guangdong, P.R. China

TEL: 0086-0769-88010888 FAX: 0086-0769-81800098

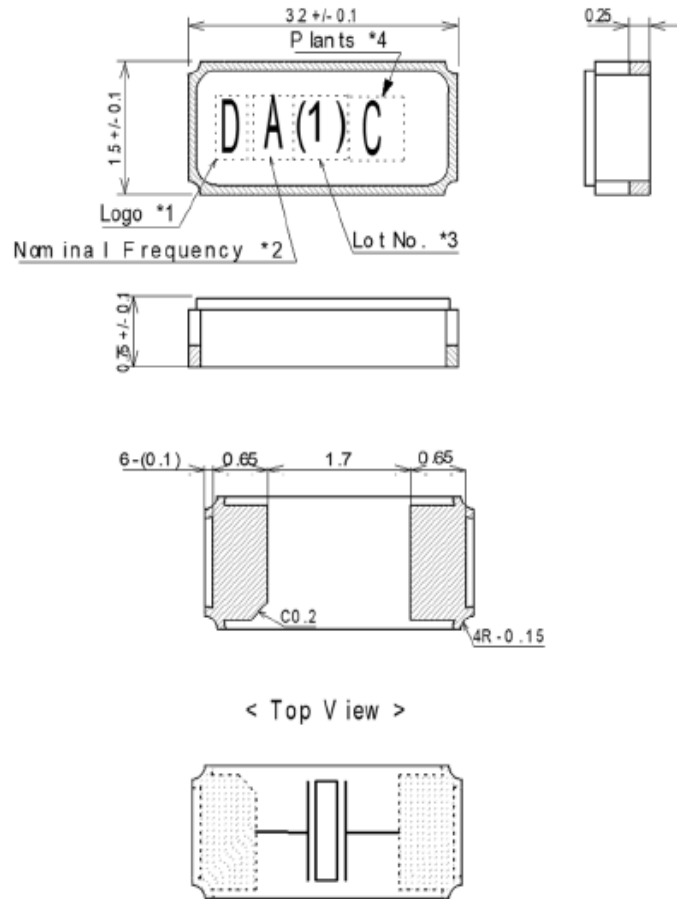


1. Electrical Parameters

MODEL: DPAF32768009							
No.	Parameters	SYM.	Electrical Spec.				Notes
			Min.	Typ.	Max.	Units	
1	Nominal Frequency	FL	32.768			KHz	
2	Oscillation Mode	-	Fundamental			-	
3	Load Capacitance	CL	12.5			pF	
4	Frequency Tolerance	-	-20		+20	$\times 10^{-6}$	at +25 +/-3°C
5	Turning Point		20	25	30	°C	
6	ESR				80	KΩ	
7	Parabolic Coefficient	-			-0.04	ppm/°C ²	
8	Operating Temperature	-	-40		+125	°C	
9	Storage Temperature Range	-	-40		+125	°C	
10	Aging Per Year	-	-3		+3	$\times 10^{-6}$	at 25 °C
11	Drive Level	DL		0.2	1	μW	
12	Insulation Resistance	-	500	-	-	MΩ	At DC 100V+/-15V
13	Shunt Capacitance	C ₀		1.3		pF	



2. Mechanical Structure



unit : mm

Tolerance ± 0.1

Fig.-1

2.2. MARKING

Marking should be printed as follows:

Logo(*1), Nominal Frequency(*2), Lot No.(*3), Plants(*4)

*1 Manufacturer's trademark shall be marked 'D' as Logo.

*2 In case of 32.768kHz, nominal frequency shall be marked 'A'.

*3 Lot No. shall be marked three figures.

(1) Year: The last digit of the year.

Week: We gave the sequence of week numbers 01 (first week) for production date.

There are starting from 1st of Jan.

However, add '0' figure to the first week during the 9th weeks.

The week means are from Sunday to Saturday.

ex. Manufactured day: 2022.01.01



2 01
Year Week



3. Package: Tape & Reel

(1)Dimensions of Emboss carrier tape

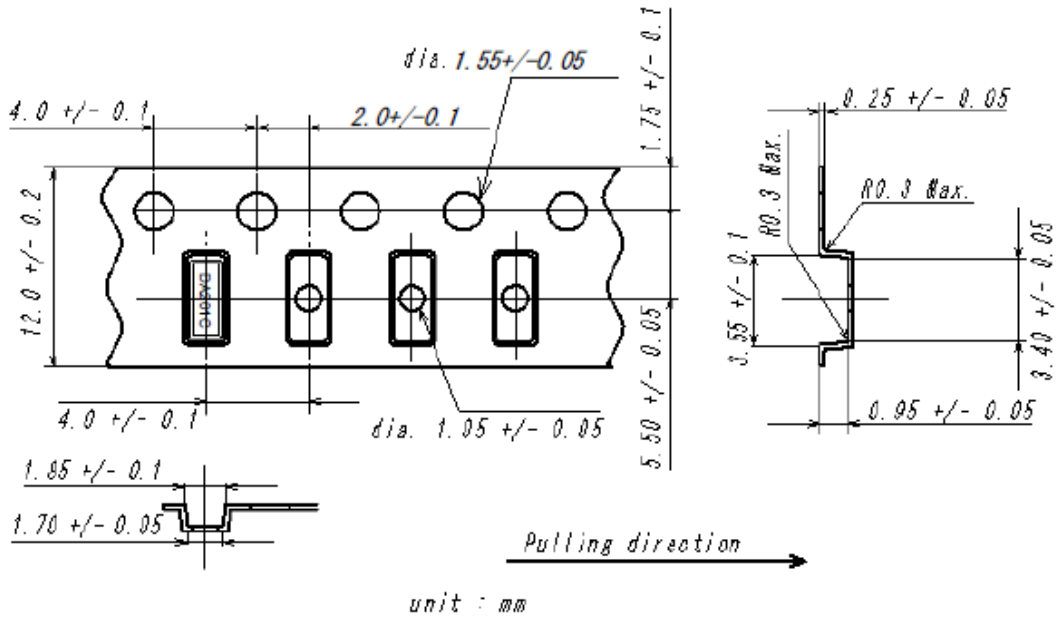


Fig.-2

(2)Dimensions of tape reel

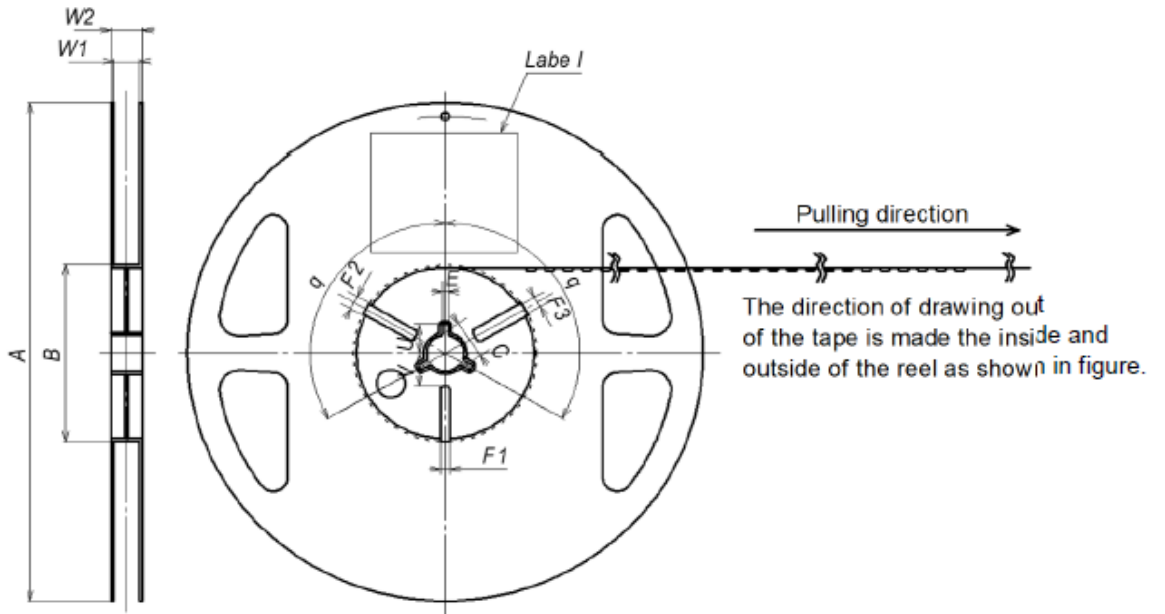


Fig.-3