

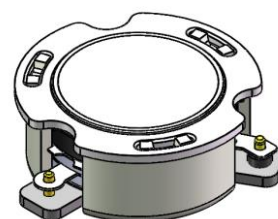


DP2377C

ENG PART:DP-20.4CM-2456T2730-CW

2456MHz to 2730MHz Single-Junction Surface Mount Circulator

REV.	DESCRIPTION	REVISOR	DATE	APPROVED
1	Creating datasheet	ZC.Wu	2023/1/17	Nick

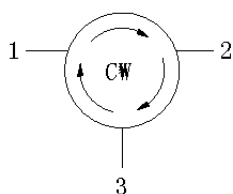


Applications:

- Wireless Infrastructure
- Power Amplifier

Features:

- Operating frequency range: 2456MHz to 2730MHz
- Operating temperature range: -40°C to +125°C
- Storage temperature range: -50°C to +150°C
- Small surface-mount package delivered on T&R
- BeOfree&RoHS compliant



Block Diagram



Electrical Specifications:

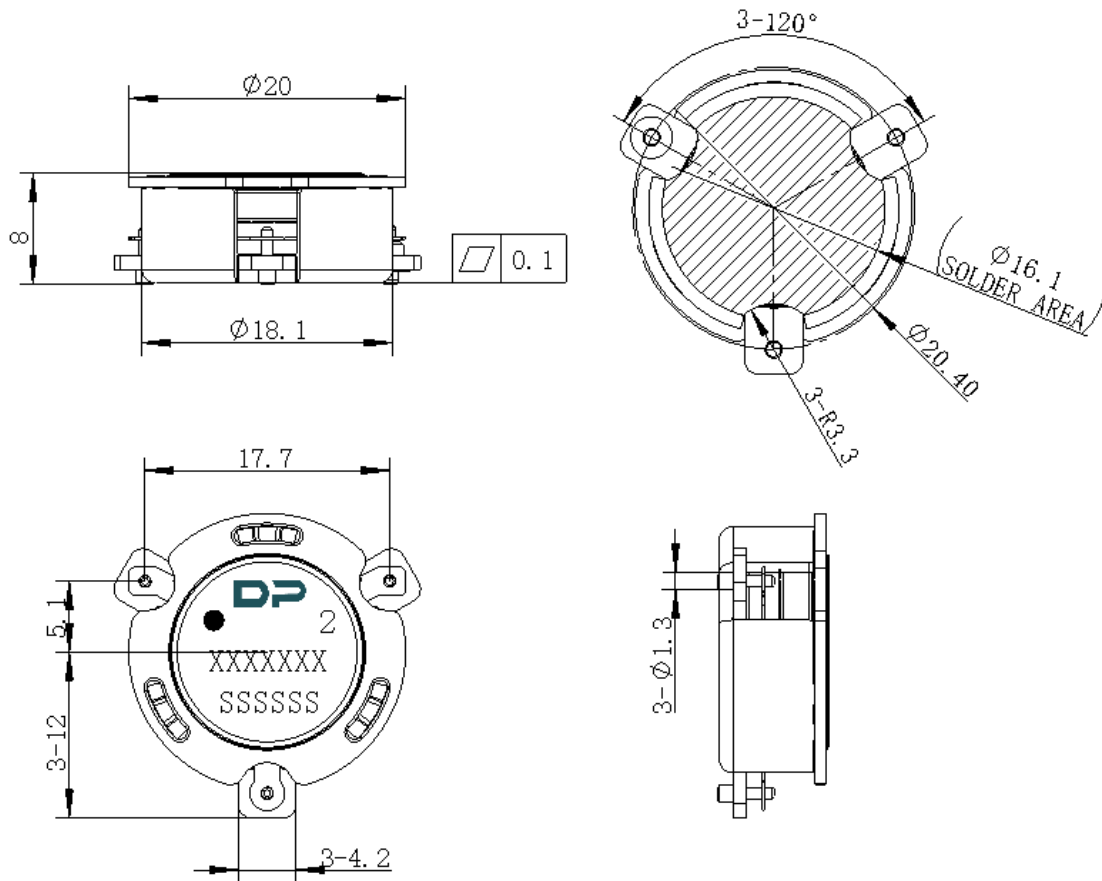
ITEM	SPECIFICATION	
Frequency	2456~2730	MHz
Direction	CW	
Impedance	Typ: 50	Ω
Insertion Loss (Max.)	0.35@-40~+105 $^{\circ}$ C 0.40@+105~+125 $^{\circ}$ C	dB
Insertion loss Ripple (Max.)	-	dB
Isolation (Min.) (P2-P1)	25@-40~+105 $^{\circ}$ C 23@+105~+125 $^{\circ}$ C	dB
Return Loss (Min.)(P1、P2、P3)	25@-40~+105 $^{\circ}$ C 23@+105~+125 $^{\circ}$ C	dB
3rd IMD (Max.)	-70@2x44dBm ,Spacing 5MHz (2496MHz/2501 MHz; 2500.5 MHz/2505.5 MHz; 2685 MHz/2690 MHz)	dBc
Group delay	-	ns
Phase flatness	1	$^{\circ}$
2nd attenuation	-	dB
3rd attenuation	-	dB
Power FWD/REV/PEAK	50/50/300	W
Termination/Attenuator	/	W/dB

Notes:

1. Exposure to maximum rating conditions for extended periods may reduce device reliability. There is no damage to device with only one parameter set at the limit and all other parameters set at or below their nominal value. Exceeding any of the limits listed here may result in permanent damage to the device.
2. Performance is guaranteed under the conditions listed in this table and over the operating temperature range.



3. Mechanical Specifications:



Unit: Millimeters

Notes:

1. The housing and pins are silver-plated.
2. Tolerance ± 0.2 mm unless otherwise specified.
3. Co-planarity Specification: 0.1mm maximum.
4. Part Number, Lot Code, and Port Designation are printed on the top side of device.
5. The XXXXXXXX on the label represents the part number
6. The SSSSSS on the label represents the serial number
7. The black dot on the label represents the input port