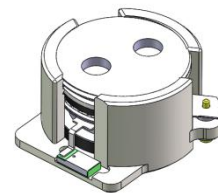




DP0221S

1805MHz to 2170MHz Single-Junction Surface Mount Isolator

REV.	DESCRIPTION	REVISOR	DATE	APPROVED
A	Creating datasheet	ZC.Wu	2020/04/27	Nick
B	Replace the number 1 on the input port of the label with a black dot	ZC.Wu	2020/04/27	Nick

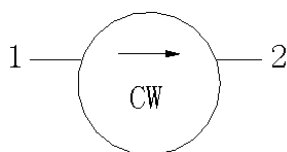


Applications:

- Wireless Infrastructure
- Power Amplifier

Features:

- Operating frequency range: 1805MHz to 2170MHz
- Operating temperature range: -40°C to +120°C
- Storage temperature range: -40°C to +150°C
- Small surface-mount package delivered on T&R
- BeO free & RoHS compliant



Block Diagram



Electrical Specifications:

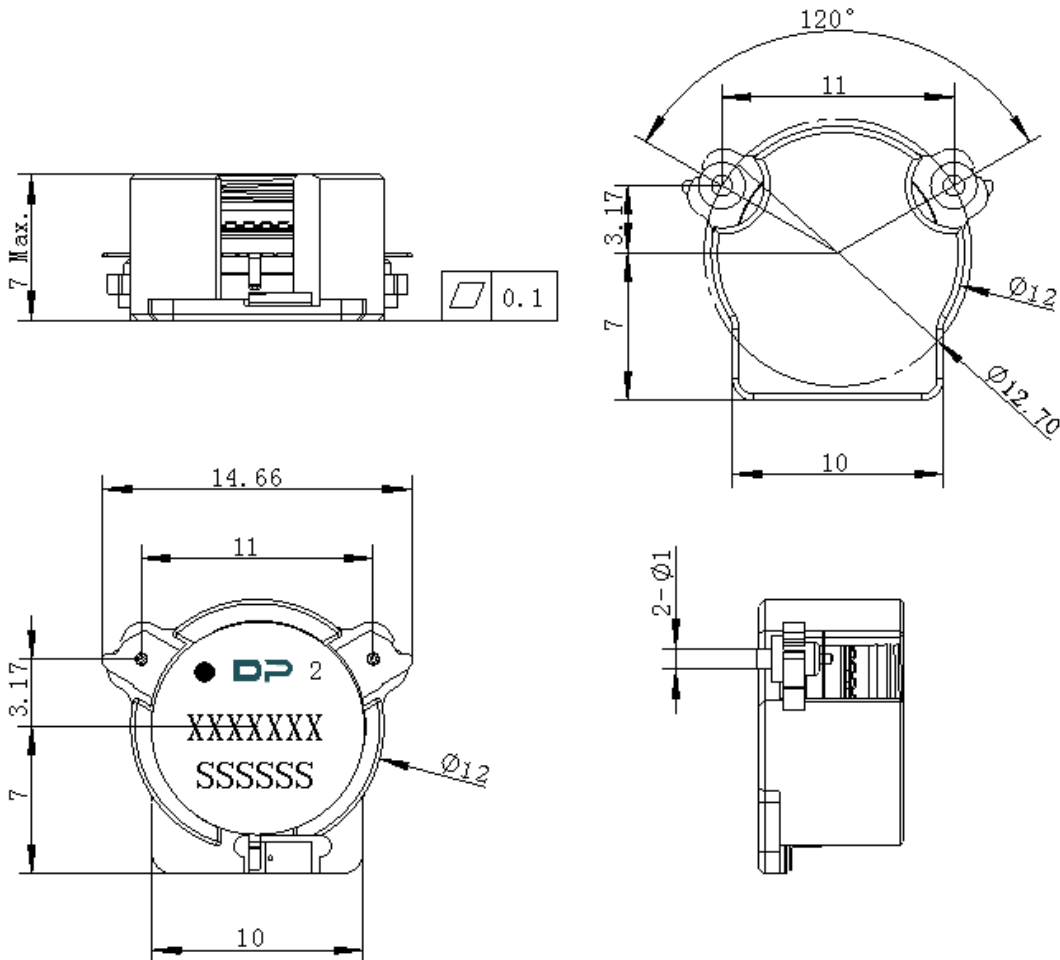
ITEM	SPECIFICATION	
Frequency	1805~2170	MHz
Direction	CW	
Impedance	Typ: 50	Ω
Insertion Loss (Max.)	0.68	dB
Isolation (Min.)	15@1805~2170MHz 10@1705~2270MHz 8 @1655~2300 MHz	dB
Return Loss (Min.)	15	dB
3rd IMD (Max.)	-50@2x15W CW tones, 1MHz spacing	dBc
Extend frequency	1655~2300	MHz
Group delay	2	ns
Resonance point of out-of-band	Resonance point away 1675 MHz to 2300 MHz	MHz
2nd harmonic suppression	10	dBc
3rd harmonic suppression	5	dBc
Power FWD/REV/PEAK	20/4/160	W
Termination/Attenuator	20/-	W/dB
Phase difference of all products @S21	10	°
Phase difference of the same carrier package product@ S21	5	°
Input Impedance ,real	34 Min 50 Typ 70 Max	Ω
Input Impedance ,imaginary	-13j Min +13j Max	Ω
Output Impedance ,real	34 Min 50 Typ 70 Max	Ω
Output Impedance ,imaginary	-13j Min +13j Max	Ω

Notes :

1. Exposure to maximum rating conditions for extended periods may reduce device reliability. There is no damage to device with only one parameter set at the limit and all other parameters set at or below their nominal value. Exceeding any of the limits listed here may result in permanent damage to the device.
2. Performance is guaranteed under the conditions listed in this table and over the operating temperature range.
3. Performance will not degrade by > 10% (Insertion loss > 20%) with an operating temperature of up to 130 °C.



Mechanical Specifications:



Unit : Millimeters

Notes:

1. The housing and pins are silver-plated.
2. Tolerance ± 0.2 mm unless otherwise specified.
3. Co-planarity Specification: 0.1 mm maximum.
4. Part Number, Lot Code, and Port Designation are printed on the top side of device.
5. Part Number format shall be XXXXXXXX
6. Serial Number format shall be SSSSSS

Packaging Style:



ITEM	W	A0	B0	K0	D	E	F	F2	P	P0	P2	T
DIM	32	13.4	12.4	7.4	Φ1.5	1.75	14.2	28.5	24	4	2	0.5
TOLE	±0.3	±0.2	±0.2	±0.2	+0.1	±0.1	±0.15	±0.1	±0.1	±0.1	±0.1	±0.05

