

5mm SMD ISOLATOR

RF component

Datasheet No.:

Date: 2022.06.30

Customer:

Product Name:

DP-IL0520A1747

DP-IL0520B1747

Customer P/N:



GuangdongDapuTelecomTechnologyCo.,Ltd
<http://www.dptel.com>

Building5, No.24, Gongye East Road,
SSL Sci & Tech Industry Park,
Dongguan, Guangdong, China
TEL: 0086-0769-88010888
FAX: 0086-0769-81800098

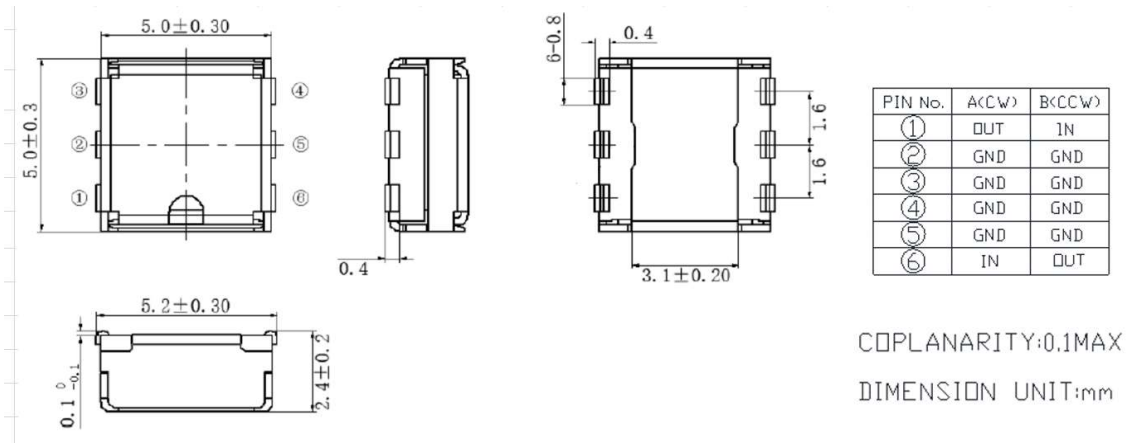
| Approved | Checked | Designer |
|----------|---------|----------|
| Nick | Wison | ZC.Wu |

5mm SMD ISOLATOR

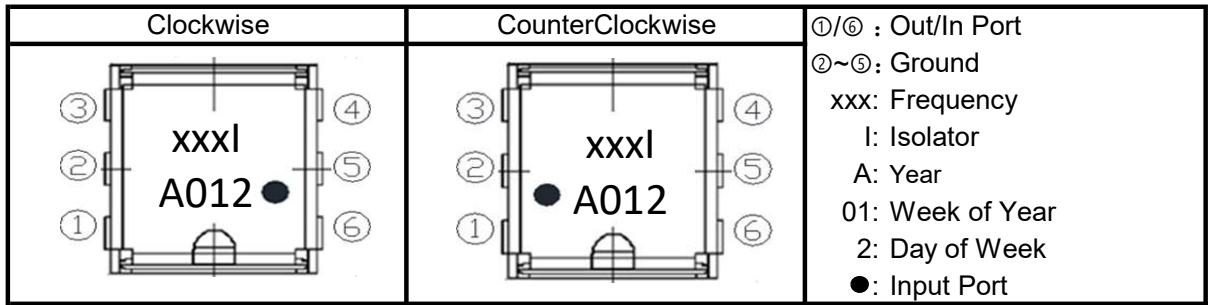
RF component

Datasheet No.: 0
 Date: 2022.06.30

MECHANICAL SPECIFICATION



MARKING



| Year Code | |
|-----------|------|
| Year | Code |
| 2019 | A |
| 2020 | B |
| 2021 | C |
| 2022 | D |
| 2023 | E |
| 2024 | F |
| ... | ... |

| Week Code | |
|-----------|------|
| Week | Code |
| 1 | 01 |
| 2 | 02 |
| 3 | 03 |
| 4 | 04 |
| 5 | 05 |
| 6 | 06 |
| ... | ... |

| Day Code | |
|-----------|------|
| Day | Code |
| Monday | 1 |
| Tuesday | 2 |
| Wednesday | 3 |
| Thursday | 4 |
| Friday | 5 |
| Saturday | 6 |
| Sunday | 7 |

5mm SMD ISOLATOR

RF component

Datasheet No.: 0
 Date: 2022.06.30

TEMPERATURE RANGE

Operating temperature range : -40~+85°C
 Storage temperature range:-55~+125°C

ELECTRICAL CHARACTERISTICS

| Parameter | Unit | Frequency (MHz) | | DP Spec | | |
|--------------------------------|------|-----------------|------|---------|------|------|
| | | | | Min. | Typ. | Max. |
| Frequency range | MHz | 1710 | 1785 | 1710 | | 1785 |
| Insertion Loss | dB | - | - | | | 0.80 |
| Isolation | dB | - | - | 13 | | |
| Return Loss | dB | - | - | 13 | | |
| Power Handling | W | | | | | 5 |
| Reflection power | W | | | | | 2 |
| Characteristic Impedance (ohm) | Ω | | | | 50 | |
| Case Style | - | | | | SMD | |

NOTES

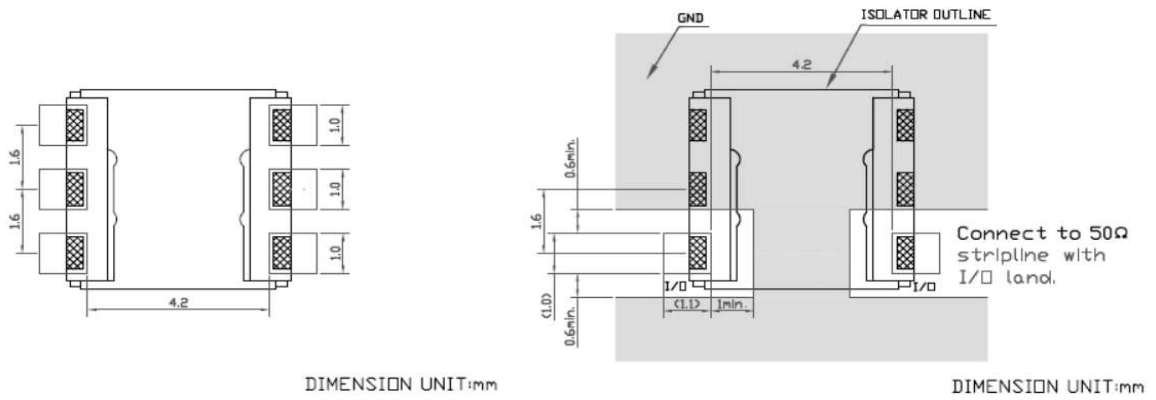
1. Recommend to keep 30mm above when mounted with other magnetic products.
2. RoHS compliance.
3. Isolator's characteristics are guaranteed at conditions listed at above table and it's operating temperature range.

5mm SMD ISOLATOR

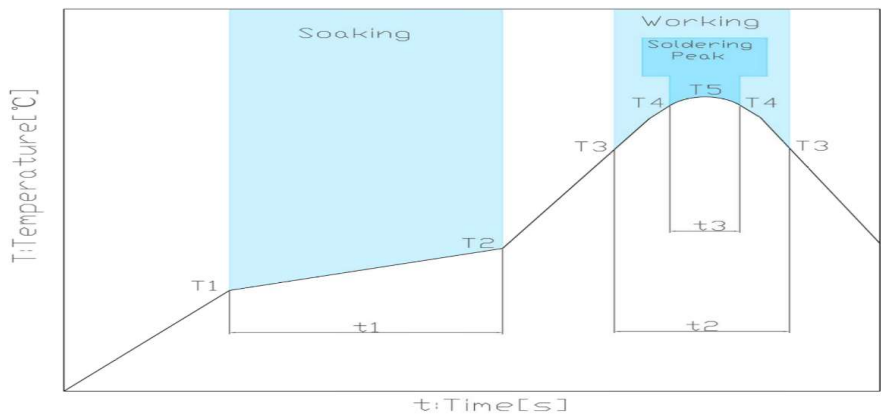
RF component

Datasheet No.: 0
 Date: 2022.06.30

RECOMMENDED LAND PATTERN



RECOMMENDED REFLOW PROFILE



| Soaking | | | Working | | Soldering Peak | | |
|---------|-------|------------|---------|-----------|----------------|------------|------------|
| Temp. | Temp. | Time | Temp. | Time | Temp. | Time | Temp. |
| T1 | T2 | t1 | T3 | t2 | T4 | t3 | T5 |
| 150°C | 180°C | 60 to 120s | 230°C | 30 to 60s | 250°C | within 10s | 260°C max. |

5mm SMD ISOLATOR

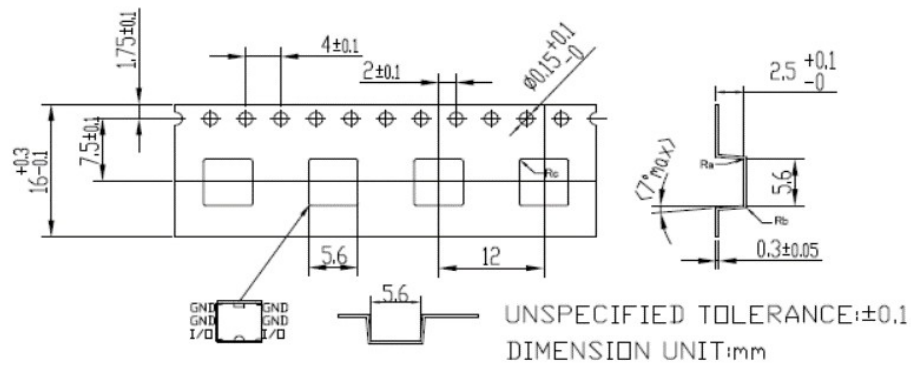
RF component

Datasheet No.: 0
 Date: 2022.06.30

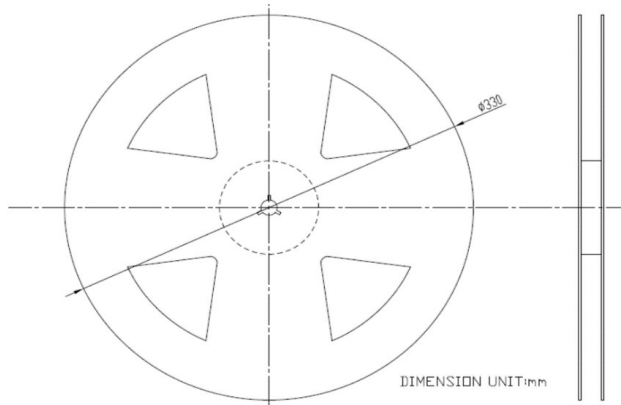
PACKING STYLE

REEL DIMENSIONS

Reel side \longrightarrow Pulling side



TAPE DIMENSIONS



PACKAGE QUANTITY

1000 PCS/REEL

5mm SMD ISOLATOR

RF component

Datasheet No.: 0
 Date: 2022.06.30

Revision Records

| Rev. | Date | PIC | Change item | Reasons for change |
|------|------------|-------|-----------------------|--------------------|
| 1 | 2021.06.24 | Nina | New regulations | |
| 2 | 2022.06.30 | ZC.Wu | Dimension and marking | |
| 3 | | | | |
| 4 | | | | |
| 5 | | | | |
| 6 | | | | |
| 7 | | | | |
| 8 | | | | |