

Travelling Merchant: _____

DATASHEET

Standard: **T21-S563-28.925MHz**

| Plot | | | The Label |
|------------------|---------|----------|------------------------|
| Drew | Audited | Approved | Stamp, please! Thanks! |
| | | | |
| Date: 2022.07.12 | | | |

Guangdong Dapu Telecom Technology Co.,Ltd

Building 5, No.24, Industrial East Road, Songshanhu Park, Dongguan, Guangdong, P.R. China

TEL: 0086-0769-88010888 FAX: 0086-0769-81800098

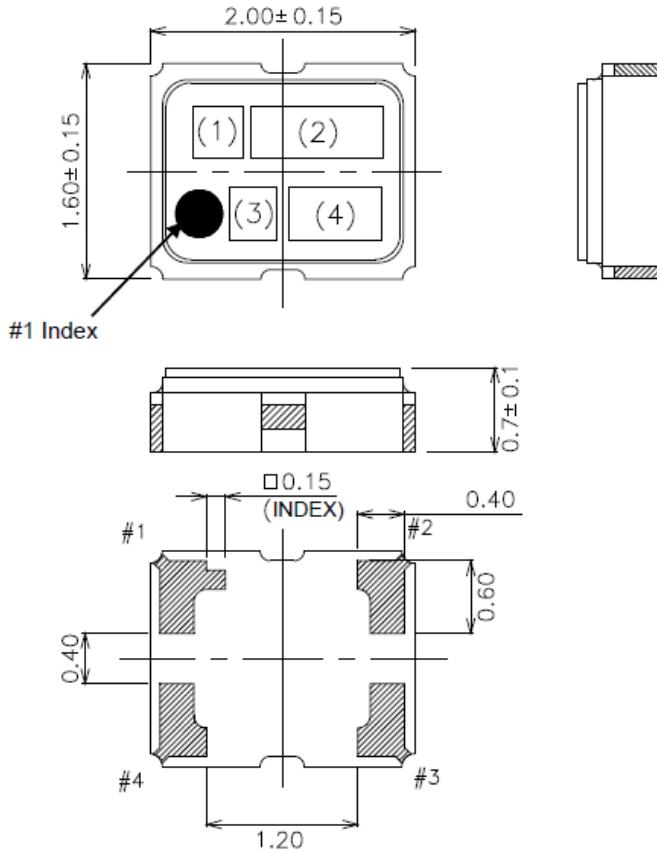


1、 Electrical Parameters

| MODEL: T21-S563-28.925MHz | | | | | | | |
|---------------------------|-----------------------------|--------------------|-------------------|------|------|------------------|--|
| No. | Parameters | SYM. | Electrical Spec. | | | | Notes |
| | | | Min. | Typ. | Max. | Units | |
| 1 | Nominal Frequency | FL | 28.925 | | | MHz | One frequency-division |
| 2 | Supply Voltage | VDD | 2.85 | 3.0 | 3.15 | V | |
| 3 | Current Drain | - | - | - | 1.5 | mA | |
| 4 | Output Level | - | 0.8 | - | - | Vp-p | |
| 5 | Duty Cycle | - | 40 | ~ | 60 | % | |
| 6 | Start Up Time | - | - | - | 2.0 | ms | @90% of final Vout level |
| 7 | Output Waveform | - | Clipped Sine wave | | | - | |
| 8 | Standard Output Load | - | 10KΩ//10pF | | | - | |
| 9 | Frequency Stability | vs.Tolerance | -1.5 | - | +1.5 | $\times 10^{-6}$ | After 2 times reflow Ref. to Nominal Frequency |
| 10 | | vs. Temperature | -2.0 | - | +2.0 | $\times 10^{-6}$ | T _A varied from -30°C to +85°C, Ref. to Frequency T _A =25°C |
| 11 | | vs. Load | -0.2 | - | +0.2 | $\times 10^{-6}$ | LOAD_R//C=(10kΩ//10pF)±10% |
| 12 | | vs. Supply Voltage | -0.2 | - | +0.2 | $\times 10^{-6}$ | V _{cc} =+3.0V±5% |
| 13 | Operating Temperature Range | - | -30 | ~ | +85 | °C | |
| 14 | Storage Temperature | - | -40 | ~ | +85 | °C | |
| 15 | Aging | - | -1.0 | - | +1.0 | $\times 10^{-6}$ | 1st Year |
| 16 | Frequency Tuning Range | - | -15 | - | -9 | $\times 10^{-6}$ | V _c = 0.5 V. measurement referenced to V _c =1.5V |
| 17 | | - | +9 | - | +15 | $\times 10^{-6}$ | V _c =2.5V.measurement referenced to V _c =1.5V |
| 18 | Linearity | - | - | - | 10 | % | |
| 19 | Slope | | Positive | | | | |
| 20 | Input Impedance | - | 500 | - | - | KΩ | |
| 21 | Phase Noise | - | - | - | -85 | dBc/Hz | @ 10Hz Offset |
| | | | | | -110 | | @ 100Hz Offset |
| | | | | | -130 | | @ 1kHz Offset |
| | | | | | -140 | | @ 10kHz Offset |
| | | | | | -145 | | @ 100kHz Offset |
| | | | | | -145 | | @ 1MHz Offset |



2、 Mechanical Structure(mm)



Pin Connections

| Pin No. | Connection |
|---------|-------------------|
| #1 | V _{cont} |
| #2 | GND |
| #3 | Output |
| #4 | V _{CC} |

Marking

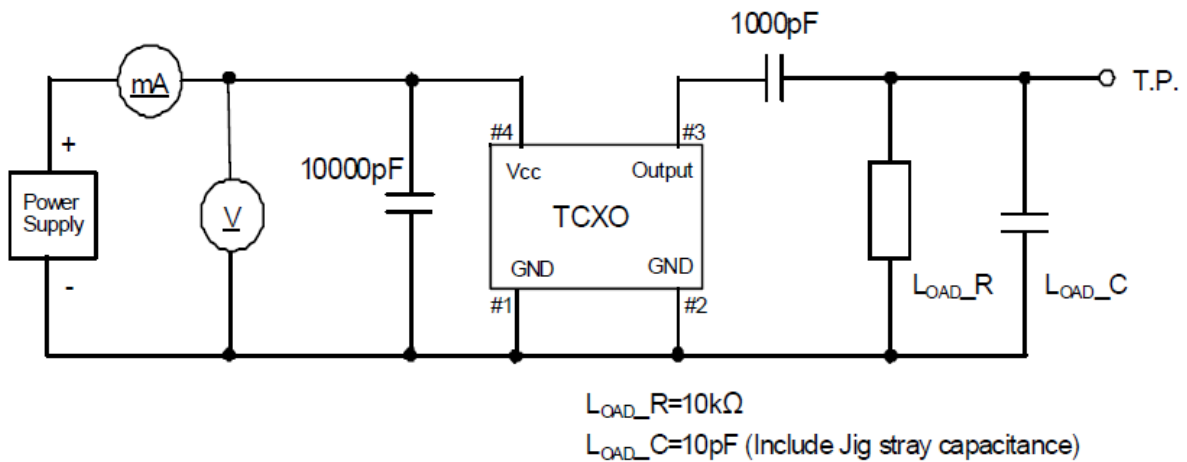
| | |
|----------------|-------------------------------|
| (1) Model code | AN |
| (2) Frequency | 28.9 (MHz, 3digits) |
| (3) Logo | D |
| (4) Date code | Year (1digit) +Week (2digits) |
| | e.g.2015/1/1 → 501 |

unit: mm

Dimensional Tolerance: ±0.1

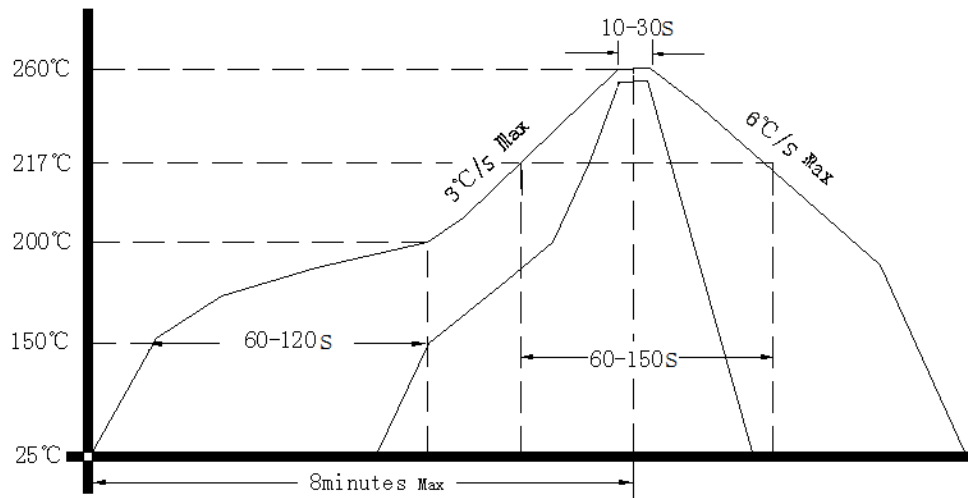
(Unless otherwise noted)

3、 Test Circuit





4、 Reflow Soldering Curve (RoHS)



5、 Package: Tape & Reel (mm)

