

Travelling Merchant: _____

DATASHEET

Standard: DP7W30000002

Plot			The Label
Drew	Audited	Approved	Stamp, please! Thanks!
Date: 2022.09.19			

Guangdong Dapu Telecom Technology Co.,Ltd

Building 5, No.24, Industrial East Road, Songshanhu Park, Dongguan, Guangdong, P.R. China

TEL: 0086-0769-88010888 FAX: 0086-0769-81800098

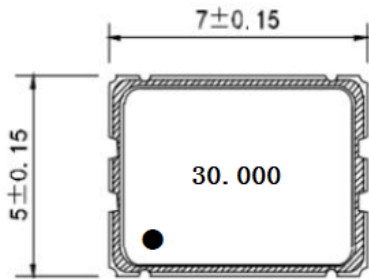


1、Electrical Parameters

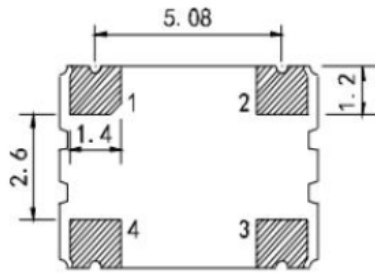
MODEL: DP7W3000002							
No.	Parameters	SYM.	Electrical Spec.				Notes
			Min.	Typ.	Max.	Units	
1	Nominal Frequency	FL	30.000			MHz	
2	Frequency Tolerance		-20		+20	$\times 10^{-6}$	
3	Frequency Stability	-	-70	~	+70	$\times 10^{-6}$	
4	Operating Temperature	Topr	-55	~	+125	$^{\circ}\text{C}$	
5	Storage Temperature	Tstg	-55	~	+125	$^{\circ}\text{C}$	
6	Supply Voltage	VDD	1.8 \pm 10%			V	
7	Input Current	Icc	-	-	10	mA	
8	Output waveform	-	HCMOS			-	
9	Output Load: CMOS	CL	15			pF	
10	Output Voltage High	VoH	90%Vdd	-	-	V	
11	Output Voltage Low	Vol	-	-	10%Vdd	V	
12	Rise/ Fall Time	Tr/ Tf	-	-	5	ns	10%~90%Vdd Level
13	Symmetry (Duty ratio)	TH/T	45	50	55	%	
14	Start-up Time	Tosc	-	-	2	ms	
15	Aging	-	-3		+3	$\times 10^{-6}/\text{yr.}$	First Year



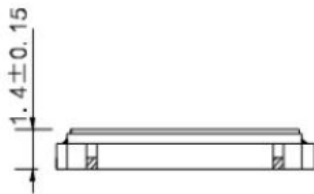
2、Mechanical Structure(mm)



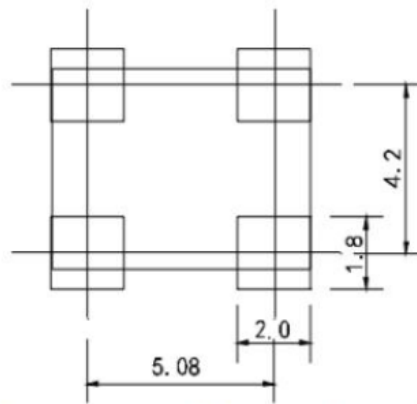
[TOP VIEW]



[BOTTOM VIEW]



[SIDE VIEW]

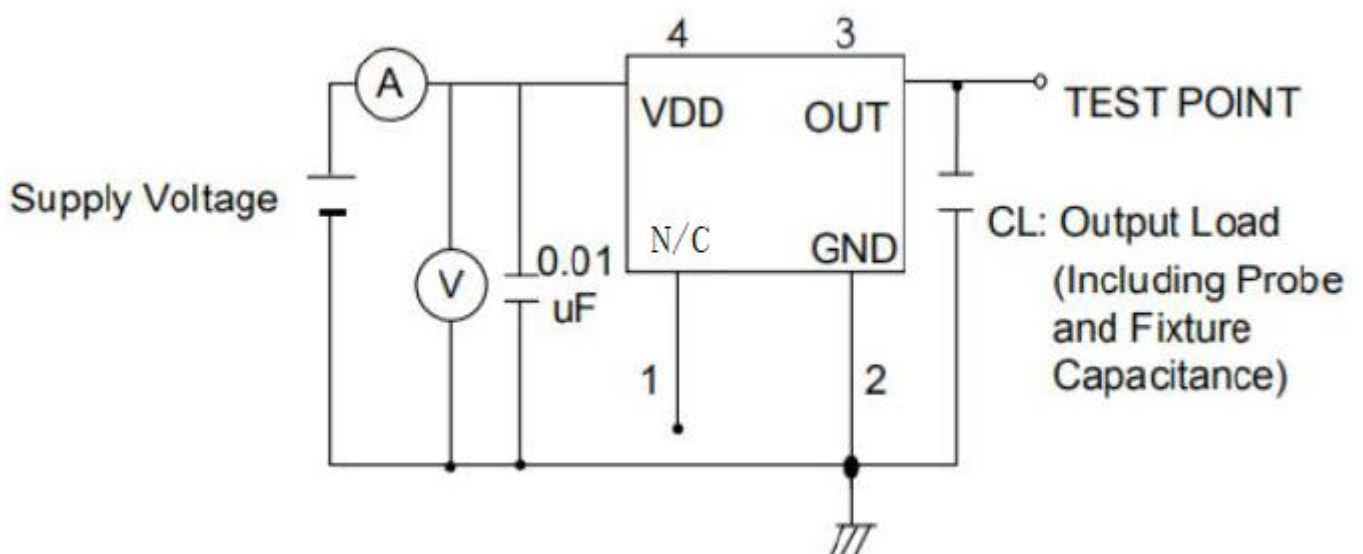


[Suggested solder pad layout]

Pin	Function
1	N/C
2	GND
3	Output
4	V _{DD}

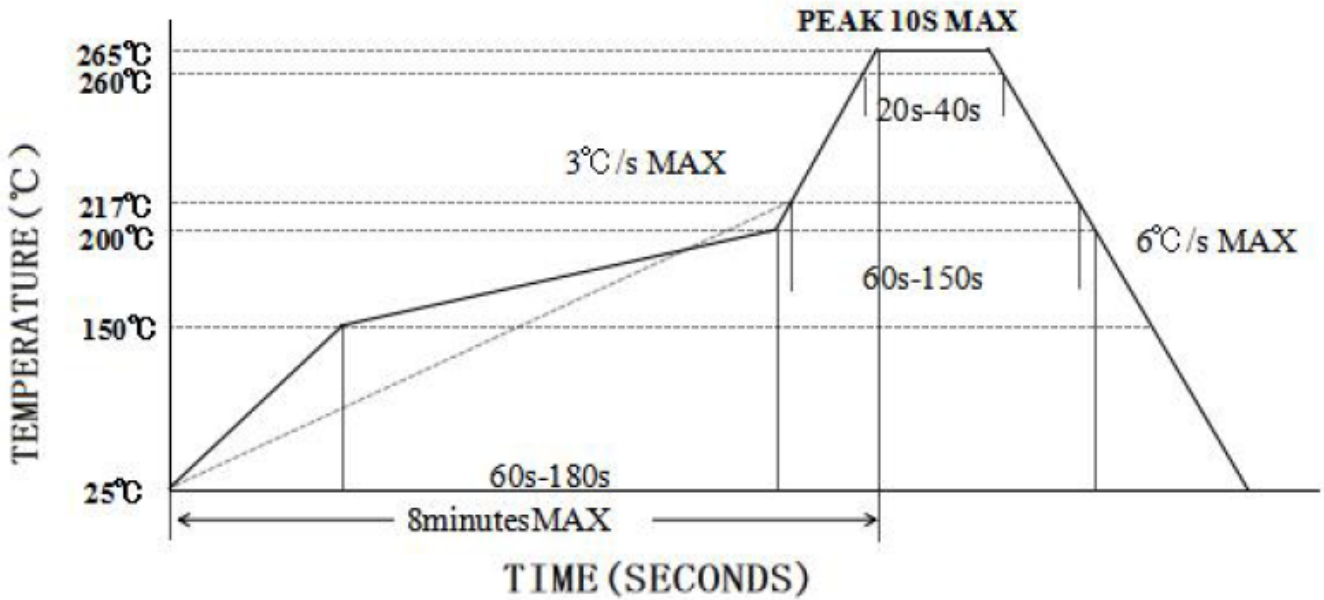
Note1:Tolerance ± 0.2 mm without mark

3、Test Circuit

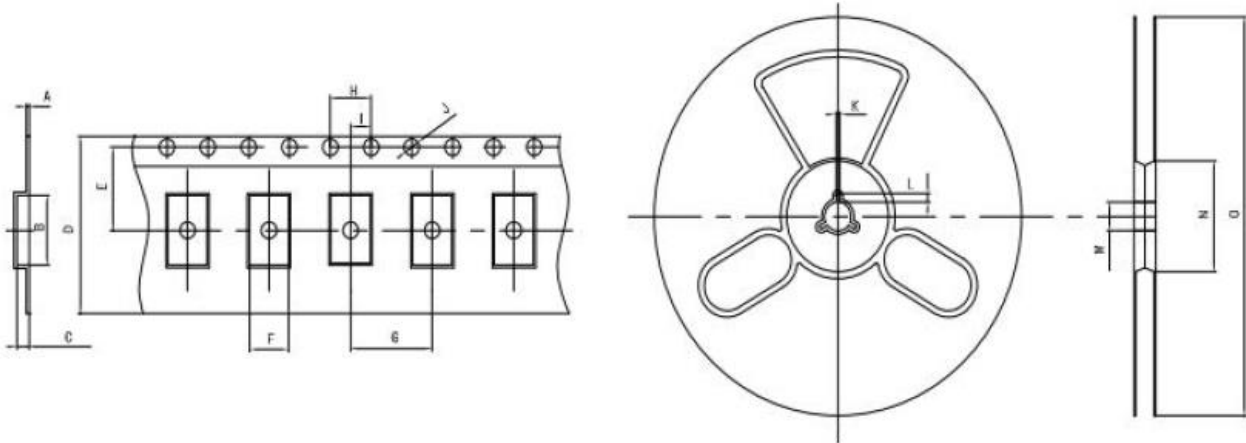




4、Reflow Soldering Curve (RoHS)



5、Package: Tape & Reel (mm)



TEYE	A	B	C	D	E	F	G	H	I	J	K	L	M	N	O
5×7 SMD	0.3	7.5	2.0	16.0	7.5	5.5	8.0	4.0	2.0	1.5	2.0	4.0	13.0	60.0	180.0

Tolerance : ±0.1mm.