

5mm SMD CIRCULATOR

RF component

Datasheet No.:

Date: 2022.07.08

Customer:

Product Name:

DP-CL0520A2350-H1

DP-CL0520B2350-H1

Customer P/N:



GuangdongDapuTelecomTechnologyCo.,Ltd
<http://www.dptel.com>

Building5, No.24, Gongye East Road,
SSL Sci & Tech Industry Park,
Dongguan, Guangdong, China
TEL:0086-0769-88010888
FAX:0086-0769-81800098

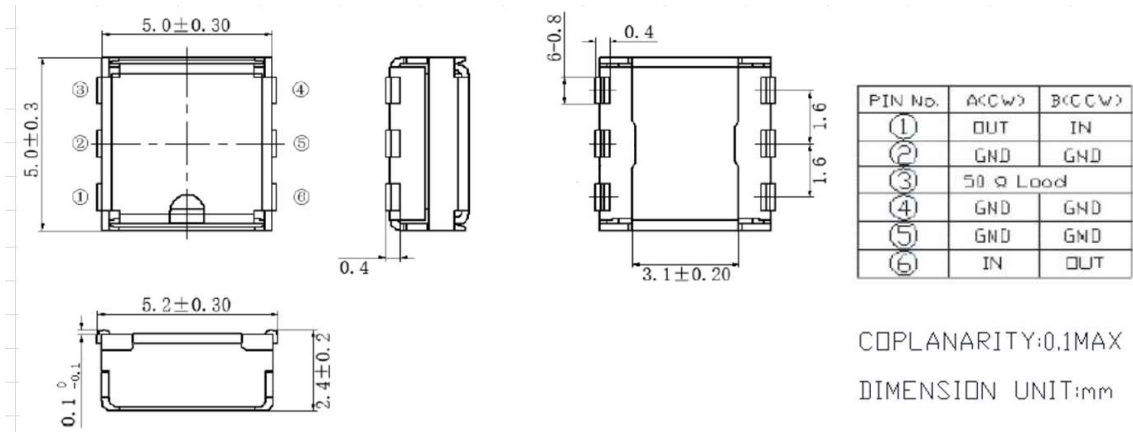
Approved	Checked	Designer
Nick	Wison	ZC.Wu

5mm SMD CIRCULATOR

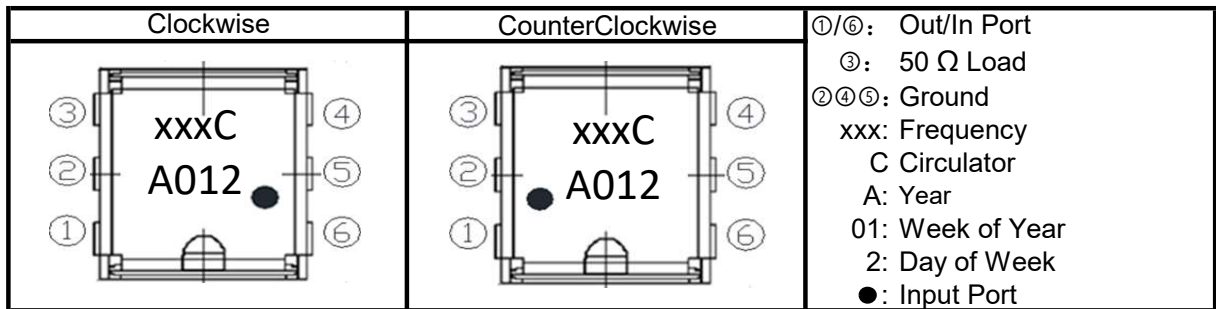
RF component

Datasheet No.: 0
 Date: 2022.07.08

MECHANICAL SPECIFICATION



MARKING



Year Code	
Year	Code
2019	A
2020	B
2021	C
2022	D
2023	E
2024	F
...	...

Week Code	
Week	Code
1	01
2	02
3	03
4	04
5	05
6	06
...	...

Day Code	
Day	Code
Monday	1
Tuesday	2
Wednesday	3
Thursday	4
Friday	5
Saturday	6
Sunday	7

5mm SMD CIRCULATOR

RF component

Datasheet No.: 0
 Date: 2022.07.08

TEMPERATURE RANGE

Operating temperature range : -40~+85°C
 Storage temperature range: -40~+125°C

ELECTRICAL CHARACTERISTICS

Parameter	Unit	Frequency (MHz)		DP Spec		
				Min.	Typ.	Max.
Frequency range	MHz	2300	2400	2300		2400
Insertion Loss	dB	-	-			0.75
Isolation	dB	-	-	12		
Return Loss	dB	-	-	12		
Power Handling	W					5
Reflection power	W					2
Characteristic Impedance (ohm)	Ω				50	
Case Style	-				SMD	

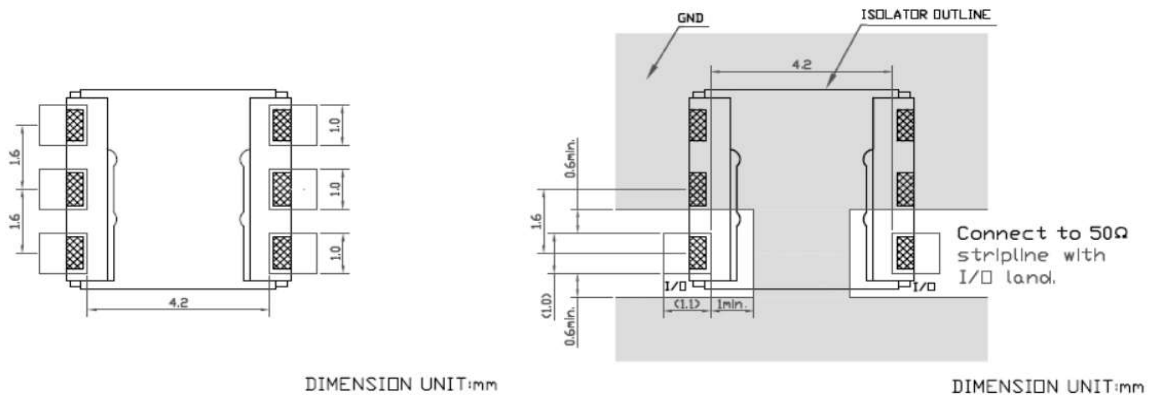
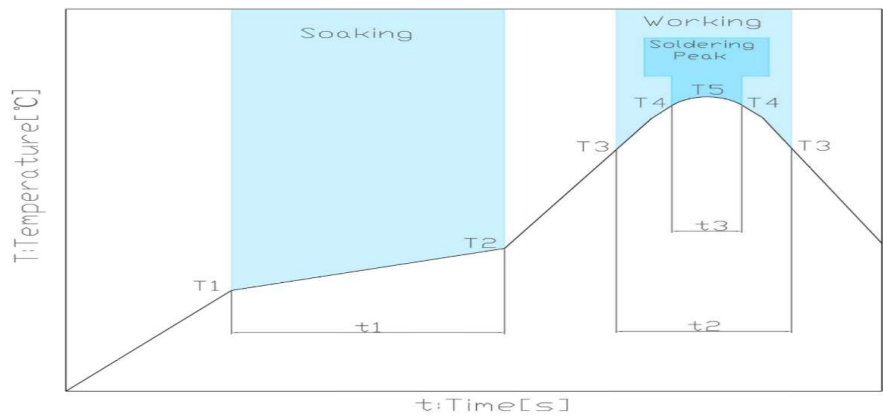
NOTES

1. Recommend to keep 30mm above when mounted with other magnetic products.
2. RoHS compliance.
3. Circulator's characteristics are guaranteed at conditions listed at above table and it's operating temperature range.

5mm SMD CIRCULATOR

RF component

Datasheet No.: 0
 Date: 2022.07.08

RECOMMENDED LAND PATTERN

RECOMMENDED REFLOW PROFILE


Soaking			Working		Soldering Peak		
Temp.	Temp.	Time	Temp.	Time	Temp.	Time	Temp.
T1	T2	t1	T3	t2	T4	t3	T5
150°C	180°C	60 to 120s	230°C	30 to 60s	250°C	within 10s	260°C max.

5mm SMD CIRCULATOR

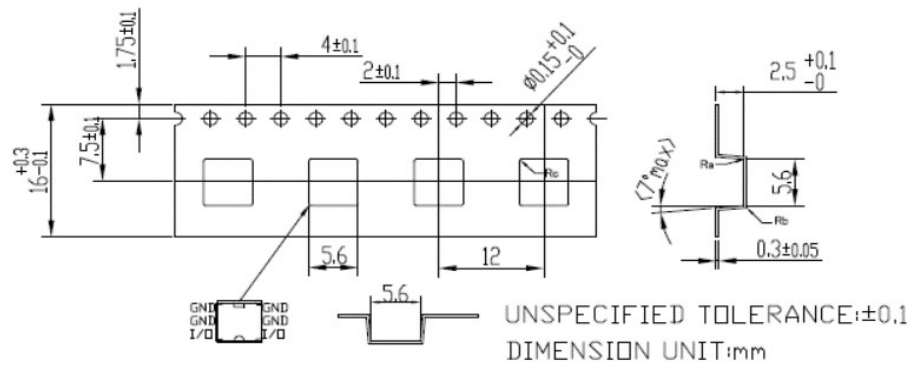
RF component

Datasheet No.: 0
 Date: 2022.07.08

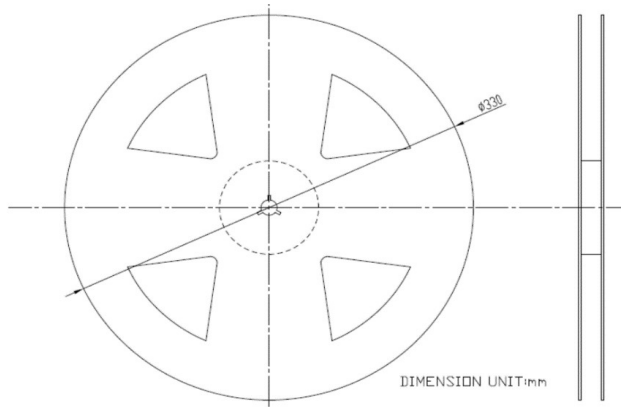
PACKING STYLE

REEL DIMENSIONS

Reel side \longrightarrow Pulling side



TAPE DIMENSIONS



PACKAGE QUANTITY

1000 PCS/REEL

5mm SMD CIRCULATOR

RF component

Datasheet No.: 0
 Date: 2022.07.08

Revision Records

Rev.	Date	PIC	Change item	Reasons for change
1	2021.11.17	ZC.Wu	New regulations	
2	2022.07.08	ZC.Wu	Dimension and marking	
4				
5				
6				
7				
8				