

Travelling Merchant: _____

DATASHEET

Standard: DPAM40000003

Plot			The Label
Drew	Audited	Approved	Stamp, please! Thanks!
Date: 2020.10.16			

Guangdong Dapu Telecom Technology Co.,Ltd

Bldg13-16,.N.Ind.Zone,SSL Industry Park, Dongguan City, Guangdong Province, China

TEL: 0086-0769-88010888 FAX: 0086-0769-81800098

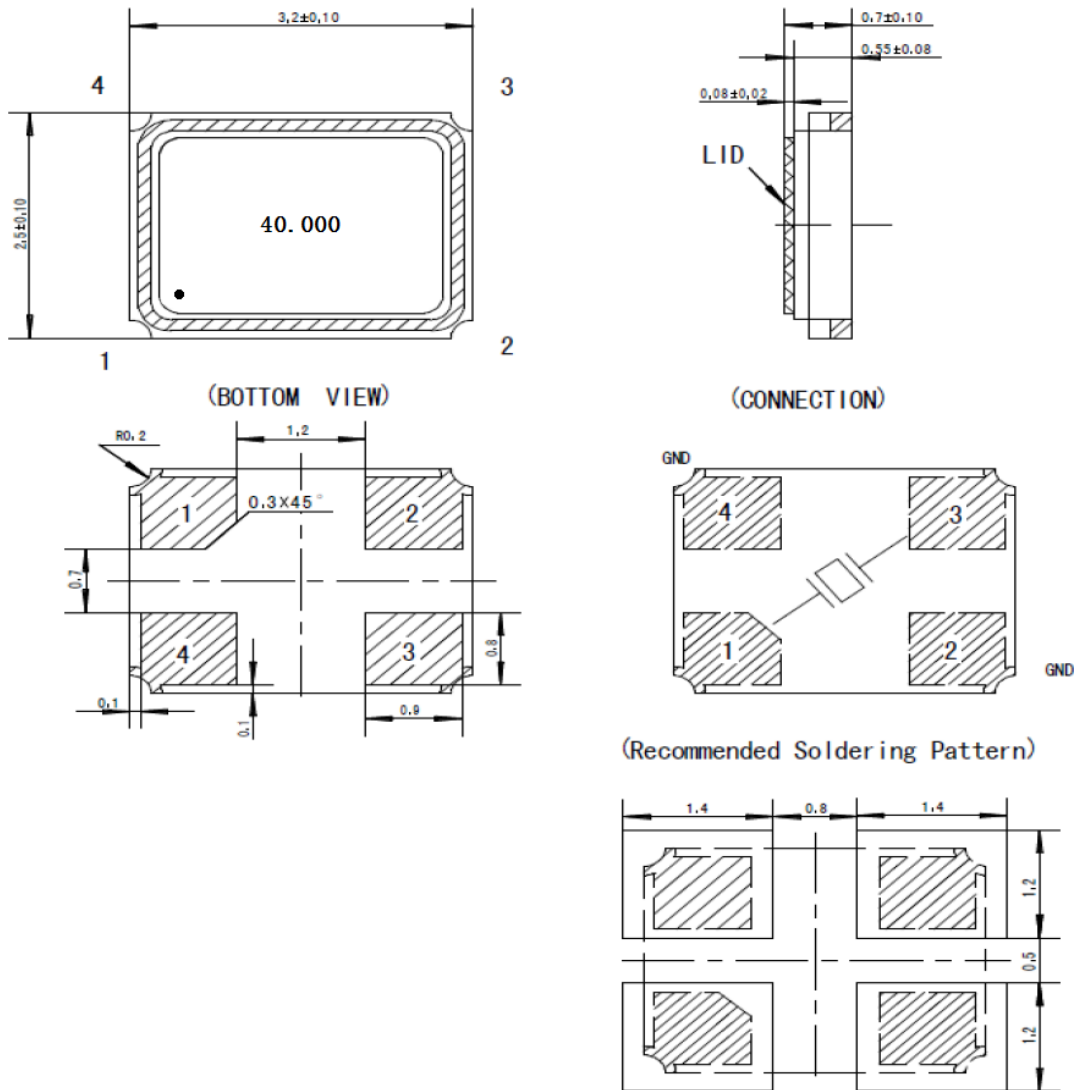


1、 Electrical Parameters

MODEL: DPAM4000003							
No.	Parameters	SYM.	Electrical Spec.				Notes
			Min.	Typ.	Max.	Units	
1	Nominal Frequency	FL	40.000			MHz	
2	Mode of Vibration	-	Fundamental			-	
3	Load Capacitance	CL	10			pF	
4	Frequency Tolerance	-	-10	-	+10	$\times 10^{-6}$	
5	Frequency Stability	-	-10	-	+10	$\times 10^{-6}$	-20°C~70°C
6	Aging	-	-3	-	+3	$\times 10^{-6}$	Per Year
7	Drive Level	DL		100		μ W	
8	Shunt Capacitance C0	C0		-	2	pF	
9	Insulation Resistance	-	500	-	-	M Ω	at DC 100V
10	Operating Temperature		-20	~	+70	°C	
11	Storage Temperature Range	-	-55	~	+125	°C	
12	ESD Level	Human Body Model,class2: 2000V to 4000V; ANSI/ESDA/JEDEC JS-001-2010					
		Machine Model, class B: 200V to 400V; JEDEC JESD22-A115C.					
13	Moisture Sensitivity Level	Level 2					
14	Vibration	Test Condition: 0.75mm ;acceleration:10g;10Hz~2000Hz, one cycle per 30 min, test 2 hour. (3 times for each 3 directions X, Y, Z). IEC 68-2-06 Test Fc.					
15	Shock	100g; 6ms; half sine wave (3 times for each 3 directions X ,Y, Z),IEC 68-2-27 Test Ea/Severity 50A.					



2、Mechanical Structure(mm)



3、Package: Tape & Reel (mm)

