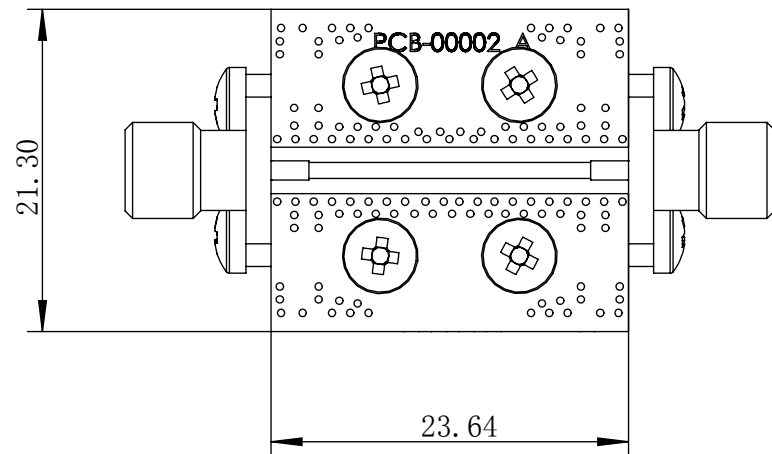
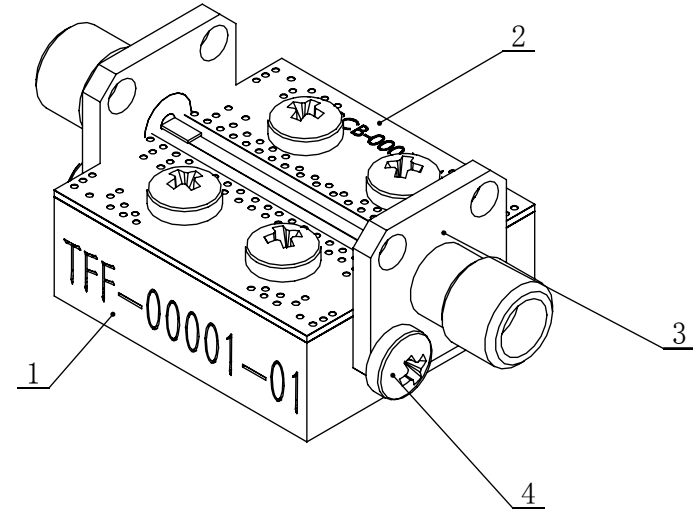
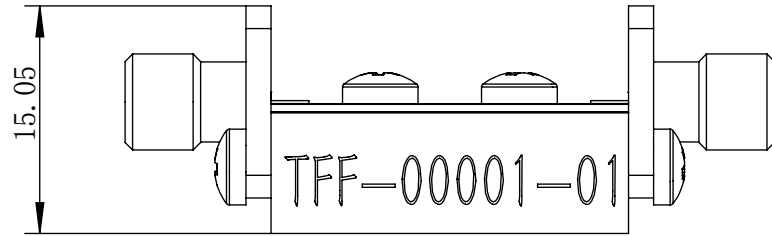

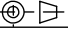


RoHS COMPLIANT

REVISIONS			
REV.	DESCRIPTION	DATE	APPROVAL
A		2019/9/19	



项目号	零件号	说明	数量
1	TFF-00001-01	THRU BLOCK	1
2	PCB-00002	PCB	1
3	CON-00001 (SMA-F)	CONNECTOR SMA-F	2
4	SCR-00001	SCREW 十字盘头 M2.5X6	8

PART NAME.: 直通测试夹具	Designed:	ZC. Wu	
DRAWING NO.: TFF-00001	Checked:		
MATERIAL:	Approval:		
FINISH:	The first angle projection: 		
DESCRIPTION: THRU FIXTURE	Scale: 1:1	Unit: mm	A4
		TOLERANCES ON	
		DECIMALS	ANGLES
		±0.20	±0.5°

零件代号

借(通)用件登记

旧底图总号

底图总号

签字

日期