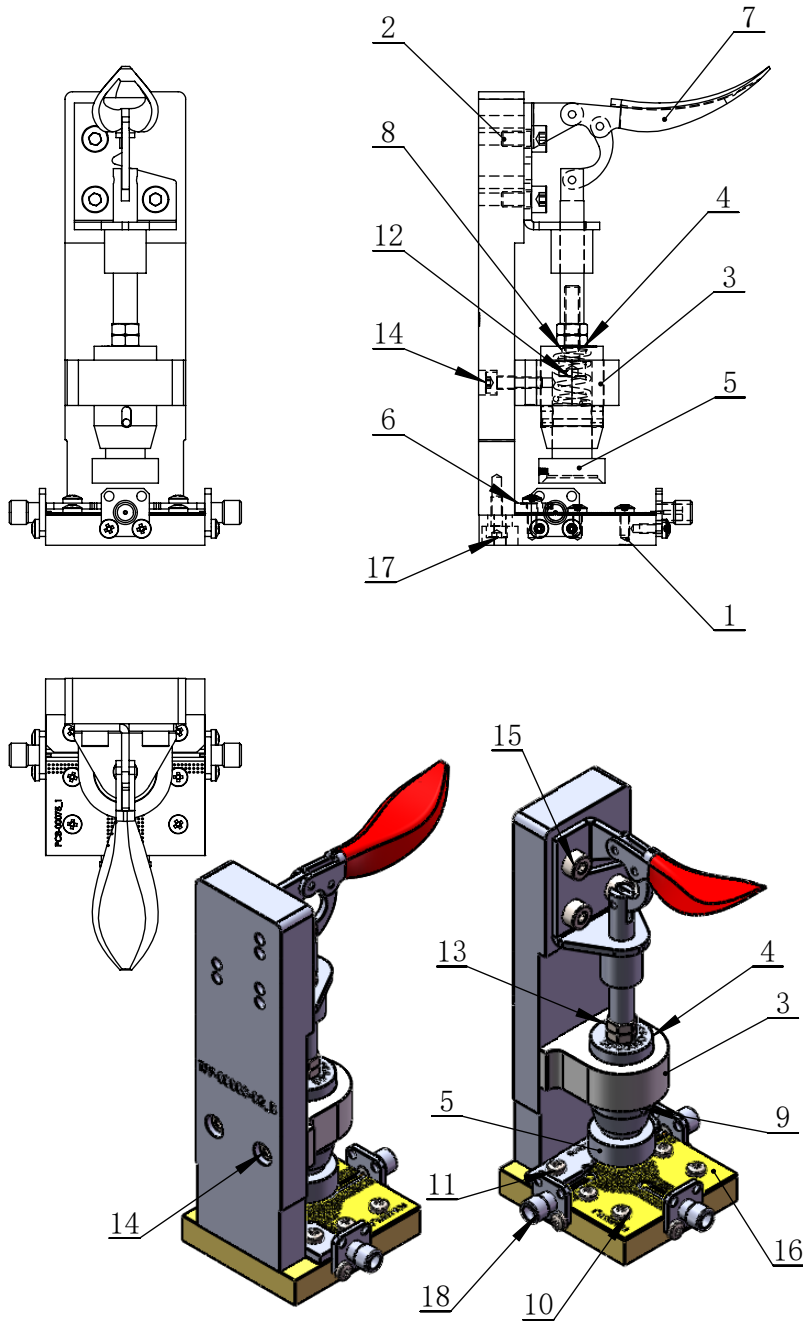

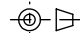


RoHS COMPLIANT

| REVISIONS | | | | |
|-----------|---------|-------------|-----------|---------|
| REV. | ECN NO. | DESCRIPTION | DATE | REVISOR |
| 1 | - | release | 2022/2/25 | ZC.WU |



| 项目号 | 零件号 | 说明 | 数量 |
|-----|--------------|----------------------------|----|
| 1 | TFF-00111-01 | Test Block | 1 |
| 2 | TFF-00003-02 | Fixed Block | 1 |
| 3 | TFF-00002-02 | Guide Block | 1 |
| 4 | TFF-00002-05 | Pressure Head Fixing Seat | 1 |
| 5 | TFF-00045-03 | Pressure Head | 1 |
| 6 | TFF-00111-02 | Limited Bolck | 1 |
| 7 | tas-00088 | GH-301-AM | 1 |
| 8 | SPR-00002 | SPRING | 1 |
| 9 | DOW-00002 | DOWEL $\Phi 2.0 \times 16$ | 1 |
| 10 | SCR-00001 | SCREW 十字盘头 M2.5X6 | 10 |
| 11 | SCR-00003 | Screw 十字盘头 M2.5X8 | 2 |
| 12 | SCR-00002 | Screw 内六角圆柱头 M4X20 | 1 |
| 13 | NUT-00001 | M4 Nut | 2 |
| 14 | SCR-00005 | Screw 内六角圆柱头 M3x12 | 2 |
| 15 | SCR-00004 | Screw 内六角圆柱头 M4X8 | 3 |
| 16 | PCB-00075 | PCB | 1 |
| 17 | SCR-00023 | Screw 内六角圆柱头 M3x8 | 2 |
| 18 | con-00004 | CONNECTOR SMA-F | 3 |

| | | | |
|--------------------------------|---|--------|---|
| PART NAME: 17.5 (15.5) 测试夹具 | Designed: | ZC. Wu |  |
| | Checked: | | |
| DRAWING NO. : TFF-00111 | Approval: | | TOLERANCES ON |
| | The first angle projection:  | | DECIMALS |
| DESCRIPTION: TEST FIXTURE | Sheet 1 of 1 | | ANGLES |
| | Scale: | Unit: | ± 0.1 ± 0.1 ± 0.05 ± 0.02 |
| | 1:1 | mm | |
| | | | |