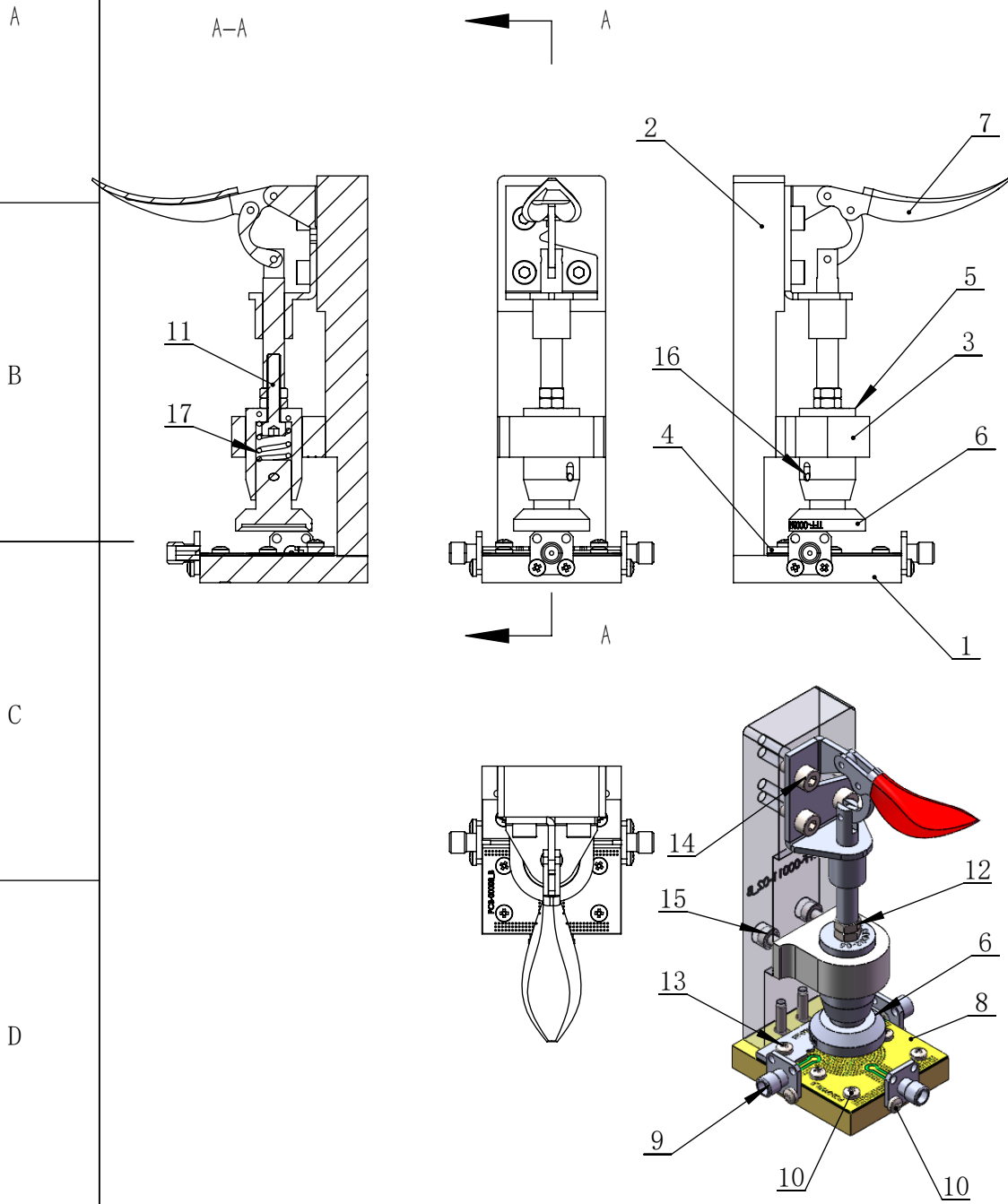

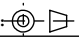


RoHS COMPLIANT

REVISIONS				
REV.	ECN NO.	DESCRIPTION	DATE	REVISOR
A		Producing release	20224/7	ZC.Wu



项目号	零件号	说明	数量
1	TFF-00110-01	Test Block	1
2	TFF-00011-02	Fixed Block	1
3	TFF-00002-02	Guide Block	1
4	TFF-00110-03	Limited Block	1
5	TFF-00002-05	Pressure Head Fixing Seat	1
6	TFF-00036-04	Pressure Head	1
7	tas-00088	GH-301-AM	1
8	PCB-00008	PCB	1
9	CON-00001	CONNECTOR SMA-F	3
10	SCR-00001	SCREW 十字盘头 M2.5X6	10
11	SCR-00002	Screw 内六角圆柱头 M4X20	1
12	NUT-00001	M4 Nut	2
13	SCR-00003	Screw 十字盘头 M2.5X8	2
14	SCR-00004	Screw 内六角圆柱头 M4X8	3
15	SCR-00005	Screw 内六角圆柱头 M3x12	4
16	DOW-00002	DOWEL $\Phi 2.0 \times 16$	1
17	SPR-00002	SPRING	1

PART NAME: 测试夹具	Designed:	ZC. Wu		
	Checked:			
DRAWING NO. : TFF-00110	Approval:		TOLERANCES ON	
	The first angle projection: 			DECIMALS
DESCRIPTION: TEST FIXTURE	Sheet 1 of 1		±0.20	±0.5°
	Scale: 1:1	Unit: mm		