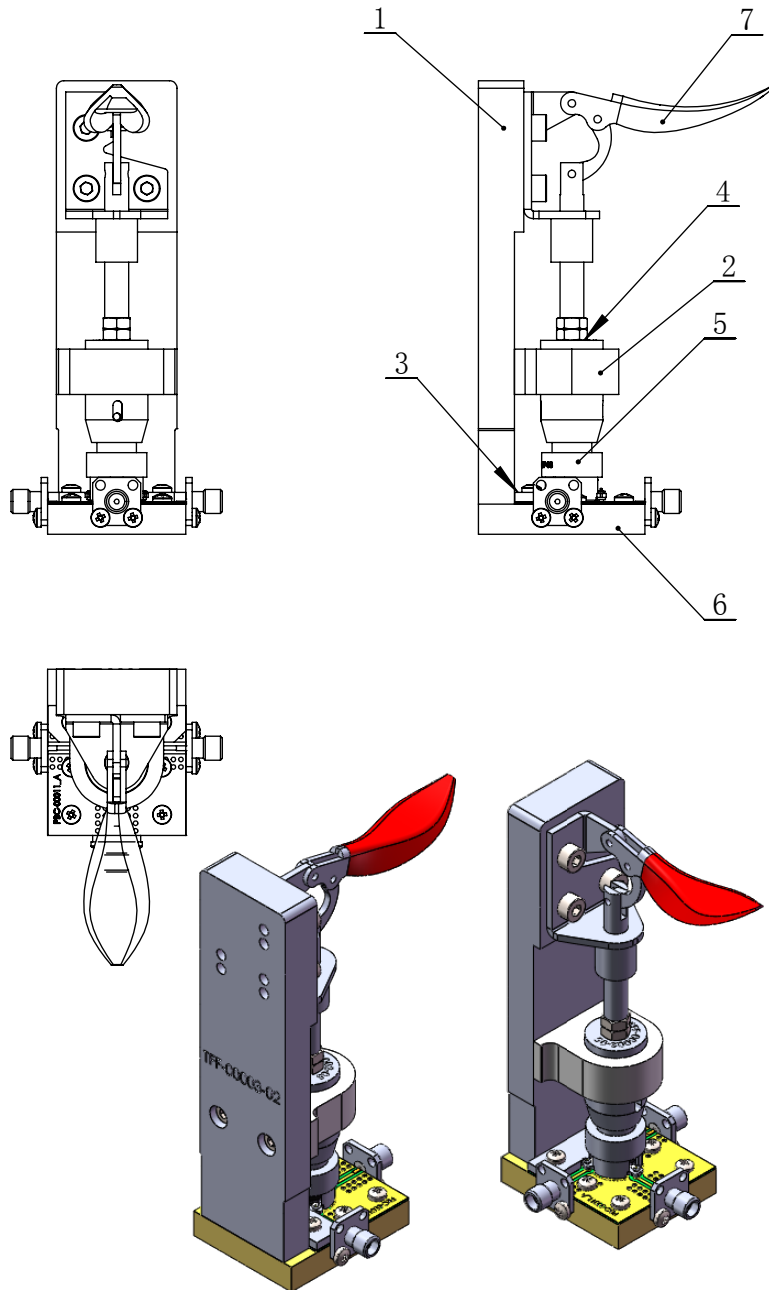


RoHS COMPLIANT

REVISIONS			
REV.	DESCRIPTION	DATE	APPROVAL
A		2020/01/11	



注：4和5之间内置弹簧
(线径1.4x外径10x长度15)

项目号	零件号	说明	数量
1	TFF-00003-02	Fixed Block	1
2	TFF-00002-02	Guide Block	1
3	TFF-00017-02	Limited Bolck	1
4	TFF-00002-05	Pressure Head Fixing Seat	1
5	TFF-00017-03	Pressure Head	1
6	TFF-00017-01	Test Block	1
7	GH-301-AM	快速夹	1
8	DP0143C	Φ14 SMT CIRCULATOR	1
9	CON-00001	CONNECTOR SMA-F	3
10	SCR-00001	SCREW 十字盘头 M2.5X6	10
11	SCR-00003	Screw 十字盘头 M2.5X8	2
12	SCR-00002	Screw 内六角圆柱头 M4X20	1
13	NUT-00001	M4 Nut	2
14	SCR-00005	Screw 内六角圆柱头 M3x12	2
15	SCR-00004	Screw 内六角圆柱头 M4X8	3
16	PCB-00011	PCB	1

PART NAME: 测试夹具	Designed:	ZC. Wu		
	Checked:			
DRAWING NO. : TFF-00017	Approval:		TOLERANCES ON	
	The first angle projection:			DECIMALS
DESCRIPTION: TEST FIXTURE	Sheet 1 of 1		±0.20	±0.5°
	Scale: 1:1	Unit: mm		