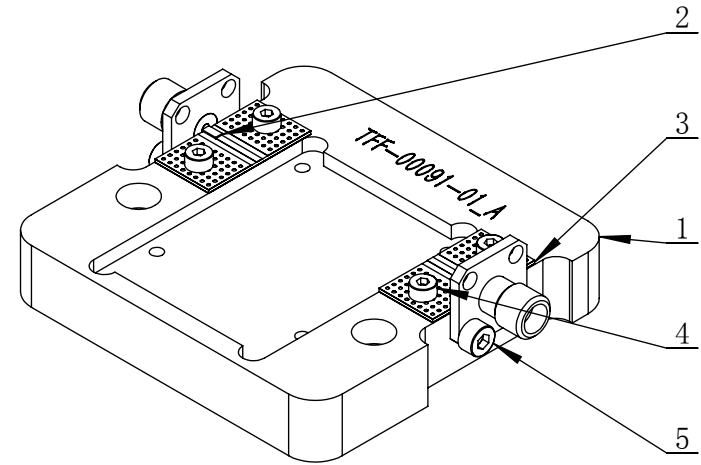
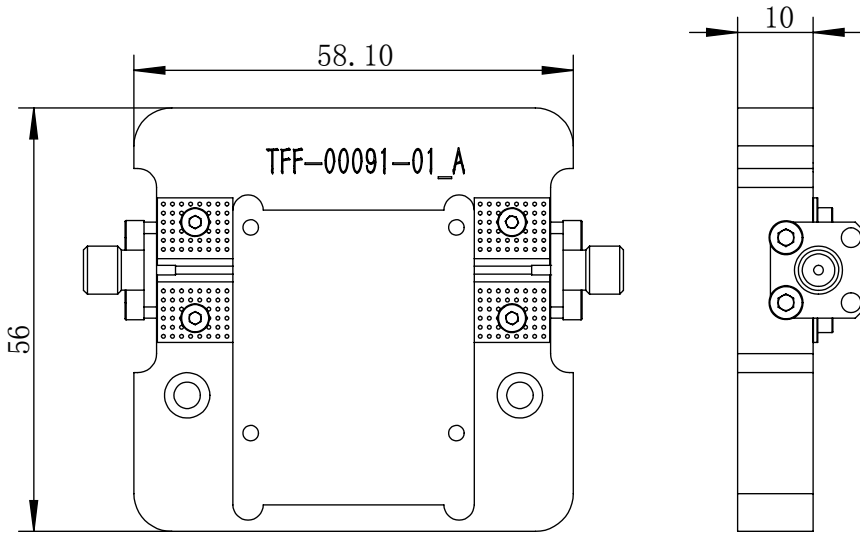
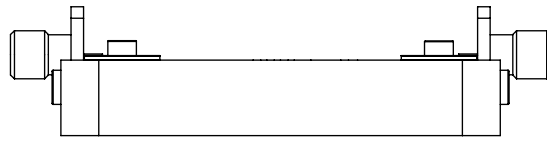

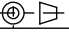


**RoHS COMPLIANT**

REVISIONS				
REV.	ECN NO.	DESCRIPTION	DATE	APPROVAL
A	-	Eng release	2021/7/13	



项目号	零件号	说明	数量
1	TFF-00091-01	TEST FIXTURE	1
2	CON-00001	CONNECTOR SMA-F	2
3	PCB-00064	PCB	2
4	SCR-00012	M2X6内六角螺丝	4
5	SCR-00008	M2.5X6内六角螺丝	4

PART NAME: 测试夹具	Designed:	Jie. Jiang		
	Checked:			
DRAWING NO. : TFF-00091	Approval:		TOLERANCES ON	
	The first angle projection: 			DECIMALS
DESCRIPTION: Test Fixture	Sheet 1 of 1		±0.20	±0.5°
	Scale: 1:1	Unit: mm		