

# 5mm SMD ISOLATOR

RF component

Datasheet No.: DP-A-0011 (02)  
Date: 2021.06.11

## Customer:

ACAL

## Product Name:

DP-IL0520A748-E1

DP-IL0520B748-E1

## Customer P/N:



GuangdongDapuTelecomTechnologyCo.,Ltd Bldg13-16,.N.Ind.Zone,SSLIndustry  
http://www.dptel.com

Park,DongguanCity,Guangdong

Province,PRChina

TEL:0086-0769-88010888

FAX:0086-0769-81800098

Approved	Checked	Designer
Patrick	Nina	Emma

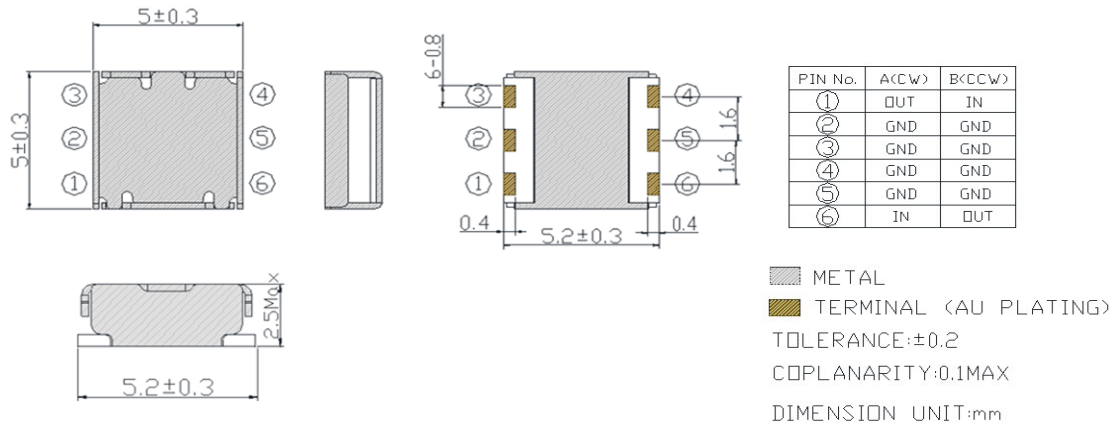
# 5mm SMD ISOLATOR

RF component

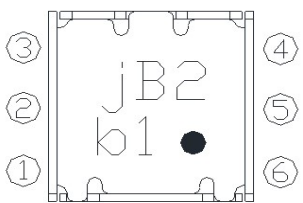
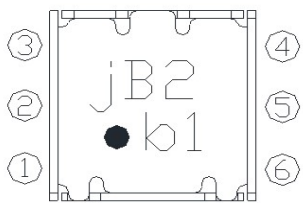
Datasheet No.: DP-A-0011 (02)

Date: 2021.06.11

## MECHANICAL SPECIFICATION



## MARKING

DP-IL0520A748-E1	DP-IL0520B748-E1	①/⑥ : Out/In Port ②~⑤ : Ground j : Year/ Month of Production B : Week of Production 2 : Day of Production ● : Input Port b1 : Frequency
Clockwise	CounterClockwise	
		

Year/Month Code											
Year	Month	Code	Year	Month	Code	Year	Month	Code	Year	Month	Code
2020 2024 2028	1	a	2021 2025 2029	1	n	2022 2026 2030	1	A	2023 2027	1	N
	2	b		2	p		2	B		2	P
	3	c		3	q		3	C		3	Q
	4	d		4	r		4	D		4	R
	5	e		5	s		5	E		5	S
	6	f		6	t		6	F		6	T
	7	g		7	u		7	G		7	U
	8	h		8	v		8	H		8	V
	9	j		9	w		9	J		9	W
	10	k		10	x		10	K		10	X
	11	l		11	y		11	L		11	Y
	12	m		12	z		12	M		12	Z

Week Code	
Week	Code
1	A
2	B
3	C
4	D
5	E

Day Code	
Day	Code
Monday	1
Tuesday	2
Wednesday	3
Thursday	4
Friday	5
Saturday	6
Sunday	7

# 5mm SMD ISOLATOR

RF component

Datasheet No.: DP-A-0011 (02)

Date: 2021.06.11

## TEMPERATURE RANGE

Operating temperature range : -40~+85°C

Storage temperature range:-40~+125°C

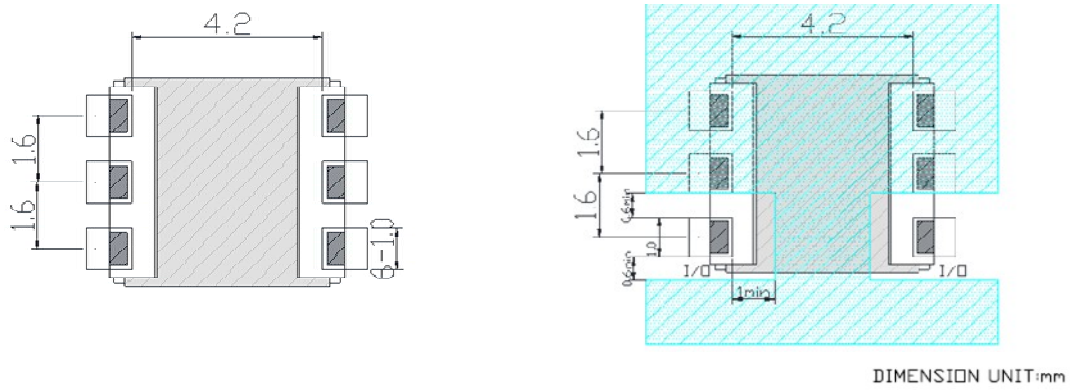
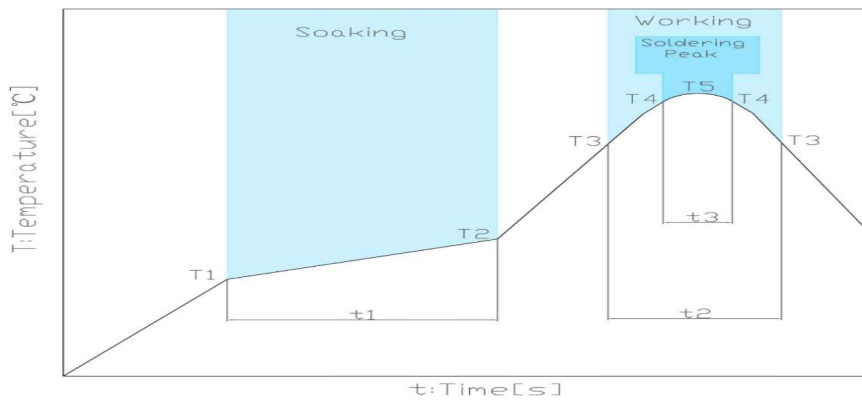
## ELECTRICAL CHARACTERISTICS

Parameter	Unit	Frequency (MHz)		DP Spec		
				Min.	Typ.	Max.
Frequency range	MHz	729		768		768
Insertion Loss	dB	-		-		1.30
Isolation	dB	-		-	9	
Return Loss	dB	-		-	11	
IMD3 (2x25dBm, Span 5MHz)	dBc					-57
IMD3 typical	dBc				-65	
Power Handling (Average)	W					3
Power Handling (Peak)	W					10
Reflection power	W					2
Characteristic Impedance (ohm)	Ω				50	
Case Style	-				SMD	

# 5mm SMD ISOLATOR

RF component

Datasheet No.: DP-A-0011 (02)  
 Date: 2021.06.11

**RECOMMENDED LAND PATTERN**

**RECOMMENDED REFLOW PROFILE**


Soaking			Working		Soldering Peak		
Temp.	Temp.	Time	Temp.	Time	Temp.	Time	Temp.
T1	T2	t1	T3	t2	T4	t3	T5
150°C	180°C	60 to 120s	230°C	30 to 60s	250°C	within 10s	260°C max.

# 5mm SMD ISOLATOR

RF component

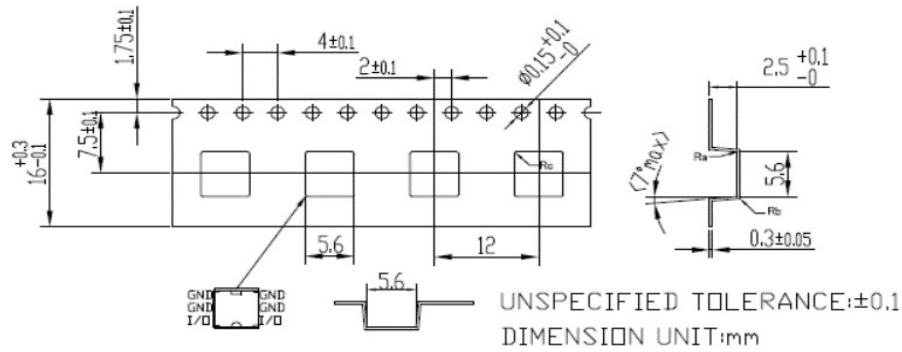
Datasheet No.: DP-A-0011 (02)

Date: 2021.06.11

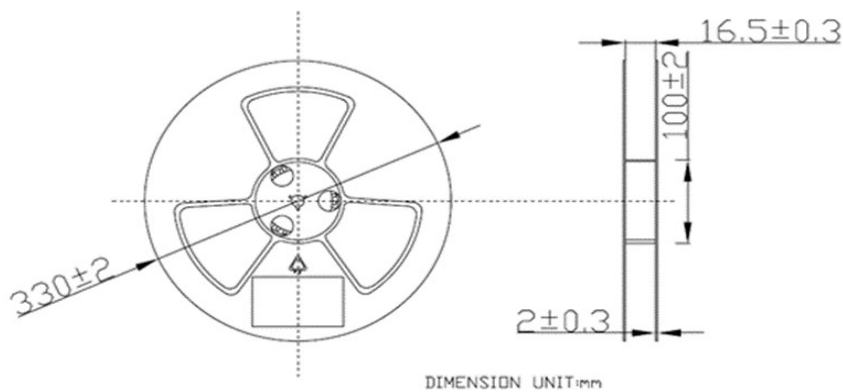
## PACKING STYLE

### REEL DIMENSIONS

Reel side  $\longrightarrow$  Pulling side



### TAPE DIMENSIONS



### PACKAGE QUANTITY

1000 PCS/REEL

# 5mm SMD ISOLATOR

RF component

Datasheet No.: DP-A-0011 (02)

Date: 2021.06.11

## Revision Records

Rev.	Date	PIC	Change item	Reasons for change
1	2020.11.06	Nina	New regulations	
2	2021.02.09	Nina	1.Add IMD3 specification 2.Marking Standardization	1.Customer requirements 2.DP Standardization
3	2021.06.11	Nina	height: 2±0.2→2.5Max	DP Standardization
4				
5				
6				
7				
8				