

Travelling Merchant: _____

DATASHEET

Standard: **T32-S519-30.00MHz**

P/N:

| Plot | | | The Label |
|------------------|---------|----------|------------------------|
| Drew | Audited | Approved | Stamp, please! Thanks! |
| | | | |
| Date: 2022.04.29 | | | |

Guangdong Dapu Telecom Technology Co.,Ltd

Building 5, No.24, Industrial East Road, Songshanhu Park, Dongguan, Guangdong, P.R. China

TEL: 0086-0769-88010888 FAX: 0086-0769-81800098



Guangdong Dapu Telecom Technology Co., Ltd

<http://www.dptel.com>

Building 5, No.24, Industrial East Road,
Songshanhu Park, Dongguan,
Guangdong, P.R. China
TEL:0086-0769-88010888
FAX:0086-0769-81800098



| Version | Revision contents | Prepared by | Revised date |
|---------|-------------------|--------------|--------------|
| 1.0 | The first issued | <i>Amway</i> | 2022.04.29 |
| | | | |
| | | | |
| | | | |
| | | | |
| | | | |
| | | | |
| | | | |
| | | | |
| | | | |
| | | | |
| | | | |
| | | | |
| | | | |
| | | | |
| | | | |



1. Electrical Parameters

| MODEL: T32-S519-30.00MHz | | | | | | | |
|--------------------------|--|-------------------|------|-------|------------------|---|--------|
| Item | Description | Parameters | | | Unit | Test Condition | |
| | | Min. | Typ. | Max. | | | |
| Output | Frequency | 30.00 | | | MHz | | |
| | Output Waveform | Clipped Sine Wave | | | | | |
| | Vp-p | 0.8 | | | V | | |
| | Startup time | | | 2 | ms | @90% of final Vout level | |
| | Load | 10KΩ//10pF | | | | | |
| Frequency Stabilities | Tolerance | -2 | | +2 | $\times 10^{-6}$ | T _A =25°C, After 2 times reflow, Ref. to nominal frequency, leave after reflow in 1h or more at room ambient. | |
| | Temperature Stability | -0.5 | | +0.5 | $\times 10^{-6}$ | T _A = -40°C to 85°C, Ref. to Frequency (f _{ref} =(f _{max} +f _{min})/2. | |
| | Frequency Tolerance vs. Supply Voltage | -0.2 | | +0.2 | $\times 10^{-6}$ | Measurement referenced to frequency observed T _A =25°C, V _{cc} ±5% and O _{Load} =10KΩ//10pF. | |
| | Frequency Tolerance vs. Load | -0.2 | | +0.2 | $\times 10^{-6}$ | 10% load change measurement referenced to frequency observed with T _A =25°C, V _{cc} ±5%, O _{Load} =10KΩ//10pF. | |
| | Aging | -1 | | +1 | $\times 10^{-6}$ | @25°C, First year. | |
| | Phase Noise | | | -86 | | dBc/Hz | 10Hz |
| | | | | -114 | | | 100Hz |
| | | | | -135 | | | 1KHz |
| | | | | -150 | | | 10KHz |
| | | | | -152 | | | 100KHz |
| Power Supply | Current Consumption | | | 2 | mA | @25°C, V _{cc} ±5%, O _{load} =10KΩ//10pF. | |
| | Supply Voltage | 3.135 | 3.3 | 3.465 | V | | |

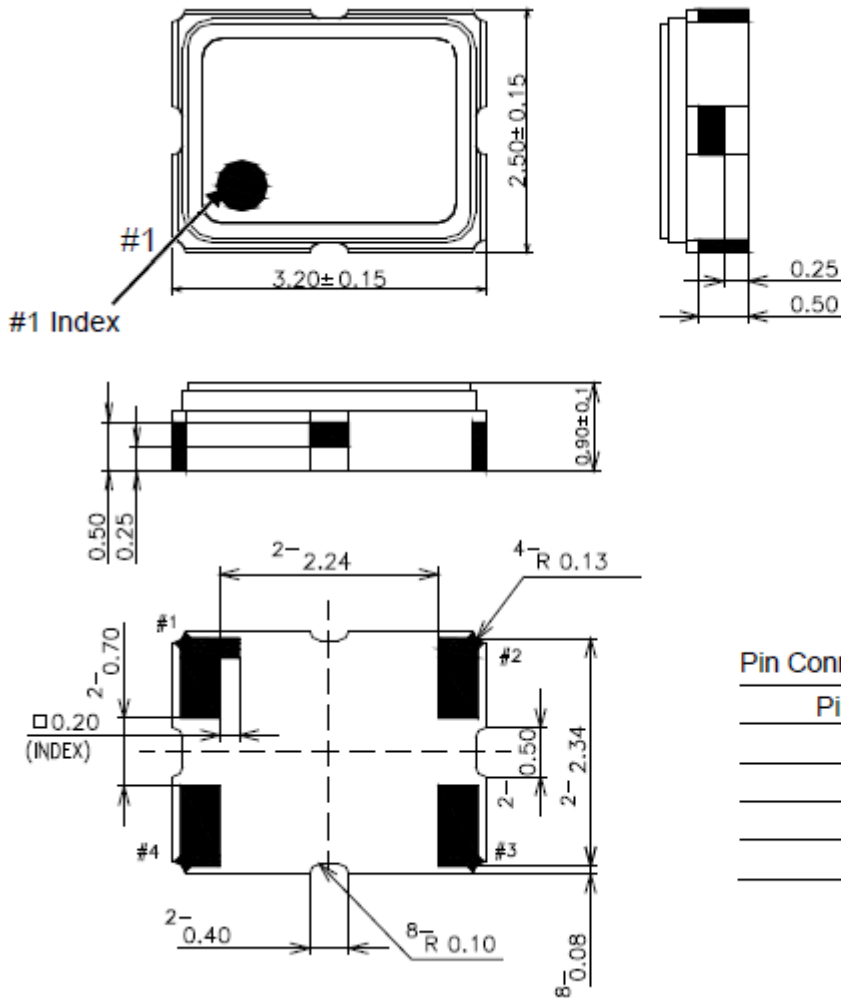


| | | | | | | |
|--------------------------|--|---|--|-----|----|--|
| Environmental Conditions | Operable Temperature | -40 | | +85 | °C | |
| | Storage Temperature | -40 | | +85 | °C | |
| | ESD Level | Human Body Model, class2: 2000V to 4000V; ANSI/ESDA/JEDEC JS-001-2010. | | | | |
| | | Machine Model, class B: 200V to 400V; JEDEC JESD22-A115C. | | | | |
| | Moisture Sensitivity Level | Level 2. | | | | |
| | Vibration | Test Condition: 0.75mm ;acceleration:10g;10Hz~2000Hz, one cycle per 30 min, test 2 hours. (3 times for each 3 directions X ,Y , Z) .IEC 68-2-06 Test Fc. | | | | |
| Shock | 100g; 6ms; half sine wave (3 times for each 3 directions X ,Y, Z),IEC 68-2-27 Test Ea/Severity 50A. | | | | | |
| Full Package Storage | Relative humidity (%) | 20% ~ 70% | | | | |
| | Temperature (°C) | -10~35°C | | | | |

DAPU Confidential



2. Mechanical Structure(mm)



Pin Connections

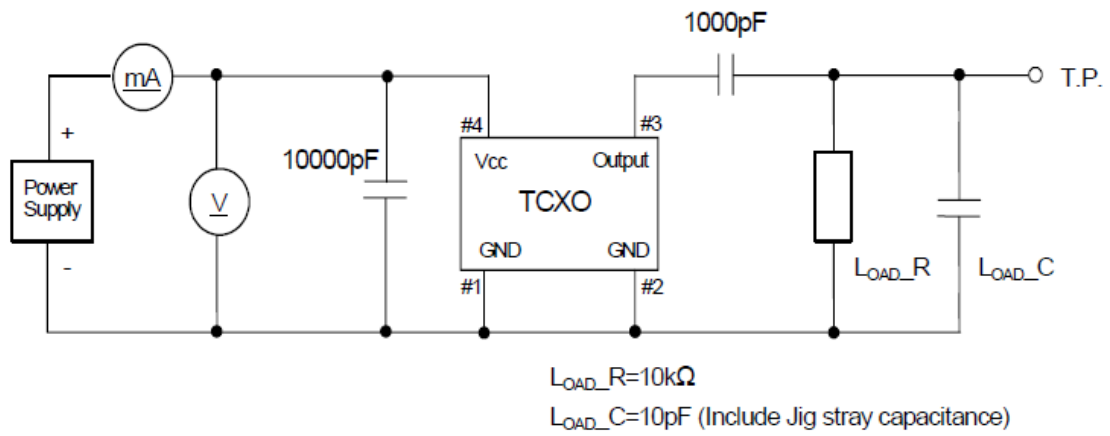
| Pin No. | Connection |
|---------|------------|
| #1 | GND |
| #2 | GND |
| #3 | Output |
| #4 | Vcc |

Note1: Tolerance ± 0.15 mm without mark

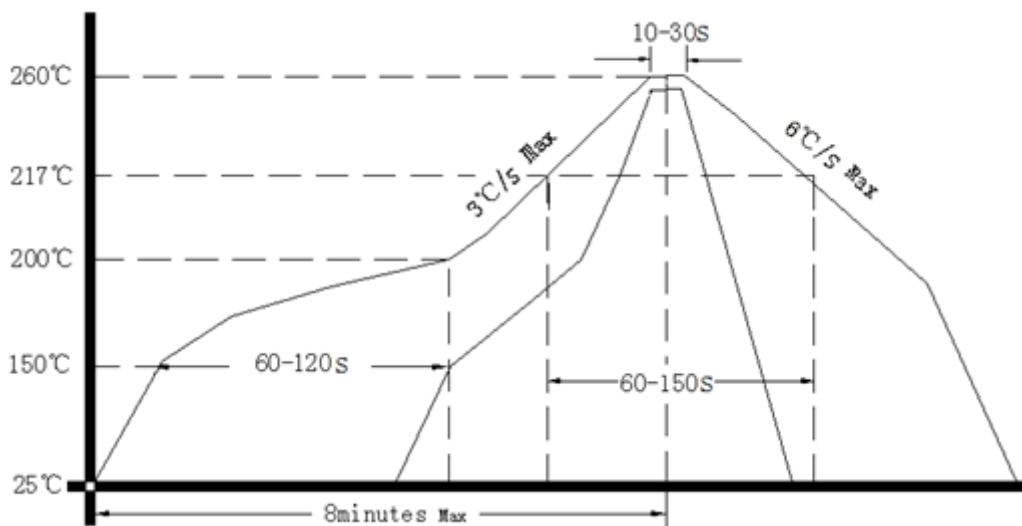
DAPU



3. Test Circuit



4. Reflow Soldering Curve (RoHS)



5. Package: Tape & Reel (mm)

