

Customer Code : _____

DATASHEET

DAPU P/N: **T22-B581-26.00MHz**

Customer P/N: _____

DAPU			Customer Approval
Drew	Audited	Approved	Stamp, please! Thanks!
Date: 2020.11.07			

Guangdong Dapu Telecom Technology Co.,Ltd

Bldg 16,.N.Ind.Zone,SSL Industry Park, Dongguan City, Guangdong Province, China

TEL: 0086-0769-88010888 FAX: 0086-0769-81800098



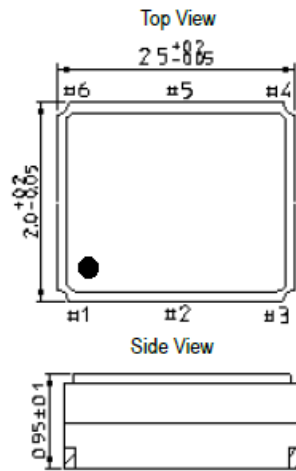
1. Electrical Parameters

MODEL: T22-B581-26.00MHz						
Item	Description	Parameters			Unit	Test Condition
		Min.	Typ.	Max.		
Output	Frequency	26.00			MHz	
	Output Waveform	Clipped Sine Wave				
	V _{p-p}	0.8			V	
	Symmetry	40		60	%	GND level(DC cut)
	Start up time			2	ms	@90% of final V _{out} level
	Harmonics			-5	dBc	
	Load	10KΩ//10pF				
Frequency Stabilities	Frequency Tolerance vs. Operating Temperature Range	-2.5		+2.5	× 10 ⁻⁶	T _A varied from -30°C to 85°C, measurement referenced to frequency observed with T _A =25°C, V _{cc} =1.8V, O _{load} =10KΩ//10pF, temperature variable speed less than 2°C per minute.
	Initial Frequency Tolerance	-1.5		+1.5	× 10 ⁻⁶	After 2 times reflow, Ref.to nominal frequency, Please leave after reflow in 2h or more at room ambient.
	Frequency Tolerance vs. Supply Voltage	-0.2		+0.2	× 10 ⁻⁶	measurement referenced to frequency observed T _A =25°C, V _{cc} varied from 1.7V to 1.9V, V _c =0.9V, and O _{Load} =10KΩ//10pF.
	Frequency Tolerance vs. Load	-0.2		+0.2	× 10 ⁻⁶	10% load change measurement referenced to frequency observed with T _A =25°C, V _{cc} =1.8V, V _c =0.9V, and O _{Load} =10KΩ//10pF.
	Aging Tolerance 1 Year	-1		+1	× 10 ⁻⁶	T _A =Room ambient.
Power Supply	Operating Current			1.5	mA	@25°C, V _{cc} =1.8V, O _{Load} =10KΩ//10pF.
	Supply Voltage	1.7	1.8	2.94	V	
Voltage Control Characteristics	Frequency Tuning Range	-15		-9	× 10 ⁻⁶	V _c =0.3V. measurement referenced to V _c =0.9V.
		-1.5		+1.5	× 10 ⁻⁶	V _c =0.9V. measurement referenced to exactly 26.00MHz.
		+9		+15	× 10 ⁻⁶	V _c =1.5V. measurement referenced to V _c =0.9 V.
	Slope	Positive				
	Input Impedance	500			KΩ	
Phase Noise	Phase Noise			-85	dBc/Hz	10Hz
				-110		100Hz
				-130		1KHz
				-140		10KHz
				-145		100KHz
				-145		1MHz

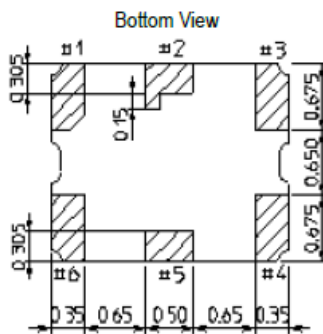
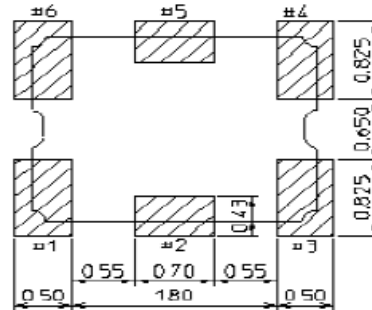


Environmental Conditions	Operable Temperature	-30		+85	°C	
	Storage Temperature	-40		+85	°C	
	ESD Level	Human Body Model,class2: 2000V to 4000V; ANSI/ESDA/JEDEC JS-001-2010.				
		Machine Model, class B: 200V to 400V; JEDEC JESD22-A115C.				
	Moisture Sensitivity Level	Level 2.				
	Vibration	Test Condition: 0.75mm ;acceleration:10g;10Hz~2000Hz, one cycle per 30 min, test 2 hour. (3 times for each 3 directions X ,Y , Z) .IEC 68-2-06 Test Fc.				
Shock	100g; 6ms; half sine wave (3 times for each 3 directions X ,Y , Z),IEC 68-2-27 Test Ea/Severity 50A.					
Full Package Storage	Relative humidity (%)	20%~70%				
	Temperature (°C)	-10~35°C				

2. Mechanical Structure(mm)



Recommended Land Pattern



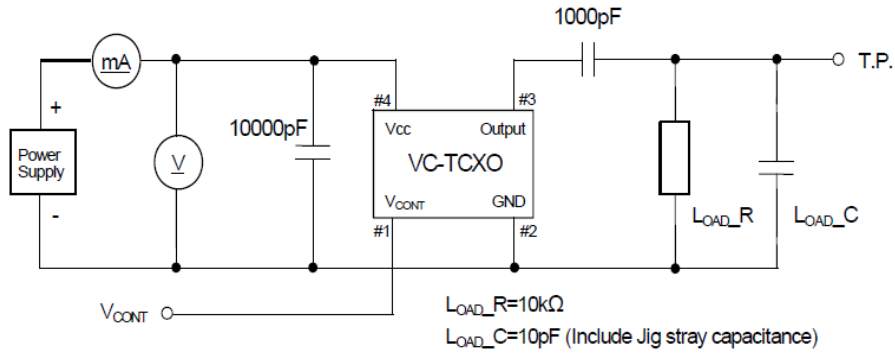
Pad No.	Connection
#1	Vcont
#3	GND
#4	Output
#6	Vcc
#2,#5	N.C.

Note1: Tolerance ± 0.1 mm without mark

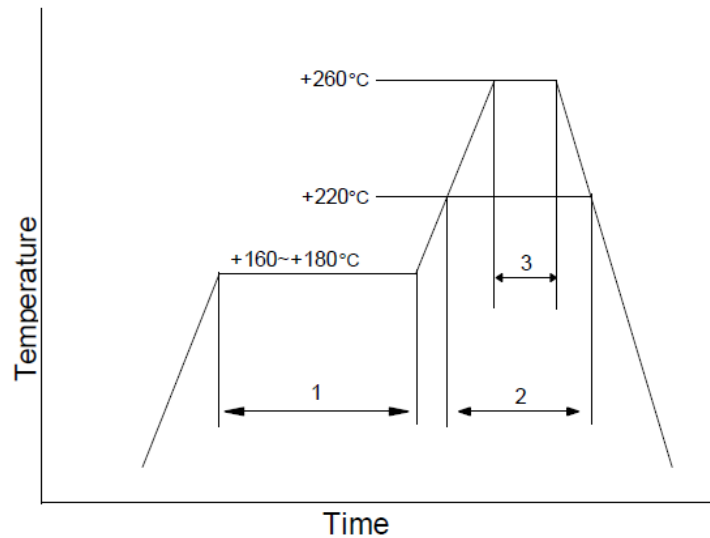
Note2: Referential weight 0.01g



3. Test Circuit



4. Reflow Soldering Curve (RoHS)



1	Preheat	+160~+180°C	120s
2	Primary Heat	+220°C	60s
3	Peak	+260°C	10s max.

5. Package: Tape & Reel (mm)

