

Travelling Merchant: \_\_\_\_\_

# DATASHEET

Standard: **DPAT18432001**

Plot			The Label
Drew	Audited	Approved	Stamp, please! Thanks!
Jack	David	William	
Date: 2022.03.30			

## Guangdong Dapu Telecom Technology Co.,LTD

Building 5, No.24, Industrial East Road, Songshanhu Park, Dongguan, Guangdong, P.R. China

TEL: 0086-0769-88010888 FAX: 0086-0769-81800098

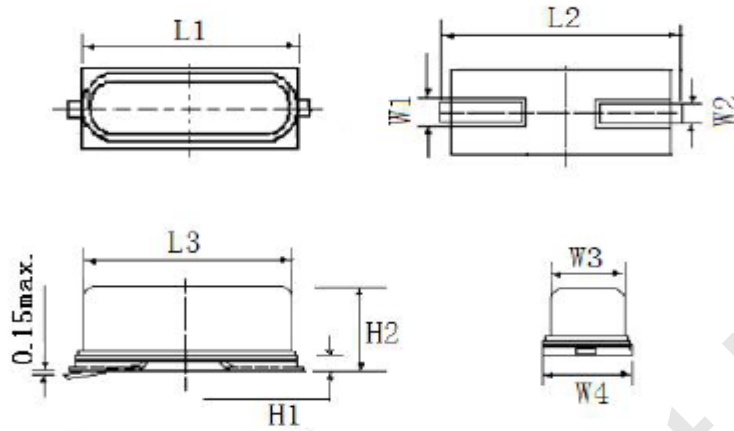


## 1. Electrical Parameters

MODEL: DPAT18432001							
No.	Parameters	SYM.	Electrical Spec.				Notes
			Min.	Typ.	Max.	Units	
1	Nominal Frequency	FL	18.432			MHz	
2	Oscillation Mode	-	Fundamental			-	AT-CUT
3	Load Capacitance	CL	20			pF	
4	Frequency Tolerance	FL	-20		+20	$\times 10^{-6}$	25°C
5	Frequency Stabilities	TC	-30		+30	$\times 10^{-6}$	T <sub>A</sub> =25°C
6	Resonant Resistance	RR			25	$\Omega$	
7	Parasitic Attenuation	SPDB			-3	dB	F0±500KHz
8	Aging	-	-5		+5	$\times 10^{-6}$	First Year
9	Drive Level	DL		100	500	$\mu$ W	
10	Insulation Resistance	-	500	-	-	M $\Omega$	At DC 100V
11	Shunt Capacitance	C0			7	pF	
12	Operating Temperature	-	-40		+85	°C	
13	Storage Temperature Range	-	-40		+105	°C	

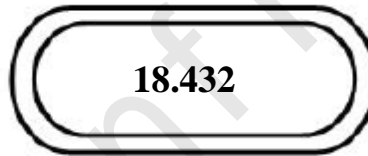


### 2. Mechanical Structure(mm)

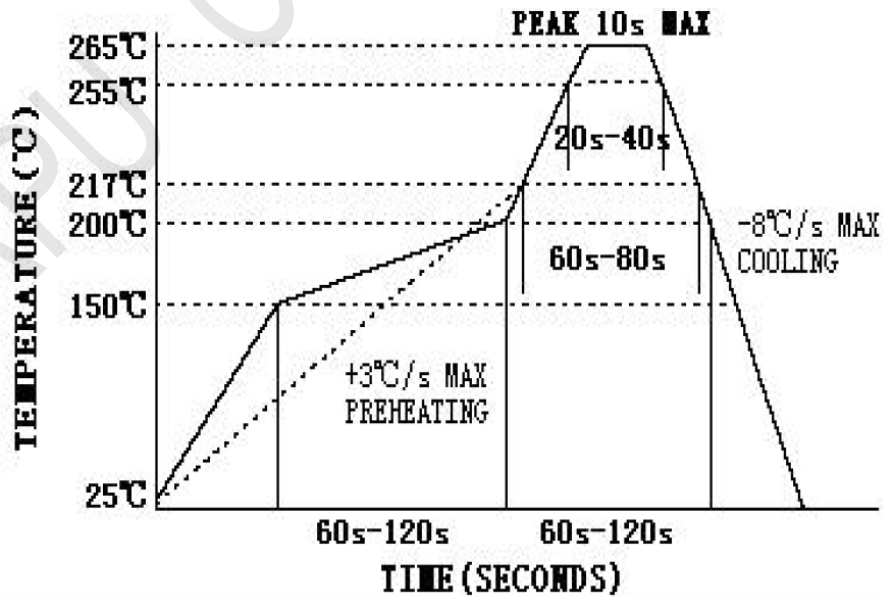


L1	L2	L3	H1	H2
11.4±0.3	12.6±0.3	9.85±0.2	0.55±0.05	3.8±0.3
W1	W2	W3	W4	
0.95±0.2	0.75±0.2	3.5±0.2	4.7±0.2	

Marking:

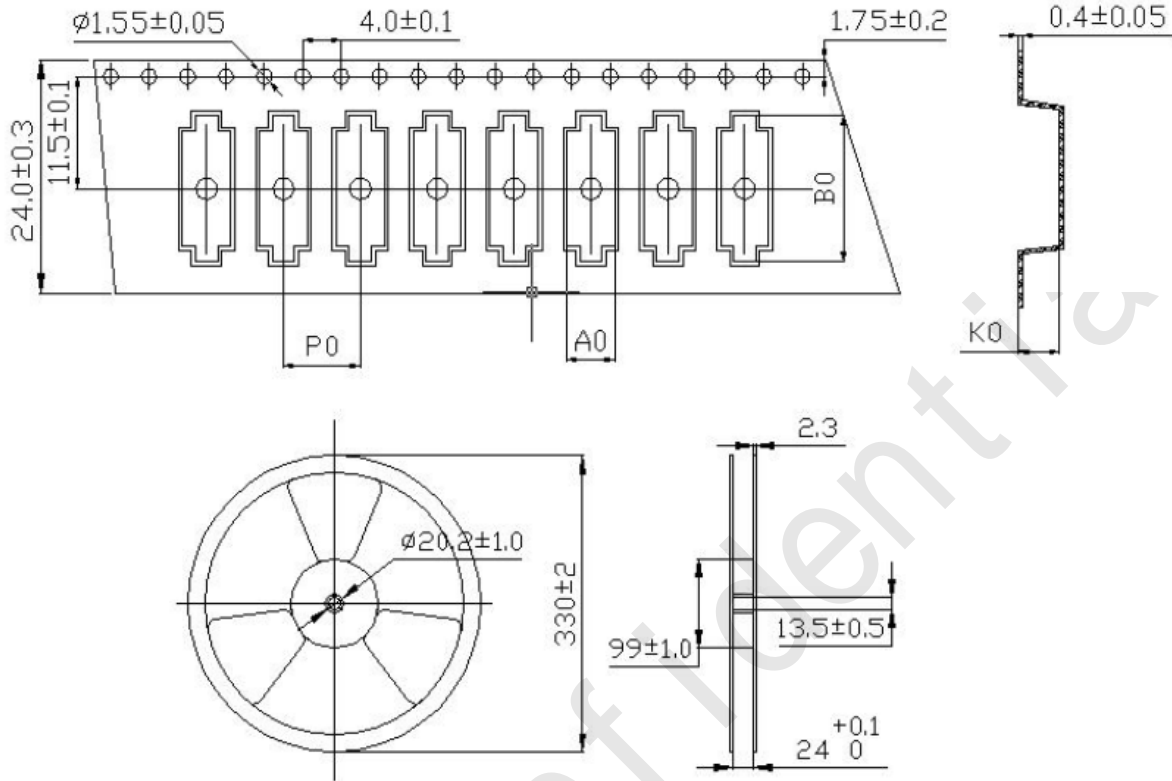


### 3. Reflow Soldering Curve (RoHS)





#### 4. Reflow Soldering Curve (RoHS)



$A_0$	$B_0$	$P_0$	$K_0$
$5.0 \pm 0.1$	$15.0 \pm 0.1$	$8.0 \pm 0.1$	$4.25 \pm 0.2$