

# 5mm SMD ISOLATOR

RF component

Datasheet No.: DP-C-0019(00)  
Date: 2022.03.31

## Customer:

南京森根科技

## Product Name:

DP-IL0520A4900-k1  
DP-IL0520B4900-k1

## Customer P/N:

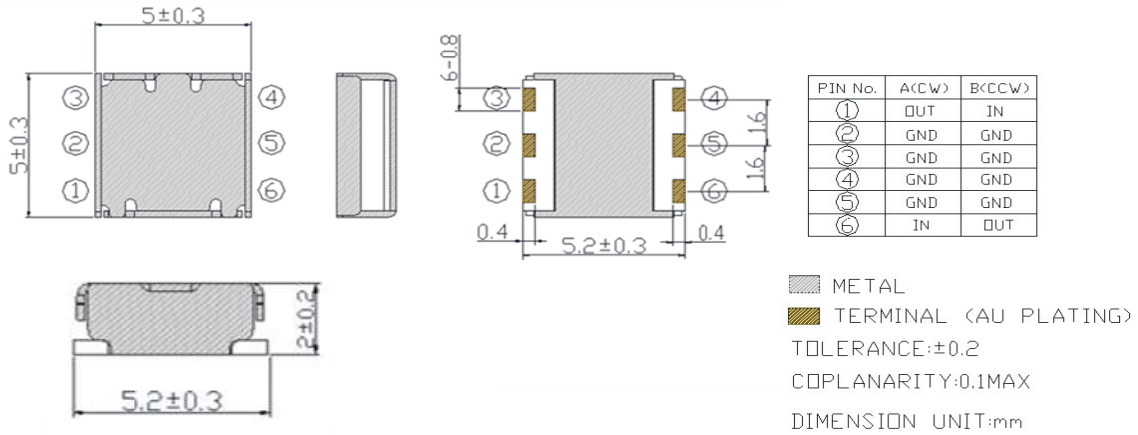


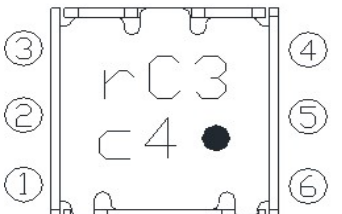
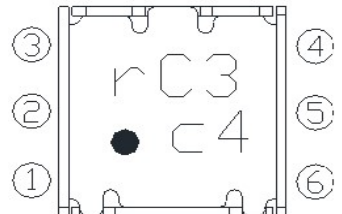
GuangdongDapuTelecomTechnologyCo.,Ltd Room, 301, 302, Block 5, 24th  
<http://www.dptel.com> Industrial East Road, Songshan Lake  
Park, Dongguan City,GuangDong  
Province,P.R.China  
TEL:0086-0769-88010888  
FAX:0086-0769-81800098

Approved	Checked	Designer
Patrick	Nina	Bill

# 5mm SMD ISOLATOR

RF component

 Datasheet No.: DP-C-0019(00)  
 Date: 2022.03.31
**MECHANICAL SPECIFICATION**

**MARKING**

DP-IL0520A4900-k1	DP-IL0520B4900-k1	①/⑥ : Out/In Port ②~⑤: Ground r: Year/ Month of Production C: Week of Production 3: Day of Production ●: Input Port c4: Frequency
Clockwise	CounterClockwise	
		

Year/Month Code											
Year	Month	Code	Year	Month	Code	Year	Month	Code	Year	Month	Code
2020 2024 2028	1	a	2021 2025 2029	1	n	2022 2026 2030	1	A	2023 2027	1	N
	2	b		2	p		2	B		2	P
	3	c		3	q		3	C		3	Q
	4	d		4	r		4	D		4	R
	5	e		5	s		5	E		5	S
	6	f		6	t		6	F		6	T
	7	g		7	u		7	G		7	U
	8	h		8	v		8	H		8	V
	9	j		9	w		9	J		9	W
	10	k		10	x		10	K		10	X
	11	l		11	y		11	L		11	Y
	12	m		12	z		12	M		12	Z

Week Code	
Week	Code
1	A
2	B
3	C
4	D
5	E

Day Code	
Day	Code
Monday	1
Tuesday	2
Wednesday	3
Thursday	4
Friday	5
Saturday	6
Sunday	7

# 5mm SMD ISOLATOR

RF component

Datasheet No.: DP-C-0019(00)  
 Date: 2022.03.31

## TEMPERATURE RANGE

Operating temperature range : -40~+85°C  
 Storage temperature range:-40~+125°C

## ELECTRICAL CHARACTERISTICS

Parameter	Unit	Frequency (MHz)			Customer Spec			DP Spec		
					Min.	Typ.	Max.	Min.	Typ.	Max.
Frequency range	MHz	4800		5000	4800		5000	4800		5000
Insertion Loss	dB									1.30
Isolation	dB							9		
Return Loss	dB							9		
Power Handling (Average)	W									5
Reflection power (Average)	W									2

## NOTES

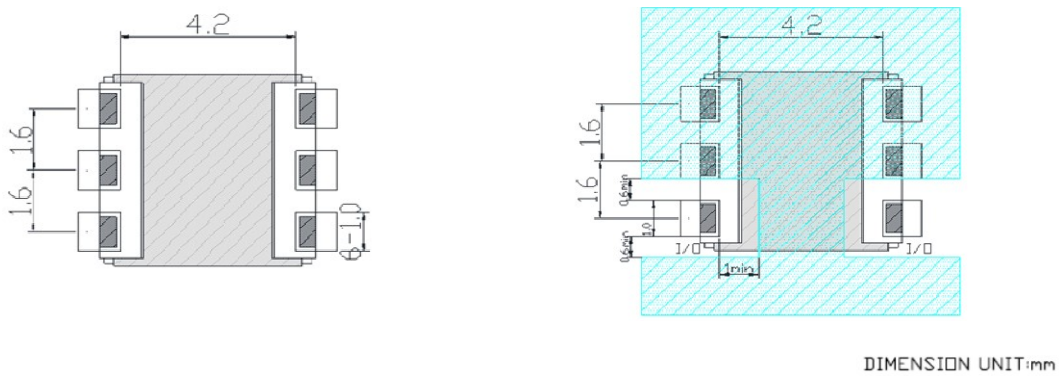
- 1.Recommend to keep 30mm above when mounted with other magnetic products.
- 2.ROHS compliance.
- 3.Isolator's characteristics are guaranteed at conditions listed at above table and it's operating temperature range.

# 5mm SMD ISOLATOR

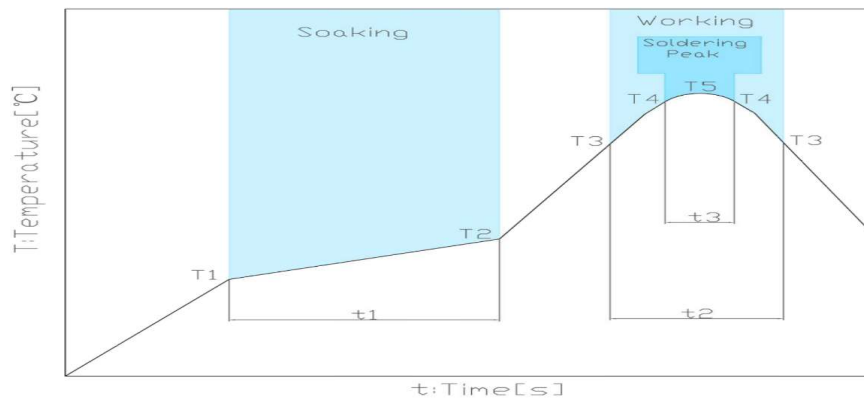
RF component

Datasheet No.: DP-C-0019(00)  
 Date: 2022.03.31

## RECOMMENDED LAND PATTERN



## RECOMMENDED REFLOW PROFILE



Soaking			Working		Soldering Peak		
Temp.	Temp.	Time	Temp.	Time	Temp.	Time	Temp.
T1	T2	t1	T3	t2	T4	t3	T5
150°C	180°C	60 to 120s	230°C	30 to 60s	250°C	within 10s	260°C max.

# 5mm SMD ISOLATOR

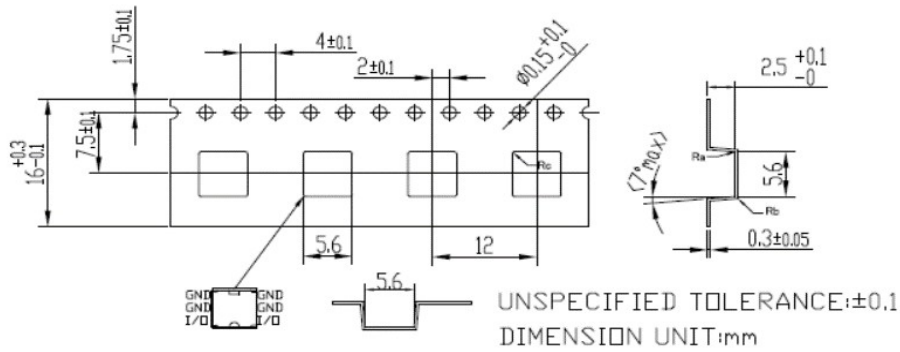
RF component

Datasheet No.: DP-C-0019(00)  
 Date: 2022.03.31

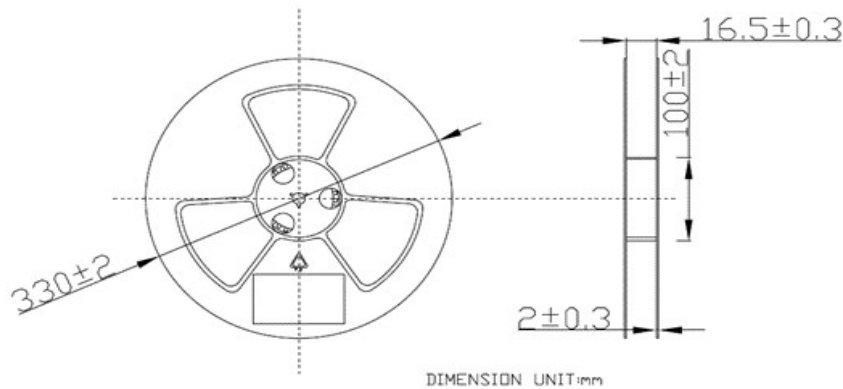
## PACKING STYLE

### REEL DIMENSIONS

Reel side  $\longrightarrow$  Pulling side



### TAPE DIMENSIONS



### PACKAGE QUANTITY

1000 PCS/REEL

# 5mm SMD ISOLATOR

RF component

Datasheet No.: DP-C-0019(00)  
 Date: 2022.03.31

Revision Records

Rev.	Date	PIC	Change item	Reasons for change
1	2022.03.31	Nina	New regulations	
2				
3				
4				
5				
6				
7				
8				