

Customer Code : _____

DATASHEET

DAPU P/N: **T21-F569-32.00MHz**

Customer P/N: _____

DAPU			Customer Approval
Drew	Audited	Approved	Stamp, please! Thanks!
Date: 2020.04.28			

Guangdong Dapu Telecom Technology Co.,Ltd

Bldg13-16,.N.Ind.Zone,SSL Industry Park, Dongguan City, Guangdong Province, China

TEL: 0086-0769-88010888 FAX: 0086-0769-81800098



1. Electrical Parameters

MODEL: T21-F569-32.00MHz						
Item	Description	Parameters			Unit	Test Condition
		Min.	Typ.	Max.		
Output	Frequency	32.00			MHz	
	Output Waveform	Clipped Sine Wave				
	Vp-p	0.8			V	
	Load	9	10	11	kΩ/pF	
Frequency Stabilities	Frequency Tolerance vs. Operating Temperature Range	-2.5		+2.5	$\times 10^{-6}$	T_A varied from -30°C to 85°C , measurement referenced to frequency observed with $T_A=25\pm 2^{\circ}\text{C}$, $V_{cc}=3.0\text{V}$, $O_{load}=10\text{K}\Omega//10\text{pF}$, temperature variable speed less than 2°C per minute.
	Nominal Frequency Tolerance	-1		+1	$\times 10^{-6}$	At $\pm 25^{\circ}\text{C} \pm 2^{\circ}\text{C}$, before reflow soldering, based on nominal frequency.
	Frequency Tolerance vs. Supply Voltage	-0.1		+0.1	$\times 10^{-6}$	measurement referenced to frequency observed $T_A=25^{\circ}\text{C}$, V_{cc} varied from 2.85V to 3.15V, and $O_{Load}=10\text{K}\Omega//10\text{pF}$.
	Frequency Tolerance vs. Load	-0.1		+0.1	$\times 10^{-6}$	10% load change measurement referenced to frequency observed with $T_A=25^{\circ}\text{C}$, $V_{cc}=3.0\text{V}$, and $O_{Load}=10\text{K}\Omega//10\text{pF}$.
	G Sensitivity			2	$\times 10^{-9}/\text{G}$	30Hz to 1500Hz random vibration in each of 3-axis.
	Aging Tolerance 1 Year	-1		+1	$\times 10^{-6}$	$T_A=25^{\circ}\text{C}$, $V_{cc}=3.0\text{V}$, and after 1h of operation.
Power Supply	Operating Current			2	mA	@ 25°C , $V_{cc}=3.0\text{V}$, $O_{Load}=10\text{K}\Omega//10\text{pF}$.
	Supply Voltage	1.8	3.0	3.15	V	
Phase Noise	Phase Noise @ 25°C		-94		dBc/Hz	10Hz
			-119			100Hz
			-141			1KHz
			-154			10KHz
			-158			100KHz

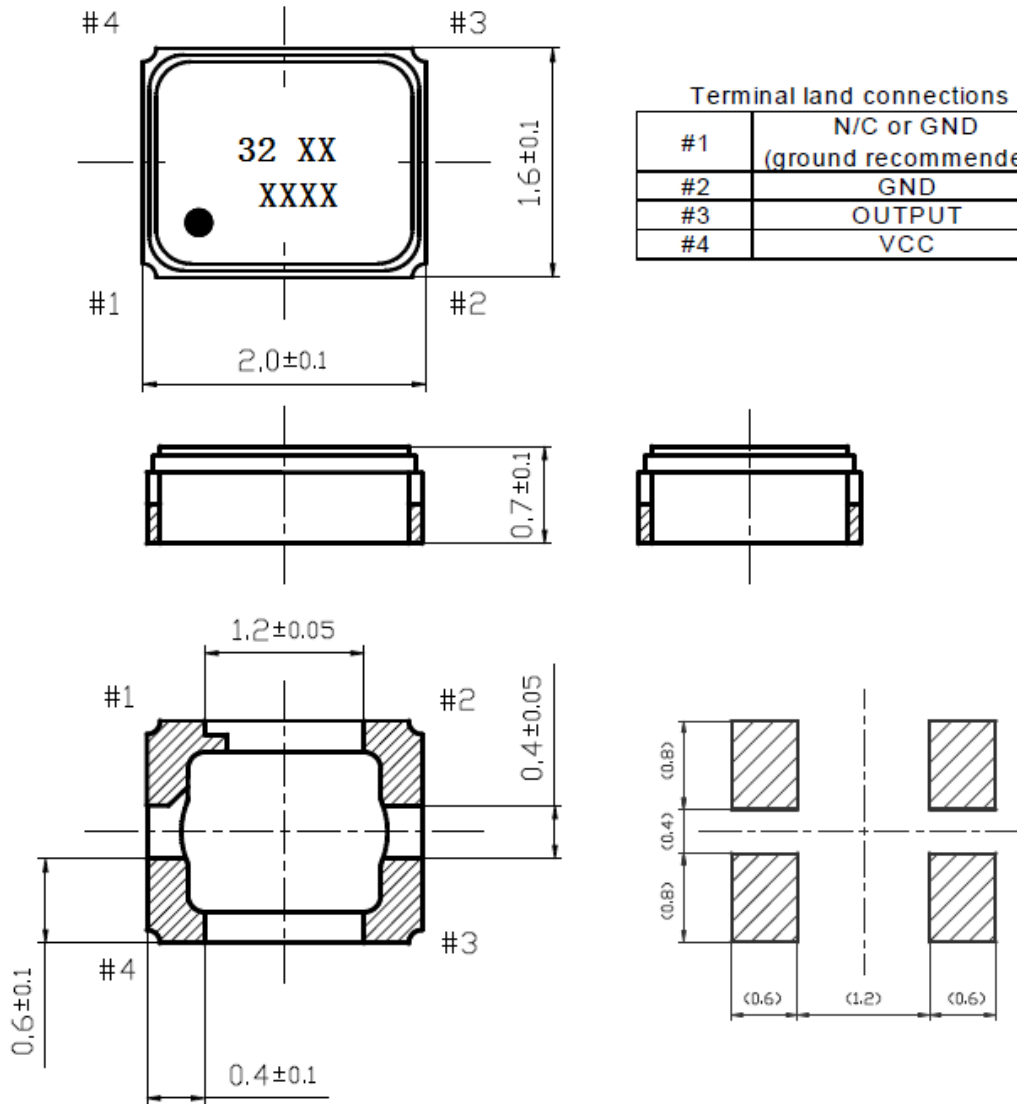


Environmental Conditions	Operable Temperature	-30		+85	°C	
	Storage Temperature	-55		+105	°C	
	ESD Level	Human Body Model,class2: 2000V to 4000V; ANSI/ESDA/JEDEC JS-001-2010.				
		Machine Model, class B: 200V to 400V; JEDEC JESD22-A115C.				
	Moisture Sensitivity Level	Level 2.				
	Vibration	Test Condition: 0.75mm ;acceleration:10g;10Hz~2000Hz, one cycle per 30 min, test 2 hour. (3 times for each 3 directions X ,Y , Z) .IEC 68-2-06 Test Fc.				
Shock	100g; 6ms; half sine wave (3 times for each 3 directions X ,Y , Z),IEC 68-2-27 Test Ea/Severity 50A.					
Full Package Storage	Relative humidity (%)	20% ~70%				
	Temperature (°C)	-10~35°C				

DAPU Confidential



2. Mechanical Structure(mm)

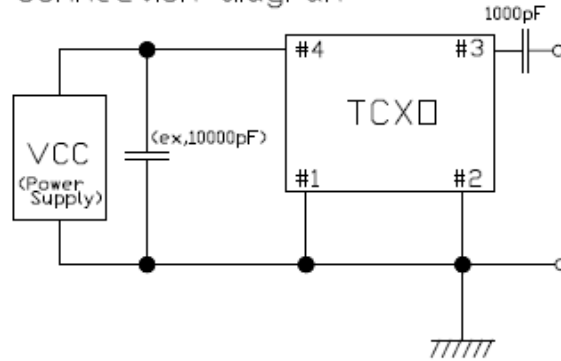


Note1: "xx" representative: Code
 "xxxx" representative: Year/Week
Note2: N/C is not connect

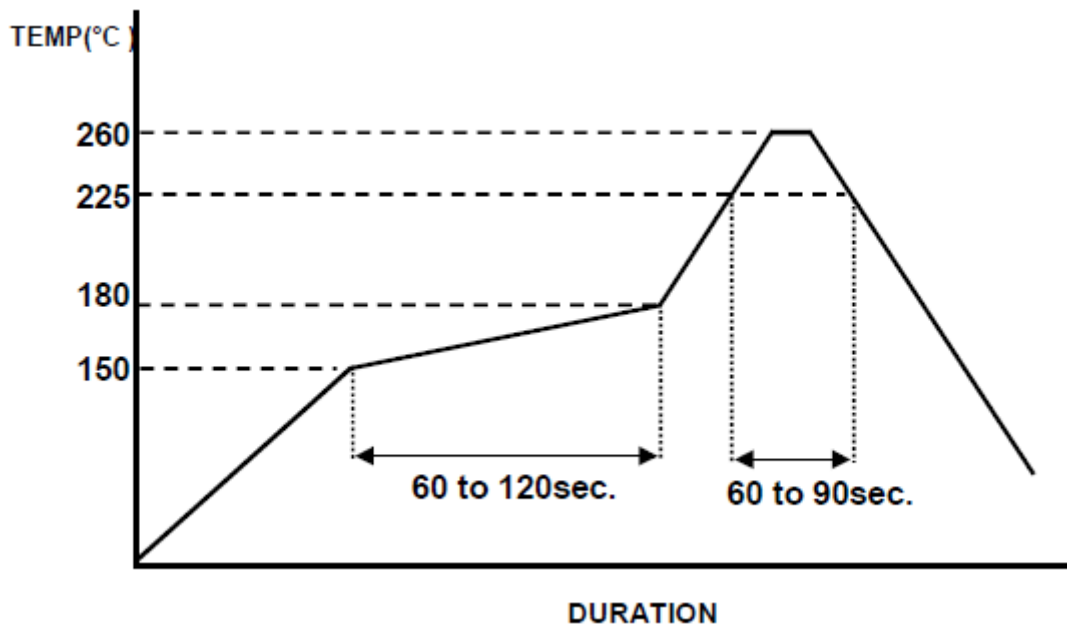


3. Test Circuit

Connection diagram



4. Reflow Soldering Curve (RoHS)



5. Package: Tape & Reel (mm)

