

Customer Code : \_\_\_\_\_

# DATASHEET

DAPU P/N: DP7C87040004

\_\_\_\_\_

Plot			The Label
Drew	Audited	Approved	Stamp, please! Thanks!
Date: 2021.01.28			

## Guangdong Dapu Telecom Technology Co.,Ltd

Building 5, No.24, Industrial East Road, Songshanhu Park, Dongguan, Guangdong, P.R. China

TEL: 0086-0769-88010888 FAX: 0086-0769-81800098

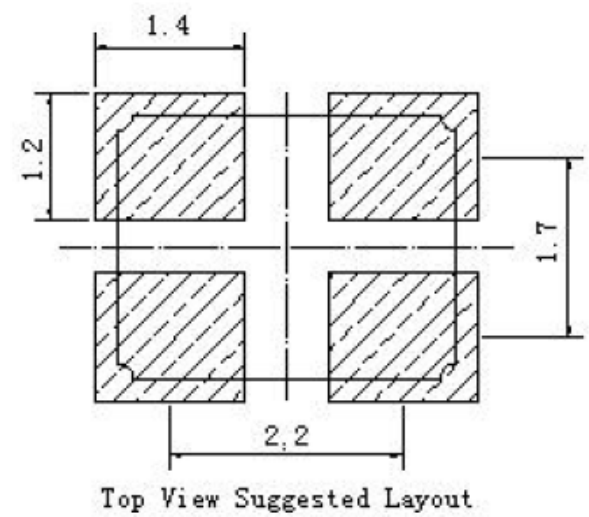
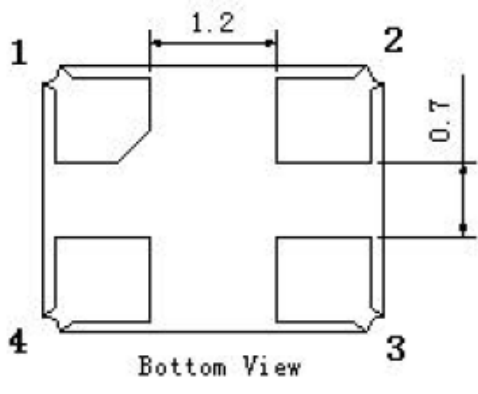
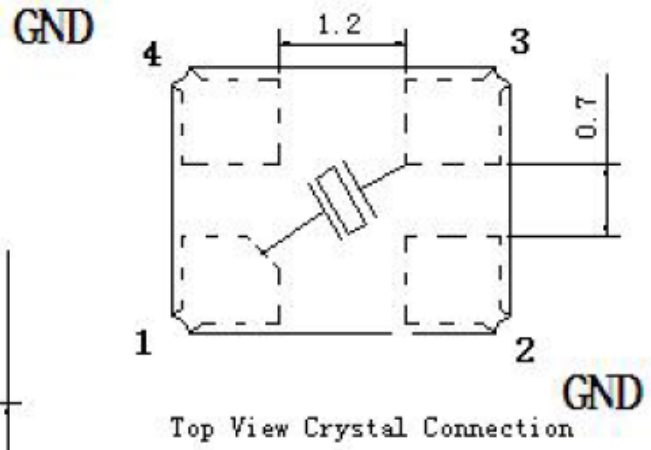
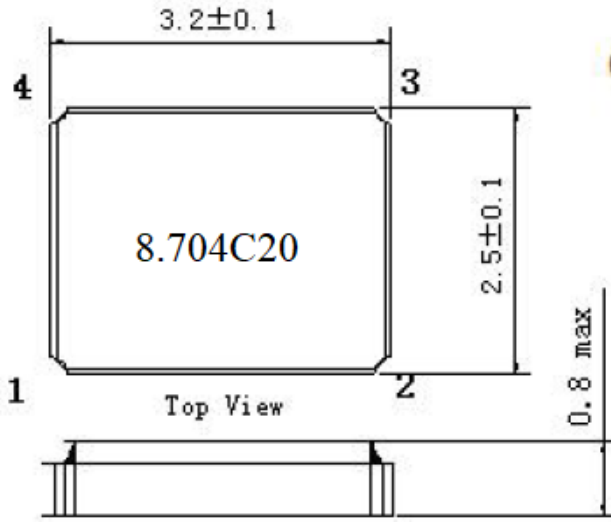


## 1、Electrical Parameters

MODEL: DP7C87040004							
No.	Parameters	SYM.	Electrical Spec.				Notes
			Min.	Typ.	Max.	Units	
1	Nominal Frequency	FL	8.704			MHz	
2	Mode		AT/Fundamental				
3	Load Capacitance (CL)		20			pF	
4	Frequency Stability		-25		+25	$\times 10^{-6}$	$T_A=25^{\circ}\text{C}$
5	Frequency Tolerance		-10		+10	$\times 10^{-6}$	@25°C +/-2°C
6	Operating Temperature	Topr	-40		+105	°C	
7	Storage Temperature	Tstg	-55		+125	°C	
8	Shunt Capacitance (C0)				3	pF	
9	Driver Level		1	100	300	$\mu\text{W}$	
10	Aging	-	-2	-	+2	$\times 10^{-6}/\text{yr.}$	First year
11	Resonant Resistance	RR			250	$\Omega$	
12	Insulation resistance	IR	500			$\Omega$	At DC 100V
13	Parasitic Attenuation	SPDB			-3	dB	F0±500KHz



## 2、Mechanical Structure(mm)



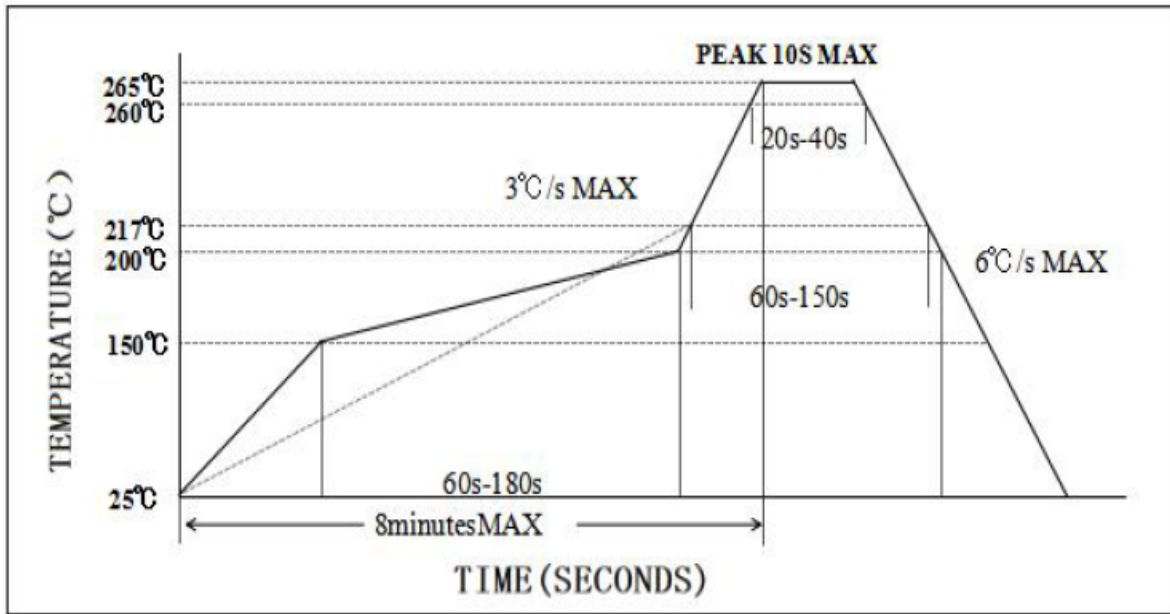
### Marking:

8.704      Frequency

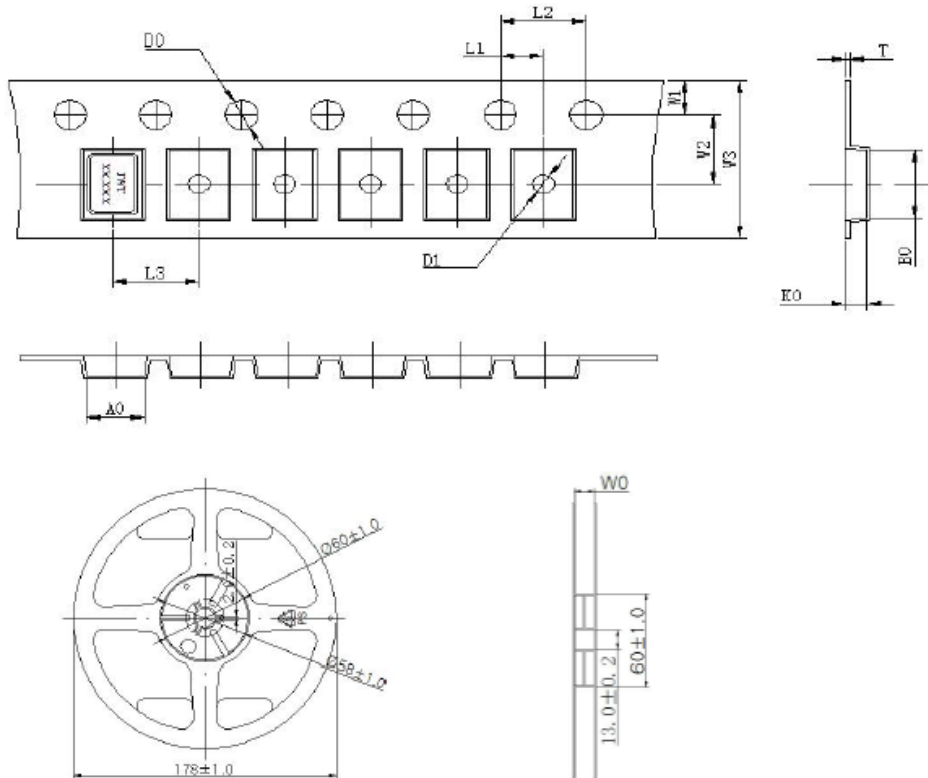
C20      Load Capacitance



### 3、Reflow Soldering Curve (RoHS)



### 4、Package: Tape & Reel (mm)



L1	2.00±0.1
L2	4.00±0.1
L3	4.00±0.1
D0	1.50±0.1
D1	1.00±0.1
W0	8.30±0.2
W1	1.75±0.1
W2	3.50±0.1
W3	8.00±0.1
A0	2.72±0.1
B0	3.46±0.1
K0	1.00±0.1
T	0.25±0.05