

# 5mm SMD ISOLATOR

RF component

Datasheet No.: DP-C-0004(00)  
Date: 2022.2.16

## Customer:

佰才邦

## Product Name:

DP-IL0520A2350-e1

DP-IL0520B2350-e1

## Customer P/N:



GuangdongDapuTelecomTechnologyCo.,Ltd Room, 301, 302, Block 5, 24th  
<http://www.dptel.com> Industrial East Road, Songshan Lake  
Park, Dongguan City, GuangDong  
Province, P.R.China  
TEL:0086-0769-88010888  
FAX:0086-0769-81800098

| Approved | Checked | Designer |
|----------|---------|----------|
| Patrick  | Nina    | Bill     |

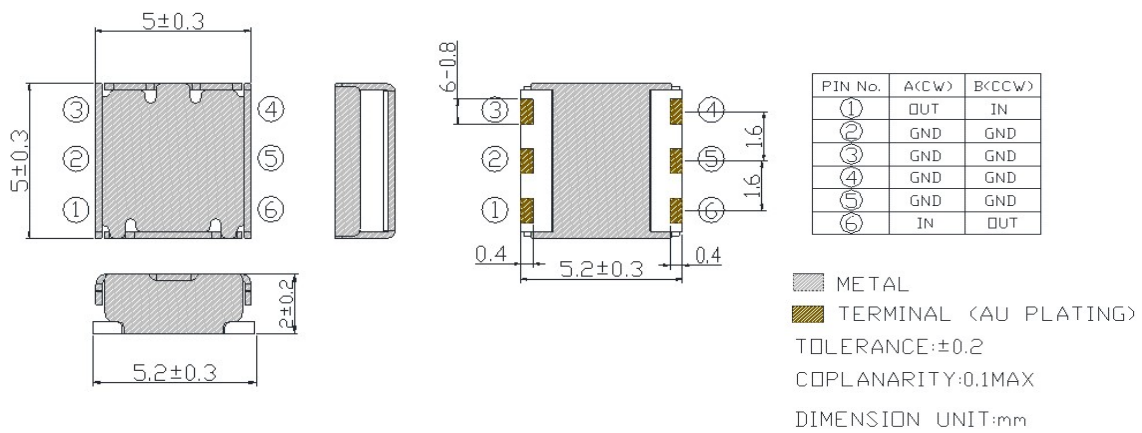
# 5mm SMD ISOLATOR

RF component

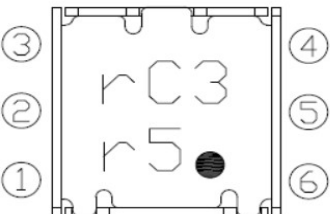
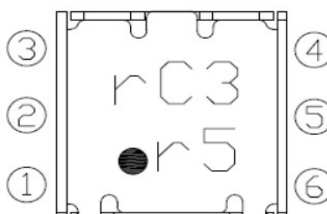
Datasheet No.: DP-C-0004(00)

Date: 2022.2.16

## MECHANICAL SPECIFICATION



## MARKING

| DP-IL0520A2350-e1   | DP-IL0520B2350-e1   | ①/⑥ : Out/In Port<br>②~⑤: Ground<br>r: Year/ Month of Production<br>C: Week of Production<br>3: Day of Production<br>r5: Frequency<br>● : Input Port |
|---|---|--|
| Clockwise   | CounterClockwise  |  |
|  |  |  |

| Year/Month Code      |       |      |                      |       |      |                      |       |      |              |       |      |
|----------------------|-------|------|----------------------|-------|------|----------------------|-------|------|--------------|-------|------|
| Year                 | Month | Code | Year                 | Month | Code | Year                 | Month | Code | Year         | Month | Code |
| 2020<br>2024<br>2028 | 1     | a    | 2021<br>2025<br>2029 | 1     | n    | 2022<br>2026<br>2030 | 1     | A    | 2023<br>2027 | 1     | N    |
|                      | 2     | b    |                      | 2     | p    |                      | 2     | B    |              | 2     | P    |
|                      | 3     | c    |                      | 3     | q    |                      | 3     | C    |              | 3     | Q    |
|                      | 4     | d    |                      | 4     | r    |                      | 4     | D    |              | 4     | R    |
|                      | 5     | e    |                      | 5     | s    |                      | 5     | E    |              | 5     | S    |
|                      | 6     | f    |                      | 6     | t    |                      | 6     | F    |              | 6     | T    |
|                      | 7     | g    |                      | 7     | u    |                      | 7     | G    |              | 7     | U    |
|                      | 8     | h    |                      | 8     | v    |                      | 8     | H    |              | 8     | V    |
|                      | 9     | j    |                      | 9     | w    |                      | 9     | J    |              | 9     | W    |
|                      | 10    | k    |                      | 10    | x    |                      | 10    | K    |              | 10    | X    |
|                      | 11    | i    |                      | 11    | y    |                      | 11    | L    |              | 11    | Y    |
|                      | 12    | m    |                      | 12    | z    |                      | 12    | M    |              | 12    | Z    |

| Week Code |      |
|-----------|------|
| Week      | Code |
| 1         | A    |
| 2         | B    |
| 3         | C    |
| 4         | D    |
| 5         | E    |

| Day Code  |      |
|-----------|------|
| Day       | Code |
| Monday    | 1    |
| Tuesday   | 2    |
| Wednesday | 3    |
| Thursday  | 4    |
| Friday    | 5    |
| Saturday  | 6    |
| Sunday    | 7    |

# 5mm SMD ISOLATOR

RF component

Datasheet No.: DP-C-0004(00)  
 Date: 2022.2.16

## TEMPERATURE RANGE

Operating temperature range : -40~+105°C  
 Storage temperature range:-40~+125°C

## ELECTRICAL CHARACTERISTICS

| Parameter                      | Unit | Frequency (MHz) |  |      | Customer Spec |      |      | DP Spec |      |      |
|--------------------------------|------|-----------------|--|------|---------------|------|------|---------|------|------|
|                                |      |                 |  |      | Min.          | Typ. | Max. | Min.    | Typ. | Max. |
| Frequency range                | MHz  | 2300            |  | 2400 | 2300          |      | 2400 | 2300    |      | 2400 |
| Insertion Loss                 | dB   | -               |  | -    |               |      |      |         |      | 0.80 |
| Isolation                      | dB   | -               |  | -    |               |      |      | 14      |      |      |
| Return loss                    | dB   | -               |  | -    |               |      |      | 14      |      |      |
| Power Handling                 | W    |                 |  |      |               |      |      |         |      | 10   |
| Reflection power               | W    |                 |  |      |               |      |      |         |      | 2    |
| Characteristic Impedance (ohm) | Ω    |                 |  |      |               |      |      |         | 50   |      |
| Case Style                     | -    |                 |  |      |               |      |      |         | SMD  |      |

## NOTES

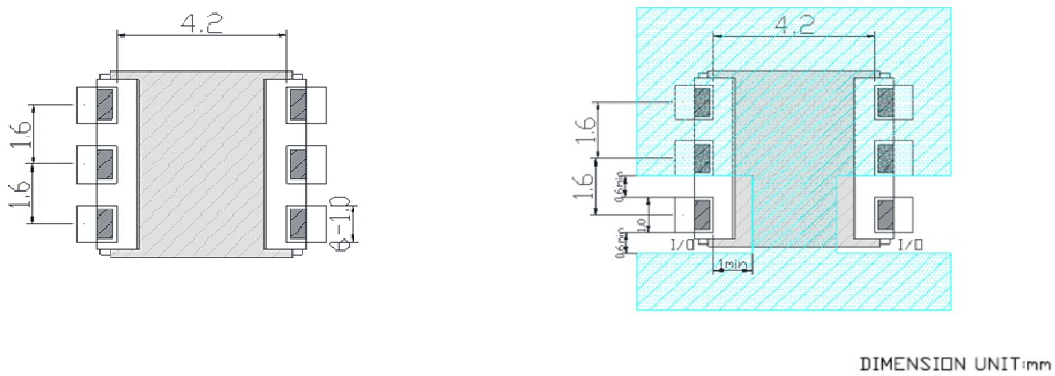
- 1.Recommend to keep 30mm above when mounted with other magnetic products.
- 2.ROHS compliance.
- 3.Isolator's characteristics are guaranteed at conditions listed at above table and it's operating temperature range.

# 5mm SMD ISOLATOR

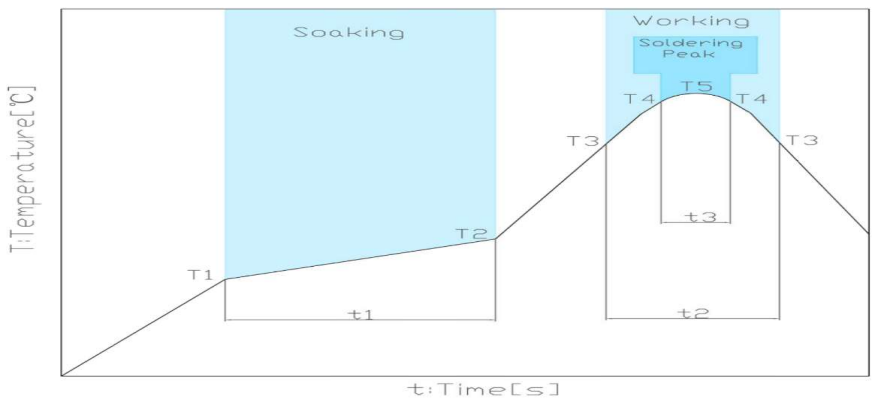
RF component

Datasheet No.: DP-C-0004(00)  
 Date: 2022.2.16

## RECOMMENDED LAND PATTERN



## RECOMMENDED REFLOW PROFILE



| Soaking |       |            | Working |           | Soldering Peak |            |            |
|---------|-------|------------|---------|-----------|----------------|------------|------------|
| Temp.   | Temp. | Time       | Temp.   | Time      | Temp.          | Time       | Temp.      |
| T1      | T2    | t1         | T3      | t2        | T4             | t3         | T5         |
| 150°C   | 180°C | 60 to 120s | 230°C   | 30 to 60s | 250°C          | within 10s | 260°C max. |

# 5mm SMD ISOLATOR

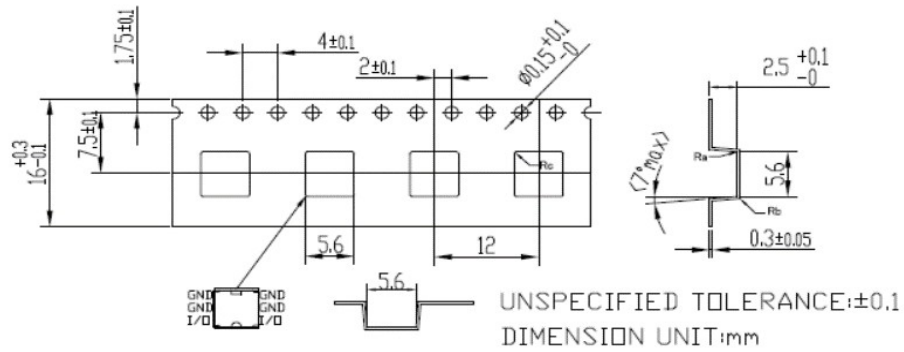
RF component

Datasheet No.: DP-C-0004(00)  
 Date: 2022.2.16

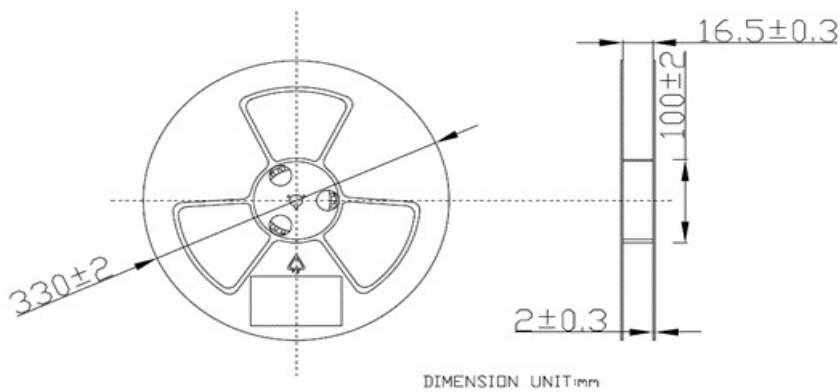
### PACKING STYLE

#### REEL DIMENSIONS

Reel side  $\longrightarrow$  Pulling side



#### TAPE DIMENSIONS



#### PACKAGE QUANTITY

1000 PCS/REEL

# 5mm SMD ISOLATOR

RF component

Datasheet No.: DP-C-0004(00)  
 Date: 2022.2.16

Revision Records

| Rev. | Date      | PIC  | Change item     | Reasons for change |
|------|-----------|------|-----------------|--------------------|
| 1    | 2022.2.16 | Bill | New regulations |                    |
| 2    |           |      |                 |                    |
| 3    |           |      |                 |                    |
| 4    |           |      |                 |                    |
| 5    |           |      |                 |                    |
| 6    |           |      |                 |                    |
| 7    |           |      |                 |                    |
| 8    |           |      |                 |                    |