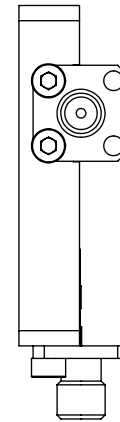
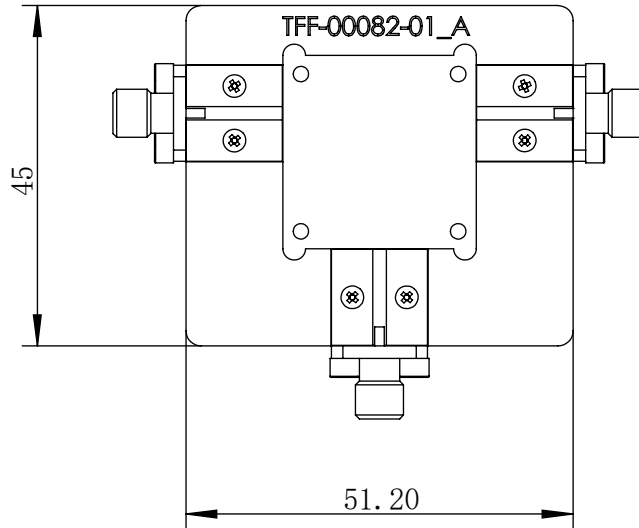
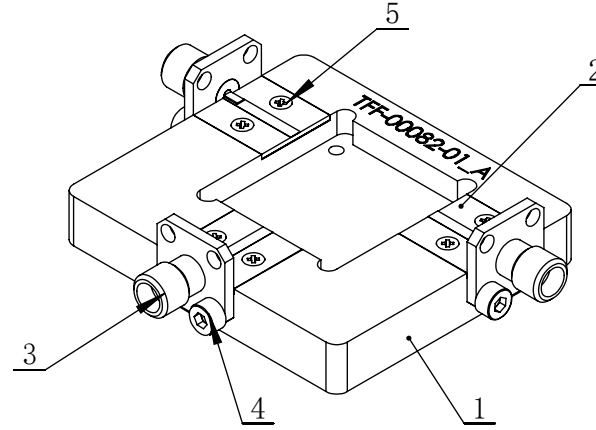
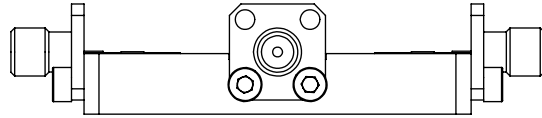

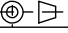


RoHS COMPLIANT

REVISIONS				
REV.	ECN NO.	DESCRIPTION	DATE	APPROVAL
A	/	Producing release	2021/7/7	



项目号	零件号	说明	数量
1	TFF-00082-01	Test Block	1
2	PCB-00007	PCB	3
3	CON-00001	CONNECTOR SMA-F	3
4	SCR-00008	M2.5X6内六角螺丝	6
5	SCR-00024	十字沉头 M1.6x4 SCREW	6

PART NAME: 测试夹具	Designed:	ZC. Wu		
	Checked:			
DRAWING NO. : TFF-00082	Approval:		TOLERANCES ON	
	The first angle projection: 			DECIMALS
DESCRIPTION: Test Fixture	Sheet 1 of 1		±0.20	±0.5°
	Scale: 1:1	Unit: mm		