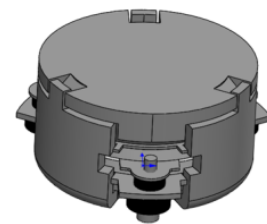




DP0119C

3300MHz to 3800MHz Single-Junction Surface Mount Circulator

REV.	DESCRIPTION	REVISOR	DATE	APPROVED
A		ZC.Wu	2019/11/22	Nick
B	Updated Spec.	ZC.Wu	2020/05/09	DP.Zhang
C	Updated the label format	ZC.Wu	2020/09/09	DP.Zhang

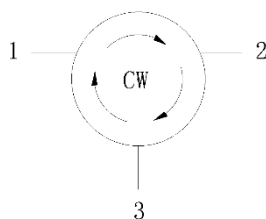


Applications:

- Wireless Infrastructure
- Power Amplifier

Features:

- Operating frequency range: 3300MHz to 3800MHz
- Operating temperature range: -40°C to +105°C
- Storage temperature range: -55°C to +150°C
- Small surface-mount package delivered on T&R
- BeO free & RoHS compliant



Block Diagram



Electrical Specifications:

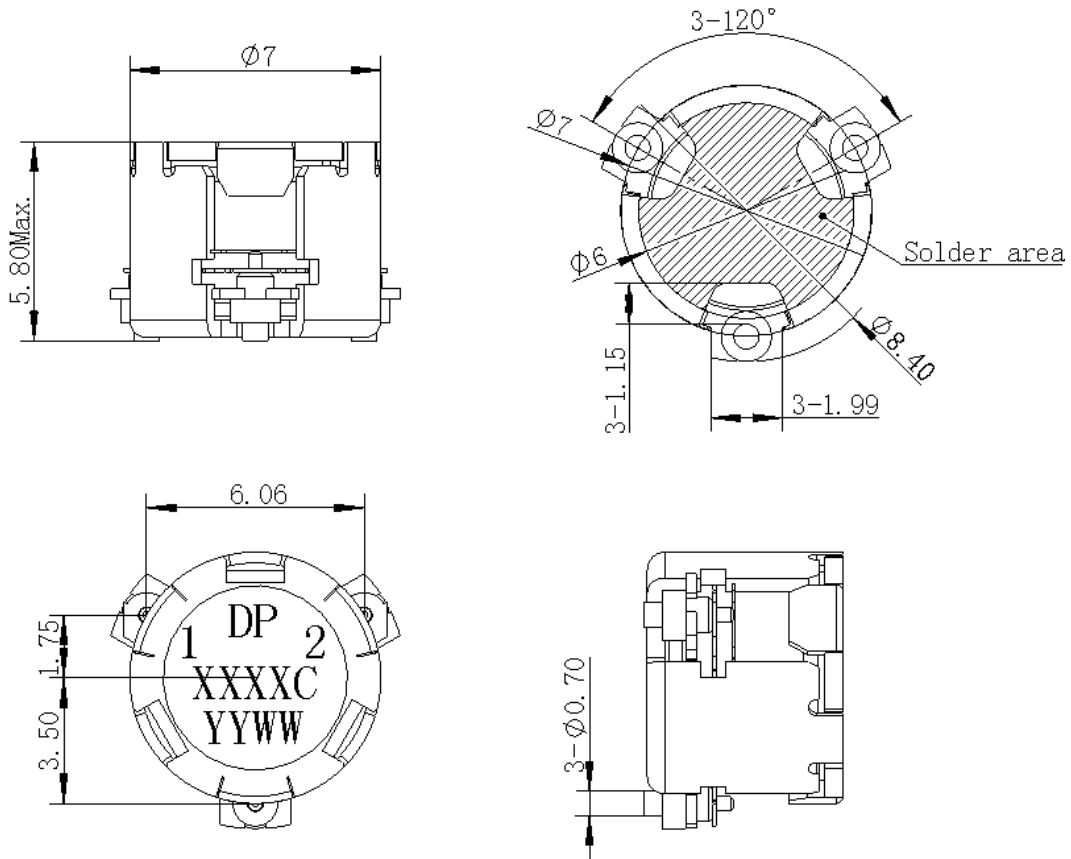
ITEM	SPECIFICATION	
Frequency	3300~3800	MHz
Direction	CW	
Impedance	Typ: 50	Ω
Insertion Loss (Max.)	0.58@3300~3800MHz 0.35@3400~3600GHz	dB
Isolation (Min.)	16@3300~3800MHz 19@3400~3600GHz	dB
Return Loss (Min.)	14@3300~3800MHz 19@3400~3600GHz	dB
3rd IMD (Max.)	-60@2x1W CW tones, 1MHz spacing	dBc
Group delay	2	ns
2nd harmonic	10	dBc
3rd harmonic	5	dBc
Power FWD/REV/PEAK	15/15/100	W
Termination/Attenuator	/	W/dB
Out Band Resonance	3000~3900MHz	
Input Impedance ,real	40 Min 75 Max	Ω
Input Impedance ,imaginary	-8j Min +8j Max	j Ω

Notes :

1. Exposure to maximum rating conditions for extended periods may reduce device reliability. There is no damage to device with only one parameter set at the limit and all other parameters set at or below their nominal value. Exceeding any of the limits listed here may result in permanent damage to the device.
2. Performance is guaranteed under the conditions listed in this table and over the operating temperature range.
3. Performance will not degrade by > 10% (Insertion loss > 20%) with an operating temperature of up to 130 °C.



Mechanical Specifications:



Unit : Millimeters

Notes:

1. The housing and pins are silver-plated.
2. Tolerance ± 0.2 mm unless otherwise specified.
3. Co-planarity Specification: 0.1 mm maximum.
4. Part Number, Lot Code, and Port Designation are printed on the top side of device.
5. The **XXXXC** on the label represents the last five digits of the Part Number
6. Date code is in format **YYWW**



PackagingStyle:

ITEM	W	A0	B0	C0	K0	D	E	F	F2	P	P0	P2	T
DIM	24	Φ7.4	9.2	2.7	6.0	Φ1.5	1.75	11.5	-	20	4	2	0.5
TOLE	±0.2	±0.2	±0.2	±0.2	±0.2	+0.1	±0.1	±0.15	±0.1	±0.1	±0.1	±0.1	±0.05

