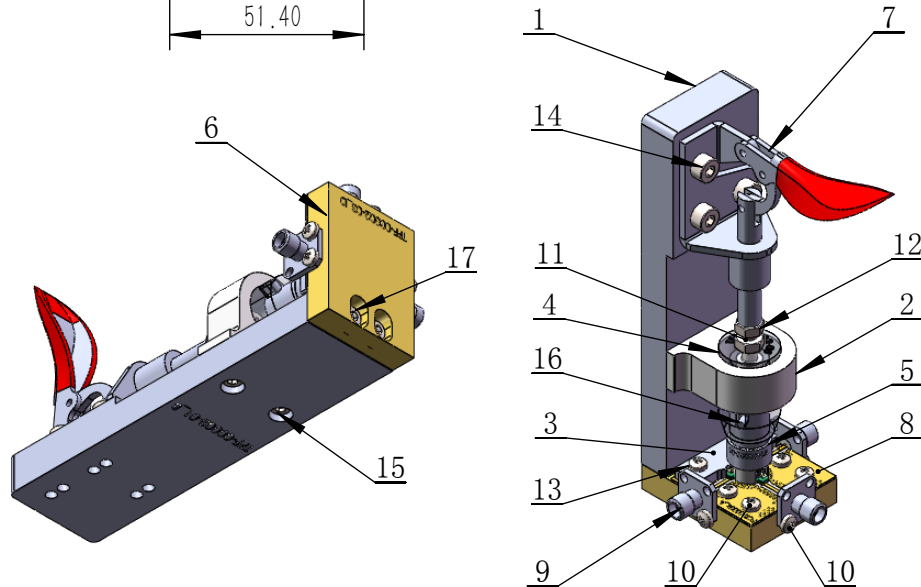
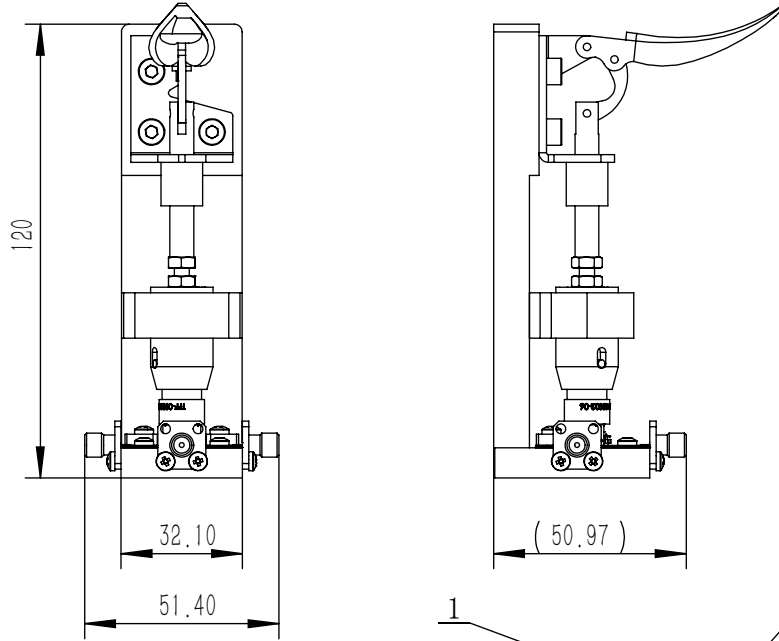



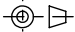
RoHS COMPLIANT

REVISIONS			
REV.	DESCRIPTION	DATE	APPROVAL
A		2019/7/16	
B	PCB-00006改为PCB-00001	2020/4/13	
C	子件TFF-00002-06由B版本物料改为C版本(平头)物料	2020/5/28	
D	子件TFF-00002-06由C版本物料改为D(B)版本(碗状)物料	2020/9/1	

注：4和5之间内置弹簧
 SPR-00001 (线径1.6x外径10x长度15)



项目号	零件号	说明	数量
1	TFF-00002-01	Fixed Block	1
2	TFF-00002-02	Guide Block	1
3	TFF-00002-04	Limited Block	1
4	TFF-00002-05	Pressure Head Fixing Seat	1
5	TFF-00002-06	Pressure Head	1
6	TFF-00002-03	Test Block	1
7	TAS-00088	GH-301-AM	1
8	PCB-00001	PCB	1
9	CON-00001	CONNECTOR SMA-F	3
10	SCR-00001	SCREW 十字盘头 M2.5X6	10
11	SCR-00002	Screw 内六角圆柱头 M4X20	1
12	NUT-00001	M4 Nut	2
13	SCR-00003	Screw 十字盘头 M2.5X8	2
14	SCR-00004	Screw 内六角圆柱头 M4X8	3
15	SCR-00005	Screw 内六角圆柱头 M3x12	2
16	DOW-00002	DOWEL $\Phi 2.0 \times 16$	1
17	SCR-00023	Screw 内六角圆柱头 M3x8	2
18	DP0187C	SMT CIRCULATOR	1

PART NAME: 测试夹具	Designed:	ZC. Wu		
	Checked:			
DRAWING NO. : TFF-00002	Approval:		TOLERANCES ON	
	The first angle projection: 			
DESCRIPTION: TEST FIXTURE	Sheet 1 of 1		DECIMALS	ANGLES
	Scale:	Unit:	.x ± 0.10	$\pm 0.5^\circ$
	1:1	mm	.xx ± 0.05	
			.xxx ± 0.02	