

5mm SMD CIRCULATOR

RF component

Datasheet No.: DP-B-0132(00)
Date: 2021.11.29

Customer:

浙江天则通信技术有限公司

Product Name:

DP-CL0520A1437-81

DP-CL0520B1437-81

Customer P/N:



GuangdongDapuTelecomTechnologyCo.,Ltd Room, 301, 302, Block 5, 24th
<http://www.dptel.com> Industrial East Road, Songshan Lake
Park, Dongguan City, GuangDong
Province, P.R.China
TEL:0086-0769-88010888
FAX:0086-0769-81800098

Approved	Checked	Designer
Patrick	Nina	Bill

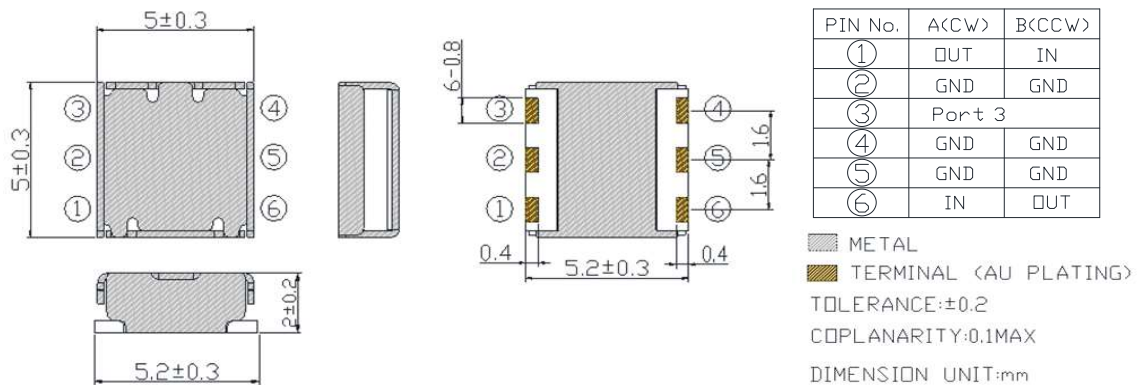
5mm SMD CIRCULATOR

RF component

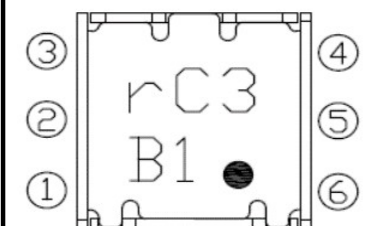
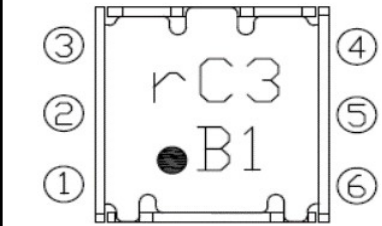
Datasheet No.: DP-B-0132(00)

Date: 2021.11.29

MECHANICAL SPECIFICATION



MARKING

DP-CL0520A1437-81	DP-CL0520B1437-81	
Clockwise	CounterClockwise	①/⑥: Out/In Port
[signal flow direction ⑥ → ①]	[signal flow direction ① → ⑥]	③: Port 3
		②④⑤: Ground
		r: Year/ Month of Production
		C: Week of Production
		3: Day of Production
		●: Input Port
		B1: Frequency

Year/Month Code											
Year	Month	Code	Year	Month	Code	Year	Month	Code	Year	Month	Code
2020 2024 2028	1	a	2021 2025 2029	1	n	2022 2026 2030	1	A	2023 2027	1	N
	2	b		2	p		2	B		2	P
	3	c		3	q		3	C		3	Q
	4	d		4	r		4	D		4	R
	5	e		5	s		5	E		5	S
	6	f		6	t		6	F		6	T
	7	g		7	u		7	G		7	U
	8	h		8	v		8	H		8	V
	9	j		9	w		9	J		9	W
	10	k		10	x		10	K		10	X
	11	l		11	y		11	L		11	Y
	12	m		12	z		12	M		12	Z

Week Code	
Week	Code
1	A
2	B
3	C
4	D
5	E

Day Code	
Day	Code
Monday	1
Tuesday	2
Wednesday	3
Thursday	4
Friday	5
Saturday	6
Sunday	7

5mm SMD CIRCULATOR

RF component

Datasheet No.: DP-B-0132(00)
 Date: 2021.11.29

TEMPERATURE RANGE

Operating temperature range : -40~+85°C

Storage temperature range:-40~+125°C

ELECTRICAL CHARACTERISTICS

Parameter	Unit	Frequency (MHz)			Customer Spec			DP Spec		
					Min.	Typ.	Max.	Min.	Typ.	Max.
Frequency range	MHz	1430		1444	1430		1444	1430		1444
Insertion Loss (S21)	dB									1.0
Isolation(S12)	dB							14		
Return Loss (S11,S22,S33)	dB							15		
Forward power handling (Average)	W									5
Forward power handling (Peak power)	W									25

NOTES

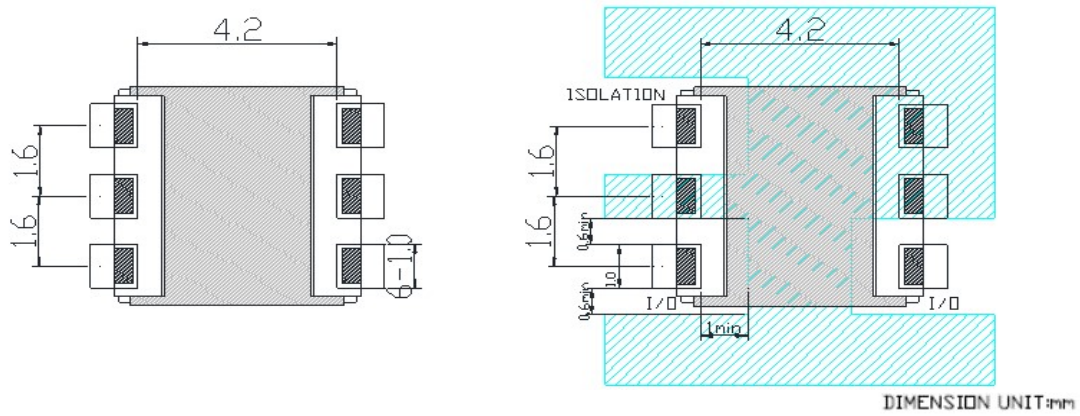
- 1.Recommend to keep 30mm above when mounted with other magnetic products.
- 2.ROHS compliance.
- 3.Isolator's characteristics are guaranteed at conditions listed at above table and it's operating temperature range.

5mm SMD CIRCULATOR

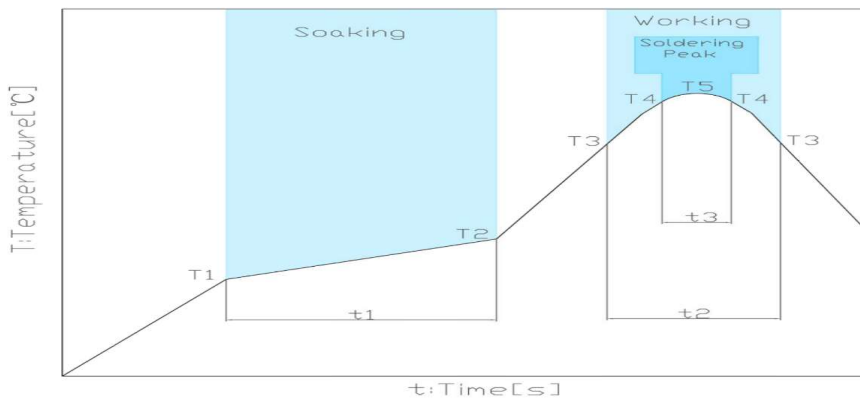
RF component

Datasheet No.: DP-B-0132(00)
 Date: 2021.11.29

RECOMMENDED LAND PATTERN



RECOMMENDED REFLOW PROFILE



Soaking			Working		Soldering Peak		
Temp.	Temp.	Time	Temp.	Time	Temp.	Time	Temp.
T1	T2	t1	T3	t2	T4	t3	T5
150°C	180°C	60 to 120s	230°C	30 to 60s	250°C	within 10s	260°C max.

5mm SMD CIRCULATOR

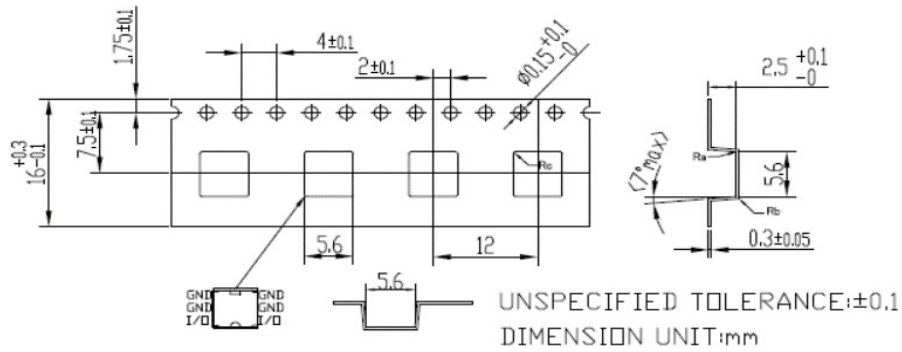
RF component

Datasheet No.: DP-B-0132(00)
 Date: 2021.11.29

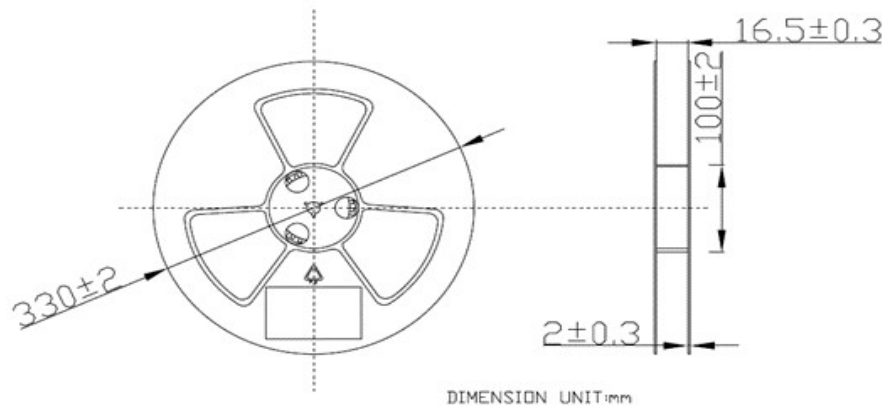
PACKING STYLE

REEL DIMENSIONS

Reel side \longrightarrow Pulling side



TAPE DIMENSIONS



PACKAGE QUANTITY

1000 PCS/REEL

5mm SMD CIRCULATOR

RF component

Datasheet No.: DP-B-0132(00)

Date: 2021.11.29

Revision Records

Rev.	Date	PIC	Change item	Reasons for change
1	2021.11.29	Bill	New regulations	
2				
3				
4				
5				
6				
7				
8				