

Travelling Merchant: _____

DATASHEET

Standard: DPAM1600005

Plot			The Label
Drew	Audited	Approved	Stamp, please! Thanks!
Date: 2021.11.16			

Guangdong Dapu Telecom Technology Co.,Ltd

Building 5, No.24, Industrial East Road, Songshanhu Park, Dongguan, Guangdong, P.R. China

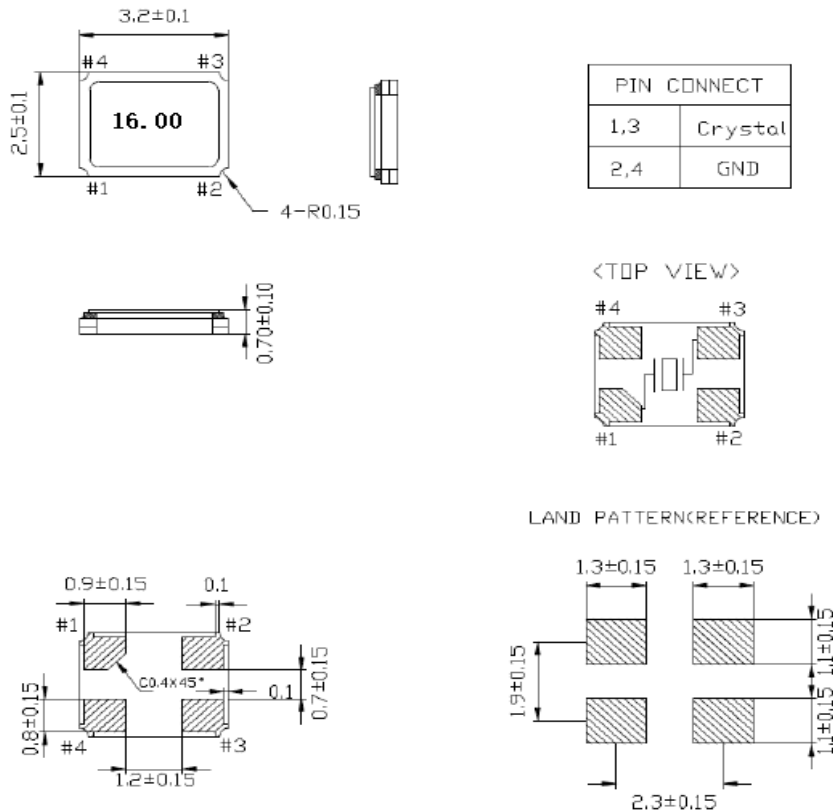
TEL: 0086-0769-88010888 FAX: 0086-0769-81800098



1、 Electrical Parameters

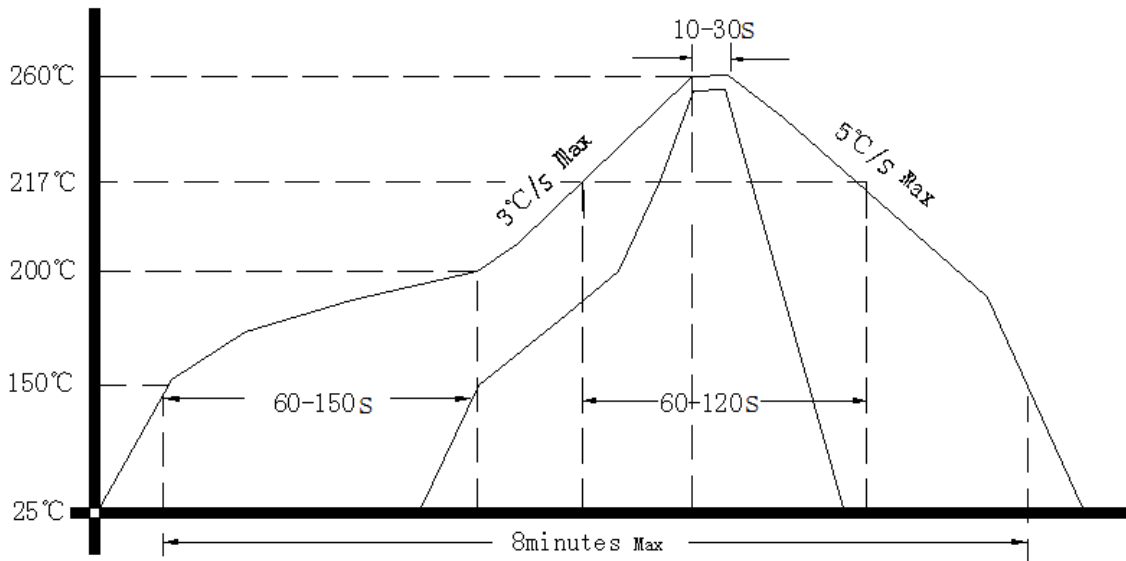
MODEL: DPAM1600005							
No.	Parameters	SYM.	Electrical Spec.				Notes
			Min.	Typ.	Max.	Units	
1	Nominal Frequency	FL	16.00			MHz	
2	Oscillation Mode	-	Fundamental			-	
3	Load Capacitance	CL	8			pF	
4	Frequency Tolerance	-	-20	-	+20	ppm	at 25°C± 3°C
5	Frequency Stability	-	-50	-	+50	ppm	Over Operating Temp. Range (Reference 25°C)
6	Operating Temperature	-	-40	~	+125	°C	
7	Aging	-	-3	-	+3	ppm	Per Year
8	Drive Level	DL	-	-	100	μW	
9	Effective Resistance Rr	Rr	-	-	80	Ω	
10	Shunt Capacitance C0	C0	-	-	3	pF	
11	Insulation Resistance	-	500	-	-	MΩ	at DC 100V
12	Storage Temperature Range	-	-40	~	+125	°C	

2、 Mechanical Structure(mm)





3、Reflow Soldering Curve (RoHS)



4、Package: Tape & Reel (mm)

