

Travelling Merchant: _____

DATASHEET

Standard: **T22-S569-32.00MHz**

P/N: _____

| Plot | | | The Label |
|------------------|---------|----------|------------------------|
| Drew | Audited | Approved | Stamp, please! Thanks! |
| | | | |
| Date: 2021.10.12 | | | |

Guangdong Dapu Telecom Technology Co.,Ltd

Building 5, No.24, Industrial East Road, Songshanhu Park, Dongguan, Guangdong, P.R. China

TEL: 0086-0769-88010888 FAX: 0086-0769-81800098



1. Electrical Parameters

| MODEL: T22-S569-32.00MHz | | | | | | |
|--------------------------|--|-------------------|------|------|------------------|--|
| Item | Description | Parameters | | | Unit | Test Condition |
| | | Min. | Typ. | Max. | | |
| Output | Frequency | 32.00 | | | MHz | |
| | Output Waveform | Clipped Sine Wave | | | | |
| | Start up time | | | 2 | ms | |
| | Vp-p | 0.8 | | | V | |
| | Load | 10KΩ//10pF | | | | |
| Frequency Stabilities | Frequency Tolerance | -2 | | +2 | $\times 10^{-6}$ | $T_A=25^{\circ}\text{C}$, After 2times reflow Ref.to nominal frequency, leave after reflow in 2h or more at room ambient. |
| | vs. Temperature Range | -1 | | +1 | $\times 10^{-6}$ | T_A varied from -40°C to 85°C , measurement referenced to frequency observed with $f_{ref}=(f_{max}+f_{min})/2$, $V_{cc}=3\text{V}$, $O_{load}=10\text{K}\Omega//10\text{pF}$, temperature variable speed less than 2°C per minute. |
| | Frequency Tolerance vs. Supply Voltage | -0.2 | | +0.2 | $\times 10^{-6}$ | measurement referenced to frequency observed $T_A=25^{\circ}\text{C}$, V_{cc} varied from 2.85V to 3.15V, and $O_{Load}=10\text{K}\Omega//10\text{pF}$. |
| | Frequency Tolerance vs. Load | -0.2 | | +0.2 | $\times 10^{-6}$ | 10% load change measurement referenced to frequency observed with $T_A=25^{\circ}\text{C}$, $V_{cc}=3\text{V}$, and $O_{Load}=10\text{K}\Omega//10\text{pF}$. |
| | Aging Tolerance 1 Year | -1 | | +1 | $\times 10^{-6}$ | $T_A=25^{\circ}\text{C}$, $V_{cc}=3\text{V}$, and after 1h of operation. |
| Power Supply | Operating Current | | | 2 | mA | @ 25°C , $V_{cc}=3\text{V}$. |
| | Supply Voltage | 1.7 | | 3.6 | V | Can support 1.8V,2.8V,3.0V,3.3V. |
| Phase Noise | Phase Noise @ 25°C | | -115 | | dBc/Hz | 100Hz |
| | | | -130 | | | 1KHz |
| | | | -150 | | | 10KHz |
| | | | -152 | | | 100KHz |

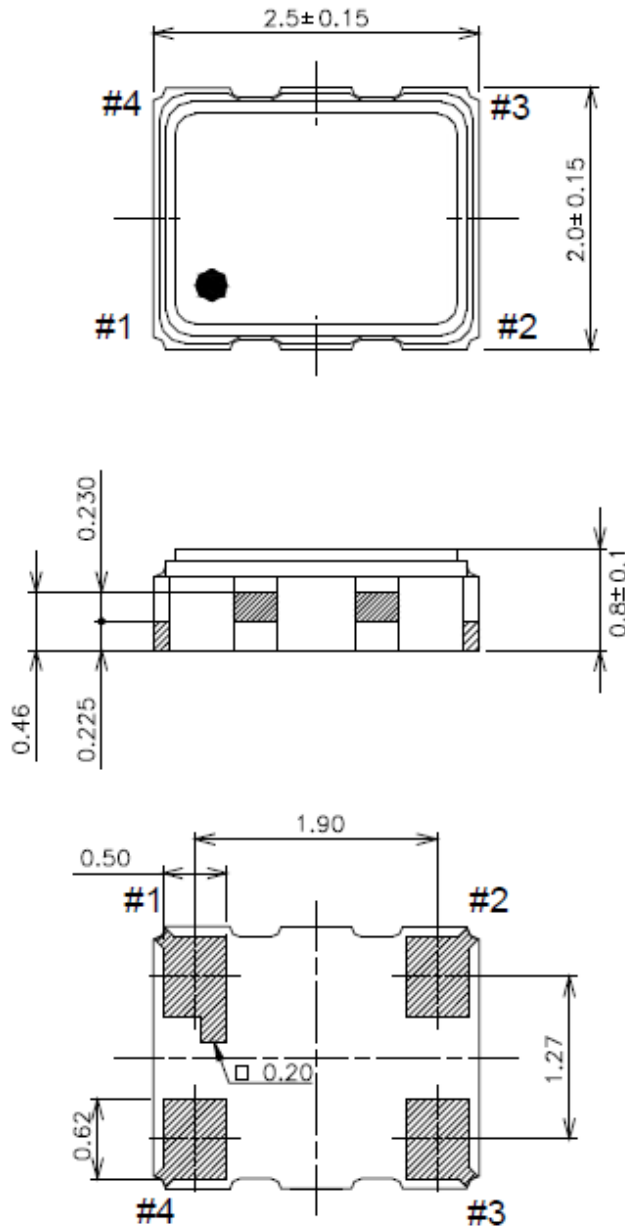


| | | | | | | |
|-----------------------------|--|---|--|-----|----|--|
| Environmental Conditions | Operable Temperature | -40 | | +85 | °C | |
| | Storage Temperature | -40 | | +85 | °C | |
| | ESD Level | Human Body Model,class2: 2000V to 4000V; ANSI/ESDA/JEDEC JS-001-2010. | | | | |
| | | Machine Model, class B: 200V to 400V; JEDEC JESD22-A115C. | | | | |
| | Moisture Sensitivity Level | Level 2. | | | | |
| | Vibration | Test Condition: 0.75mm ;acceleration:10g;10Hz~2000Hz, one cycle per 30 min, test 2 hour. (3 times for each 3 directions X , Y , Z) .IEC 68-2-06 Test Fc. | | | | |
| Shock | 100g; 6ms; half sine wave (3 times for each 3 directions X , Y, Z),IEC 68-2-27 Test Ea/Severity 50A. | | | | | |
| Full Package Storage | Relative humidity (%) | 20% ~70% | | | | |
| | Temperature (°C) | -10~35°C | | | | |

DAPU Confidential



2. Mechanical Structure(mm)



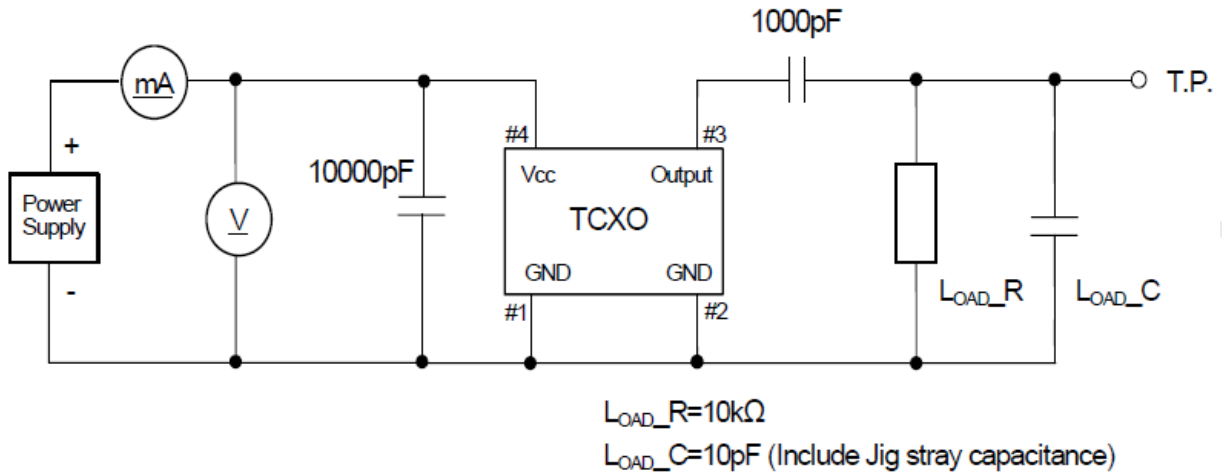
Pin Connections

| Pin No. | Connection |
|---------|-----------------|
| #1 | GND |
| #2 | GND |
| #3 | Output |
| #4 | V _{CC} |

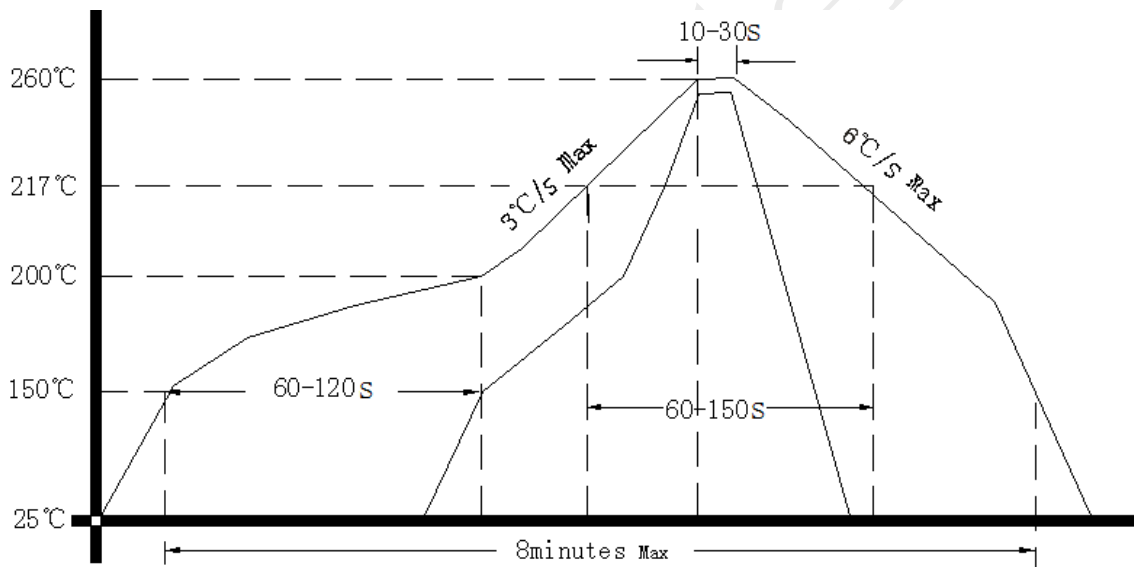
Note1: Tolerance ± 0.15 mm without mark



3. Test Circuit



4. Reflow Soldering Curve (RoHS)



5. Package: Tape & Reel (mm)

