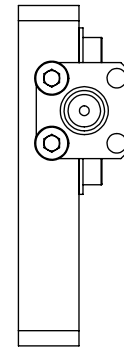
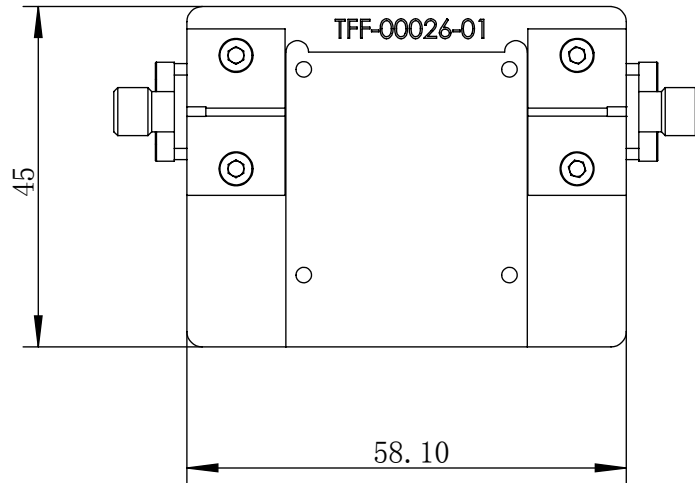
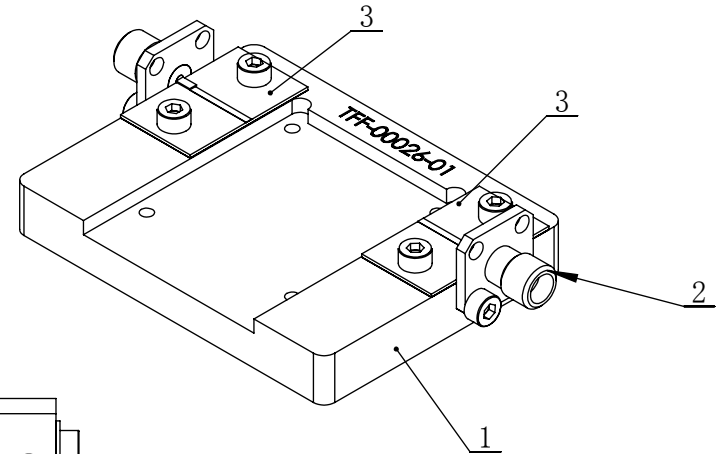
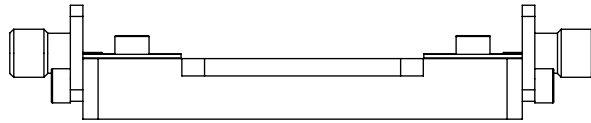

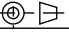


**RoHS COMPLIANT**

REVISIONS				
REV.	ECN NO.	DESCRIPTION	DATE	APPROVAL
A	-	Producing release	2020/8/3	
B	0209	同步子件TFF-00026-01升版变更	2021/4/28	



项目号	零件号	说明	数量
1	TFF-00026-01	Test Block	1
2	CON-00001	CONNECTOR SMA-F	2
3	PCB-00017	PCB	2
4	SCR-00008	M2.5X6内六角螺丝	8

PART NAME: <b>测试夹具</b>	Designed:	ZC. Wu		
	Checked:			
DRAWING NO. : <b>TFF-00026</b>	Approval:		TOLERANCES ON	
	The first angle projection: 			DECIMALS
DESCRIPTION: <b>Test Fixture</b>	Sheet 1 of 1		±0.20	±0.5°
	Scale: 1:1	Unit: mm		