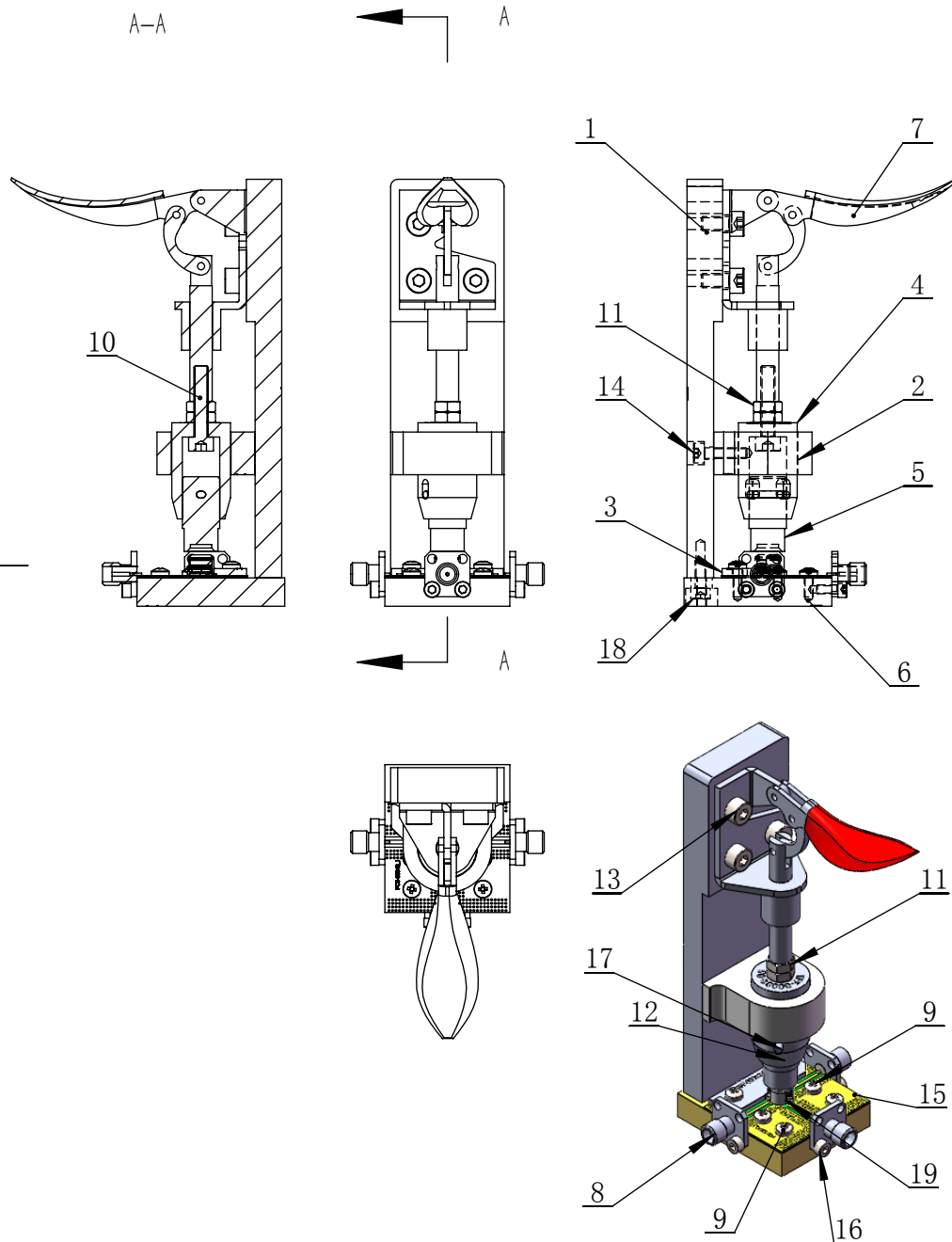



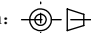
RoHS COMPLIANT

| REVISIONS | | | | |
|-----------|---------|-------------------|------------|----------|
| REV. | ECN NO. | DESCRIPTION | DATE | APPROVAL |
| A | / | Producing release | 2020/12/24 | |

注：4和5之间内置弹簧
SPR-00001 (线径1.6x外径10x长度15)



| 项目号 | 零件号 | 说明 | 数量 |
|-----|--------------|----------------------------|----|
| 1 | TFF-00012-01 | Fixed Block | 1 |
| 2 | TFF-00002-02 | Guide Block | 1 |
| 3 | TFF-00012-02 | Limited Block | 1 |
| 4 | TFF-00002-05 | Pressure Head Fixing Seat | 1 |
| 5 | TFF-00012-03 | Pressure Head | 1 |
| 6 | TFF-00054-04 | Test Block | 1 |
| 7 | TAS-00088 | GH-301-AM | 1 |
| 8 | CON-00004 | CONNECTOR SMA-F | 3 |
| 9 | SCR-00001 | SCREW 十字盘头 M2.5X6 | 4 |
| 10 | SCR-00002 | Screw 内六角圆柱头 M4X20 | 1 |
| 11 | NUT-00001 | M4 Nut | 2 |
| 12 | SCR-00003 | Screw 十字盘头 M2.5X8 | 2 |
| 13 | SCR-00004 | Screw 内六角圆柱头 M4X8 | 3 |
| 14 | SCR-00005 | Screw 内六角圆柱头 M3x12 | 2 |
| 15 | PCB-00040 | PCB | 1 |
| 16 | SCR-00008 | M2.5X6内六角螺丝 | 6 |
| 17 | DOW-00002 | DOWEL $\Phi 2.0 \times 16$ | 1 |
| 18 | SCR-00023 | Screw 内六角圆柱头 M3x8 | 2 |
| 19 | Product | SMT CIRCULATOR | 1 |

| | | | |
|------------------------------|---|------------|---|
| PART NAME: 测试夹具 | Designed: | Jie. Jiang |  |
| | Checked: | | |
| DRAWING NO. : TFF-00054 | Approval: | | TOLERANCES ON |
| | The first angle projection:  | | DECIMALS |
| DESCRIPTION: TEST FIXTURE | Sheet 1 of 1 | | .x ± 0.10 |
| | Scale: | Unit: | .xx ± 0.05 |
| | 1:1 | mm | $\pm 0.5^\circ$ |
| | | - | .xxx ± 0.02 |