

Customer Code : _____

DATASHEET

DAPU P/N: DP8W50000003

Plot			The Label
Drew	Audited	Approved	Stamp, please! Thanks!
Date: 2021.08.23			

Guangdong Dapu Telecom Technology Co.,Ltd

Building 5, No.24, Industrial East Road, Songshanhu Park, Dongguan, Guangdong, P.R. China

TEL: 0086-0769-88010888 FAX: 0086-0769-81800098

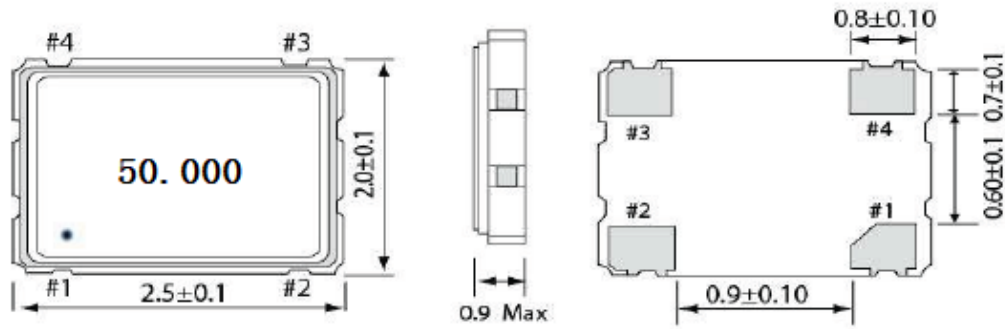


1、Electrical Parameters

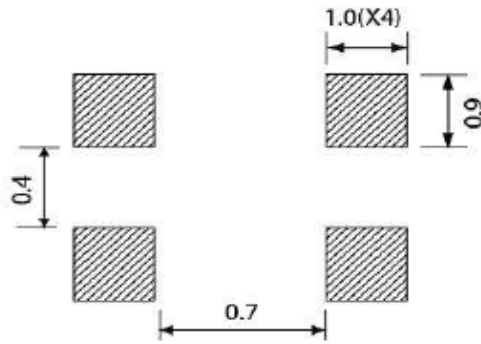
MODEL: DP8W5000003							
No.	Parameters	SYM.	Electrical Spec.				Notes
			Min.	Typ.	Max.	Units	
1	Nominal Frequency	FL	50.00			MHz	
2	Output Waveform		CMOS				
3	Frequency Stability	-	-50		+50	$\times 10^{-6}$	
4	Operating Temperature	Topr	-40	~	+105	°C	
5	Storage Temperature	Tstg	-55	~	+125	°C	
6	Supply Voltage	VDD	3.3±10%			V	
7	Current Consumption		-		1.3	mA	
8	Output Load:	CL		-	15	pF	
9	Output Voltage High	VoH	90% Vdd	-	-	V	
10	Output Voltage Low	Vol	-	-	10% Vdd	V	
11	Output Symmetry	-	45		55	%	
12	Rise Time	Tr	-	-	10	ns	10%-90% VDD Level
13	Fall Time	Tf	-	-	10	ns	90%-10% VDD Level
14	Start-up Time	Tosc	-	-	10	ms	
15	Aging Per Year		-2		+2	$\times 10^{-6}$	First Year
16	Pin 1, tri-state function	pin 1 = H or open.....output active at pin 3					
		pin 1 = L.....high impedance at pin 3					
17	ESD Level	Human Body Model, class2: 2000V to 4000V; ANSI/ESDA/JEDEC JS-001-2010.					
		Machine Model, class B: 200V to 400V; JEDEC JESD22-A115C.					
18	Moisture Sensitivity Level	Level 2.					
19	Vibration	Test Condition: 0.75mm ;acceleration:10g;10Hz~2000Hz, one cycle per 30 min, test 2 hour. (3 times for each 3 directions X ,Y , Z) .IEC 68-2-06 Test Fc.					
20	Shock	100g; 6ms; half sine wave (3 times for each 3 directions X ,Y, Z),IEC 68-2-27 Test Ea/Severity 50A.					
21	Full Package Storage	Relative humidity (%)			20%~70%		
		Temperature (°C)			-10~35°C		



2、Mechanical Structure(mm)



PIN NO	CONNECTION
#1	ED
#2	GND
#3	OUTPUT
#4	+V _{dd}

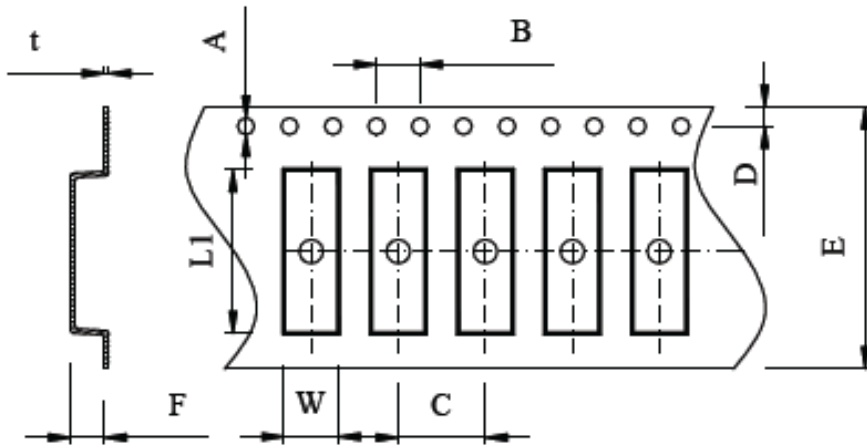


Note1: Tolerance ± 0.2 mm



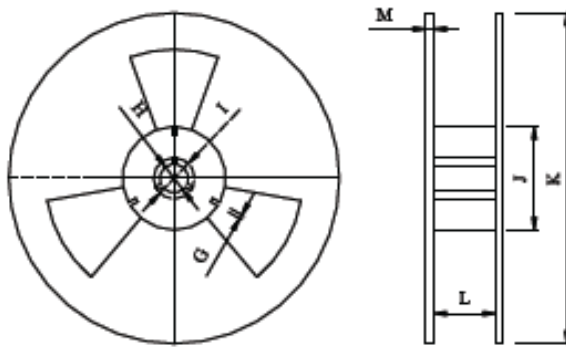
3、Package

Tape Dimensions(unit : mm)



A	B	C	D	E	F	L1	W	t
1.50±0.1	4.0±0.1	8.0±0.1	1.75±0.1	12.0±0.2	1.5	5.3±0.1	3.5±0.1	0.3

Reel Dimensions(unit: mm)



G	H	I	J	K	L	M
2.5	13.5	21.6	60.0	178	13.5	1.6

*1000pcs/Reel