

Customer Code : _____

DATASHEET

DAPU P/N: T32-P513-30.72MHz

Customer P/N: _____

| DAPU | | | Customer Approval |
|------------------|---------|----------|------------------------|
| Drew | Audited | Approved | Stamp, please! Thanks! |
| | | | |
| Date: 2021.07.16 | | | |

Guangdong Dapu Telecom Technology Co.,Ltd

Building 5, No.24, Industrial East Road, Songshanhu Park, Dongguan, Guangdong, P.R. China

TEL: 0086-0769-88010888 FAX: 0086-0769-81800098



Table of amendment

| Version | Revision contents | Prepared by | Revised date |
|---------|-------------------|--------------|--------------|
| 1.0 | The first issued | <i>Amway</i> | 2021.07.16 |
| | | | |
| | | | |
| | | | |
| | | | |
| | | | |
| | | | |
| | | | |
| | | | |
| | | | |
| | | | |
| | | | |
| | | | |
| | | | |
| | | | |
| | | | |
| | | | |
| | | | |
| | | | |



1. Electrical Parameters

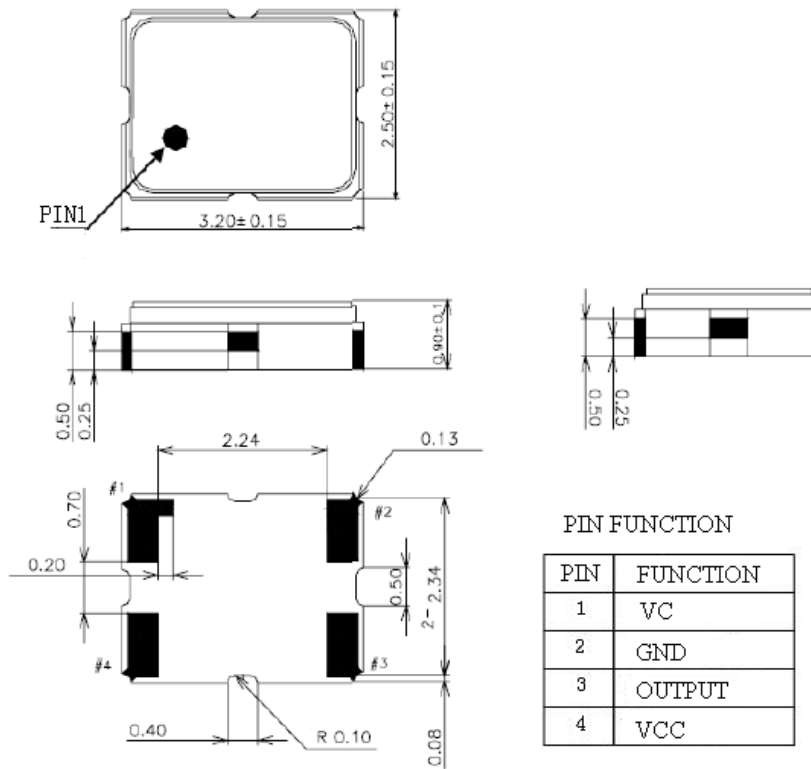
| MODEL: T32-P513-30.72MHz | | | | | | |
|--------------------------|---|-------------------|------|-------|------------------|---|
| Item | Description | Parameters | | | Unit | Test Condition |
| | | Min. | Typ. | Max. | | |
| Output | Frequency | 30.72 | | | MHz | |
| | Output Waveform | Clipped Sine Wave | | | | |
| | Vp-p | 0.8 | | | V | |
| | Load | 10KΩ//10pF | | | | |
| Frequency Stabilities | Frequency Tolerance vs. Operating Temperature Range | -2.5 | | +2.5 | $\times 10^{-6}$ | T_A varied from -40°C to 85°C , measurement referenced to frequency observed with $T_A=25^{\circ}\text{C}$, $V_{cc}=3.3\text{V}$, $V_c=1.5\text{V}$, $O_{load}=10\text{K}\Omega//10\text{pF}$, temperature variable speed less than 2°C per minute. |
| | Initial Frequency Tolerance | -1 | | +1 | $\times 10^{-6}$ | Measurement referenced to frequency observed with $T_A=25^{\circ}\text{C}$, $V_{cc}=3.3\text{V}$, $V_c=1.5\text{V}$ within 30 days after ex-works. |
| | Frequency Tolerance vs. Supply Voltage | -0.2 | | +0.2 | $\times 10^{-6}$ | measurement referenced to frequency observed $T_A=25^{\circ}\text{C}$, V_{cc} varied from 3.13V to 3.47V, $V_c=1.5\text{V}$ $O_{Load}=10\text{K}\Omega//10\text{pF}$. |
| | Frequency Tolerance vs. Load | -0.2 | | +0.2 | $\times 10^{-6}$ | 5% load change measurement referenced to frequency observed with $T_A=25^{\circ}\text{C}$, $V_{cc}=3.3\text{V}$, $V_c=1.5\text{V}$, $O_{Load}=10\text{K}\Omega//10\text{pF}$. |
| | Aging Tolerance Per Day | -0.02 | | +0.02 | $\times 10^{-6}$ | $T_A=25^{\circ}\text{C}$, $V_{cc}=3.3\text{V}$, $V_c=1.5\text{V}$ and after 1h of operation. |
| | Aging Tolerance 1 Year | -1 | | +1 | $\times 10^{-6}$ | |
| Power Supply | Operating Current | | | 3 | mA | @ 25°C , $V_{cc}=3.3\text{V}$, $V_c=1.5\text{V}$ $O_{Load}=10\text{K}\Omega//10\text{pF}$. |
| | Supply Voltage | 3.13 | 3.3 | 3.47 | V | |
| Phase Noise | Phase Noise | | -110 | -105 | dBc/Hz | 100Hz |
| | | | -130 | -125 | | 1KHz |
| | | | -150 | -145 | | 10KHz |
| | | | -155 | -150 | | 100KHz |



| | | | | | | |
|---------------------------------|---|---|--|------|------------------|---|
| Voltage Control Characteristics | Frequency Tuning Range | -15 | | -9 | $\times 10^{-6}$ | $V_c=0.5V$. measurement referenced to $V_c=1.5V$ |
| | | -1 | | +1 | $\times 10^{-6}$ | $V_c=1.5V$. measurement referenced to exactly 10.00MHz |
| | | +9 | | +15 | $\times 10^{-6}$ | $V_c=2.5$. measurement referenced to $V_c=1.5V$ |
| | Linearity | | | 10 | % | |
| | Slope | Positive | | | | |
| | Input Impedance | 100 | | | K Ω | |
| Environmental Conditions | Operable Temperature | -40 | | +85 | $^{\circ}C$ | |
| | Storage Temperature | -55 | | +105 | $^{\circ}C$ | |
| | ESD Level | Human Body Model,class2: 2000V to 4000V; ANSI/ESDA/JEDEC JS-001-2010. | | | | |
| | | Machine Model, class B: 200V to 400V; JEDEC JESD22-A115C. | | | | |
| | Moisture Sensitivity Level | Level 2. | | | | |
| | Vibration | Test Condition: 0.75mm ;acceleration:10g;10Hz~2000Hz, one cycle per 30 min, test 2 hour. (3 times for each 3 directions X ,Y , Z) .IEC 68-2-06 Test Fc. | | | | |
| Shock | 100g; 6ms; half sine wave (3 times for each 3 directions X ,Y , Z),IEC 68-2-27 Test Ea/Severity 50A. | | | | | |
| Full Package Storage | Relative humidity (%) | 20%~70% | | | | |
| | Temperature ($^{\circ}C$) | -10~35 $^{\circ}C$ | | | | |



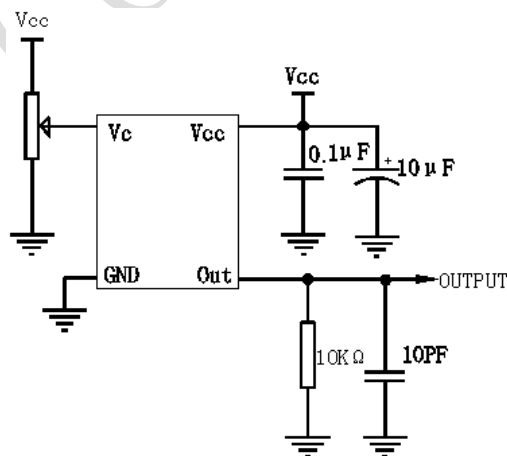
2. Mechanical Structure(mm)



Note1: Tolerance ± 0.2 mm without mark

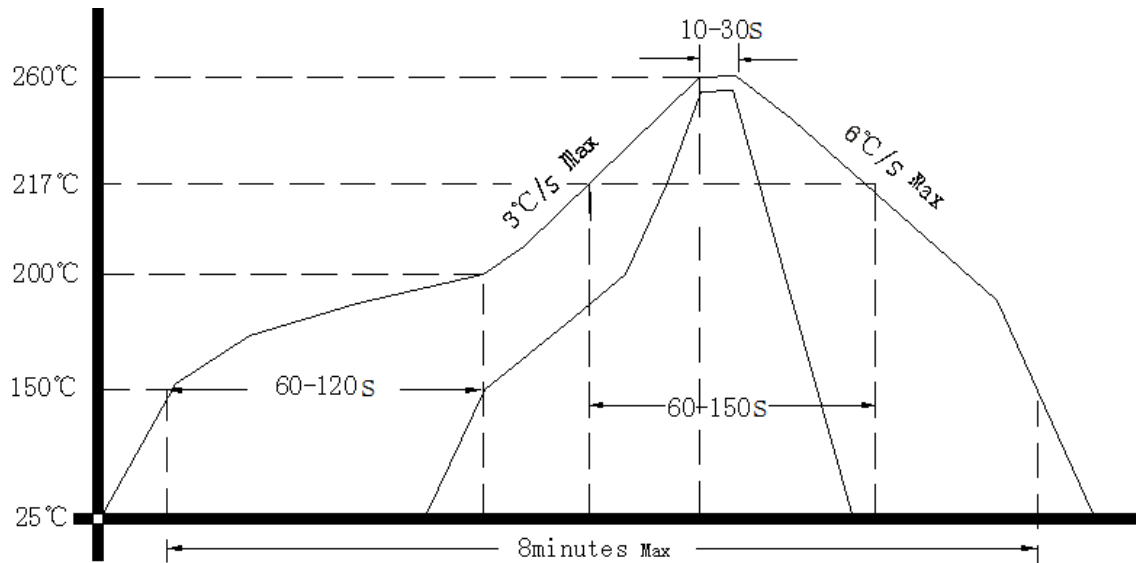
Note2: Referential weight 0.02g

3. Test Circuit





4. Reflow Soldering Curve (RoHS)



Note: If soldering with a hot air gun, ensure the temperature < 320°C , soldering time < 15 seconds.

5. Package: Tape & Reel (mm)

