

Customer Code : \_\_\_\_\_

# DATASHEET

DAPU P/N: T21-F569-32.00MHz-A

Customer P/N: \_\_\_\_\_

DAPU			Customer Approval
Drew	Audited	Approved	Stamp, please! Thanks!
Date: 2021.06.28			

## Guangdong Dapu Telecom Technology Co.,Ltd

Building 5, No.24, Industrial East Road, Songshanhu Park, Dongguan, Guangdong, P.R. China

TEL: 0086-0769-88010888 FAX: 0086-0769-81800098





## 1. Electrical Parameters

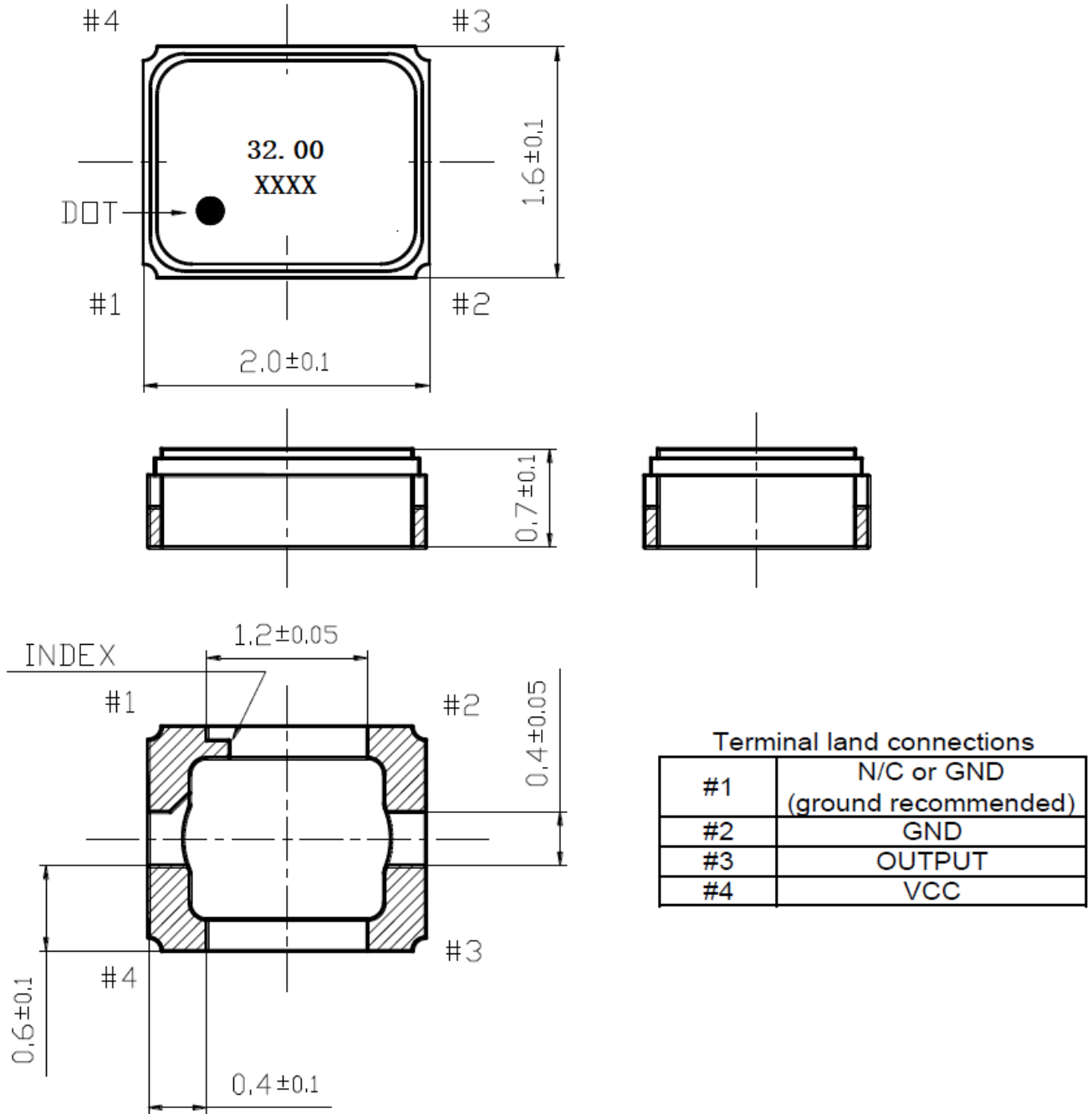
MODEL: T21-F569-32.00MHz-A						
Item	Description	Parameters			Unit	Test Condition
		Min.	Typ.	Max.		
Output	Frequency	32.00			MHz	
	Output Waveform	Clipped Sine Wave				
	Vp-p	0.8			V	
	Load	9	10	11	kΩ//pF	
Frequency Stabilities	Frequency Tolerance vs. Operating Temperature Range	-0.5		+0.5	$\times 10^{-6}$	T <sub>A</sub> varied from -30°C to 85°C, measurement referenced to frequency observed with T <sub>A</sub> =25±/2°C, V <sub>cc</sub> =3.0V, O <sub>load</sub> =10KΩ//10pF, temperature variable speed less than 2°C per minute.
	Nominal Frequency Tolerance	-1.5		+1.5	$\times 10^{-6}$	At±/25°C±/2°C, before reflow soldering, based on nominal frequency.
	Frequency Tolerance vs. Supply Voltage	-0.2		+0.2	$\times 10^{-6}$	measurement referenced to frequency observed T <sub>A</sub> =25°C, V <sub>cc</sub> varied from 1.71V to 3.5V, and O <sub>Load</sub> =10KΩ//10pF.
	Frequency Tolerance vs. Load	-0.2		+0.2	$\times 10^{-6}$	10% load change measurement referenced to frequency observed with T <sub>A</sub> =25°C, V <sub>cc</sub> =3.0V, and O <sub>Load</sub> =10KΩ//10pF.
	G Sensitivity			2	$\times 10^{-9}/G$	30Hz to 1500Hz random vibration in each of 3-axis.
	Aging Tolerance 1 Year	-1		+1	$\times 10^{-6}$	T <sub>A</sub> =25°C, V <sub>cc</sub> =3.0V, and after 1h of operation.
Power Supply	Operating Current			1.7	mA	@25°C, V <sub>cc</sub> =3.0V, O <sub>Load</sub> =10KΩ//10pF.
	Supply Voltage	1.71	3.0	3.5	V	



Phase Noise	Phase Noise @25°C			-56	dBc/Hz	1Hz
				-86		10Hz
				-108		100Hz
				-134		1KHz
				-149		10KHz
				-154		100KHz
				-154		1MHz
Environmental Conditions	Operable Temperature	-30		+85	°C	
	Storage Temperature	-55		+105	°C	
	ESD Level	Human Body Model,class2: 2000V to 4000V; ANSI/ESDA/JEDEC JS-001-2010.				
		Machine Model, class B: 200V to 400V; JEDEC JESD22-A115C.				
	Moisture Sensitivity Level	Level 2.				
	Vibration	Test Condition: 0.75mm ;acceleration:10g;10Hz~2000Hz, one cycle per 30 min, test 2 hour. (3 times for each 3 directions X , Y , Z) .IEC 68-2-06 Test Fc.				
Shock	100g; 6ms; half sine wave (3 times for each 3 directions X , Y, Z ),IEC 68-2-27 Test Ea/Severity 50A.					
Full Package Storage	Relative humidity (%)	20% ~70%				
	Temperature (°C)	-10~35°C				



## 2. Mechanical Structure(mm)

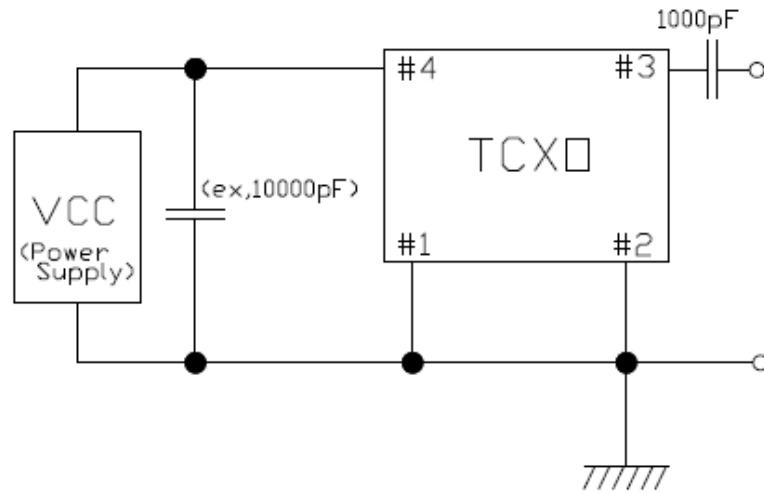


**Note1:** Tolerance  $\pm 0.2$ mm without mark

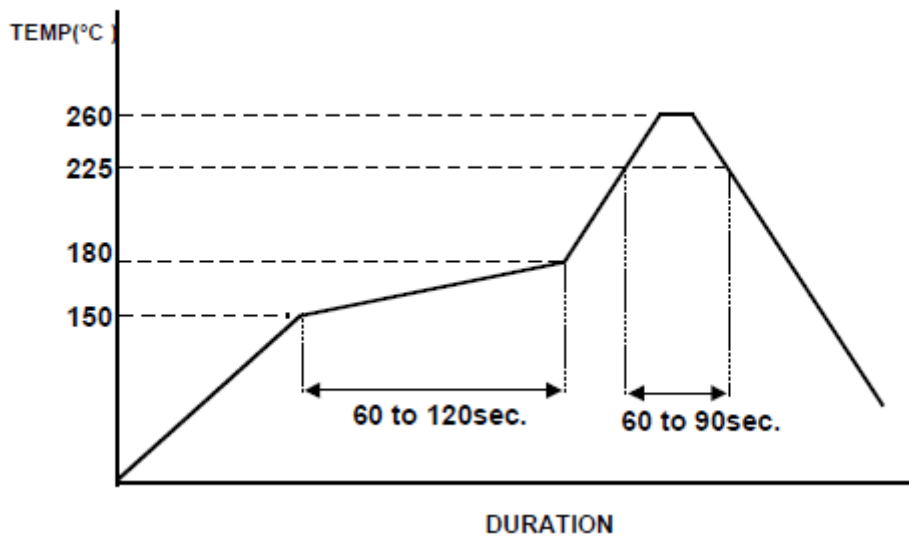
**Note2:** The first two xx representative: year  
After two xx representative: week



### 3. Test Circuit



### 4. Reflow Soldering Curve (RoHS)



### 5. Package: Tape & Reel (mm)

