

Travelling Merchant: \_\_\_\_\_

# DATASHEET

Standard: **T1612-P579-26.00MHz**

P/N: \_\_\_\_\_

Plot			The Label
Drew	Audited	Approved	Stamp, please! Thanks!
Date: 2021.06.30			

**Guangdong Dapu Telecom Technology Co.,Ltd**

Building 5, No.24, Industrial East Road, Songshanhu Park, Dongguan, Guangdong, P.R. China

TEL: 0086-0769-88010888 FAX: 0086-0769-81800098



### Table of amendment

Version	Revision contents	Prepared by	Revised date
1.0	The first issued	<i>Amway</i>	2020.11.09
1.1	The "Phase Noise" changed	<i>Amway</i>	2020.11.11
1.2	The "Mechanical Structure" "Package: Tape & Reel" changed	<i>Amway</i>	2020.11.23
1.3	Add "Harmonics" "Short-Term Stability Allan Variance", The "Phase Noise" changed	<i>Amway</i>	2021.06.30



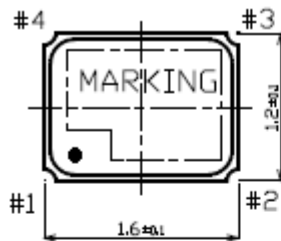
## 1. Electrical Parameters

MODEL: T1612-P579-26.00MHz						
Item	Description	Parameters			Unit	Test Condition
		Min.	Typ.	Max.		
Output	Frequency	26.00			MHz	
	Output Waveform	Clipped Sine Wave				
	Vp-p	0.8			V	
	Load	10KΩ//10pF				
	Harmonics				-20	dBc
				-10	dBc	3 <sup>rd</sup>
				-60	dBc	34 <sup>th</sup> ,36 <sup>th</sup> ,>69 <sup>th</sup>
				-18	dBc	other
Frequency Stabilities	Frequency Tolerance	-2		+2	× 10 <sup>-6</sup>	@25°C ± 2°C, after 2times reflow soldering, based on nominal frequency.
	vs. Temperature Range	-0.5		+0.5	× 10 <sup>-6</sup>	T <sub>A</sub> varied from -30°C to 85°C, measurement referenced to frequency observed with f <sub>ref</sub> =(f <sub>max</sub> +f <sub>min</sub> )/2, V <sub>cc</sub> =1.8V, O <sub>load</sub> =10KΩ//10pF, temperature variable speed less than 2°C per minute.
	Frequency Tolerance vs. Supply Voltage	-0.1		+0.1	× 10 <sup>-6</sup>	5% Voltage change measurement referenced to frequency observed T <sub>A</sub> =25°C ± 2°C, and O <sub>Load</sub> =10KΩ//10pF.
	Frequency Tolerance vs. Load	-0.1		+0.1	× 10 <sup>-6</sup>	10% load change measurement referenced to frequency observed with T <sub>A</sub> =25°C ± 2°C, V <sub>cc</sub> =1.8V, and O <sub>Load</sub> =10KΩ//10pF.
	Short-Term Stability Allan Variance			1	× 10 <sup>-9</sup>	Temperature stability, no EMI\EMC or other interference, test after power for 1hour ref. to 25°C; 1s.
	Aging Tolerance 1 Year	-1		+1	× 10 <sup>-6</sup>	T <sub>A</sub> =25°C ± 2°C, V <sub>cc</sub> =1.8V, and after 1h of operation.
Phase Noise	Phase Noise		-113	-108	dBc/Hz	100Hz
			-136	-131		1KHz
			-149	-144		10KHz
			-151	-146		100KHz
			-151	-146		1MHz
Power Supply	Operating Current			1.5	mA	@25°C ± 2°C, V <sub>cc</sub> =1.8V.
	Supply Voltage	1.68	1.8	3.63	V	



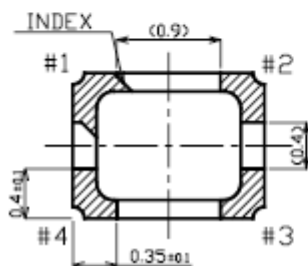
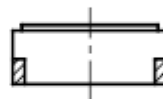
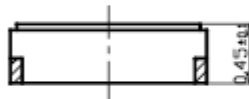
Environmental Conditions	Operable Temperature	-30		+85	°C	
	Storage Temperature	-40		+85	°C	
	ESD Level	Human Body Model,class2: 2000V to 4000V; ANSI/ESDA/JEDEC JS-001-2010.				
		Machine Model, class B: 200V to 400V; JEDEC JESD22-A115C.				
	Moisture Sensitivity Level	Level 2.				
	Vibration	Test Condition: 0.75mm ;acceleration:10g;10Hz~2000Hz, one cycle per 30 min, test 2 hour. (3 times for each 3 directions X , Y , Z ).IEC 68-2-06 Test Fc.				
Shock	100g; 6ms; half sine wave (3 times for each 3 directions X , Y , Z ),IEC 68-2-27 Test Ea/Severity 50A.					
Full Package Storage	Relative humidity (%)	20% ~70%				
	Temperature (°C)	-10~35°C				

## 2. Mechanical Structure(mm)



### Marking

- (1) Lot No.
- (2) Manufacture Code
- (3) Nominal frequency (MHz)
- (4) Trace code

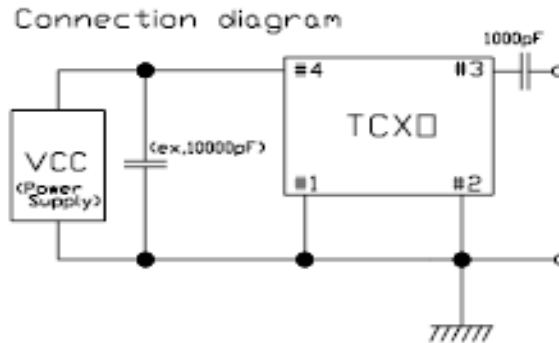


PAD No.	Terminal land Connections
#1	N/C or GND (ground recommended)
#2	GND
#3	OUTPUT
#4	V <sub>cc</sub>

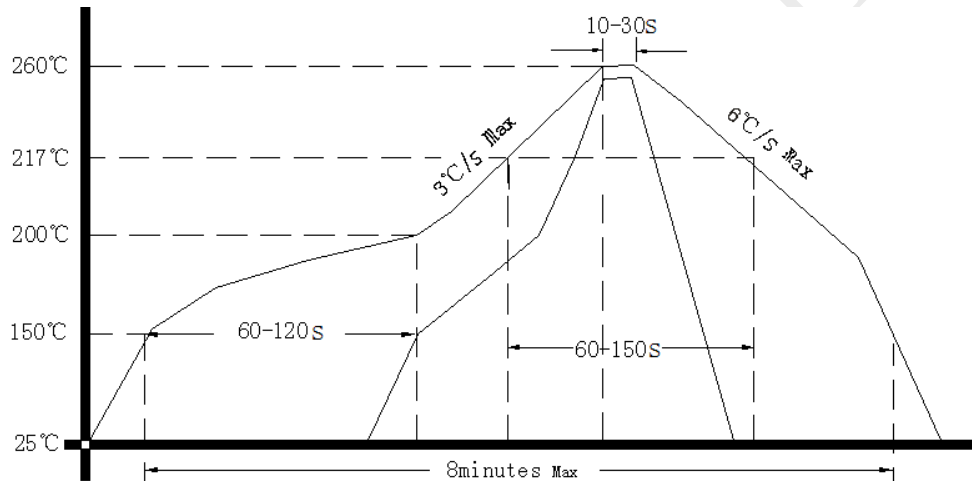
**Note1:** Tolerance ±0.1mm without mark



### 3. Test Circuit

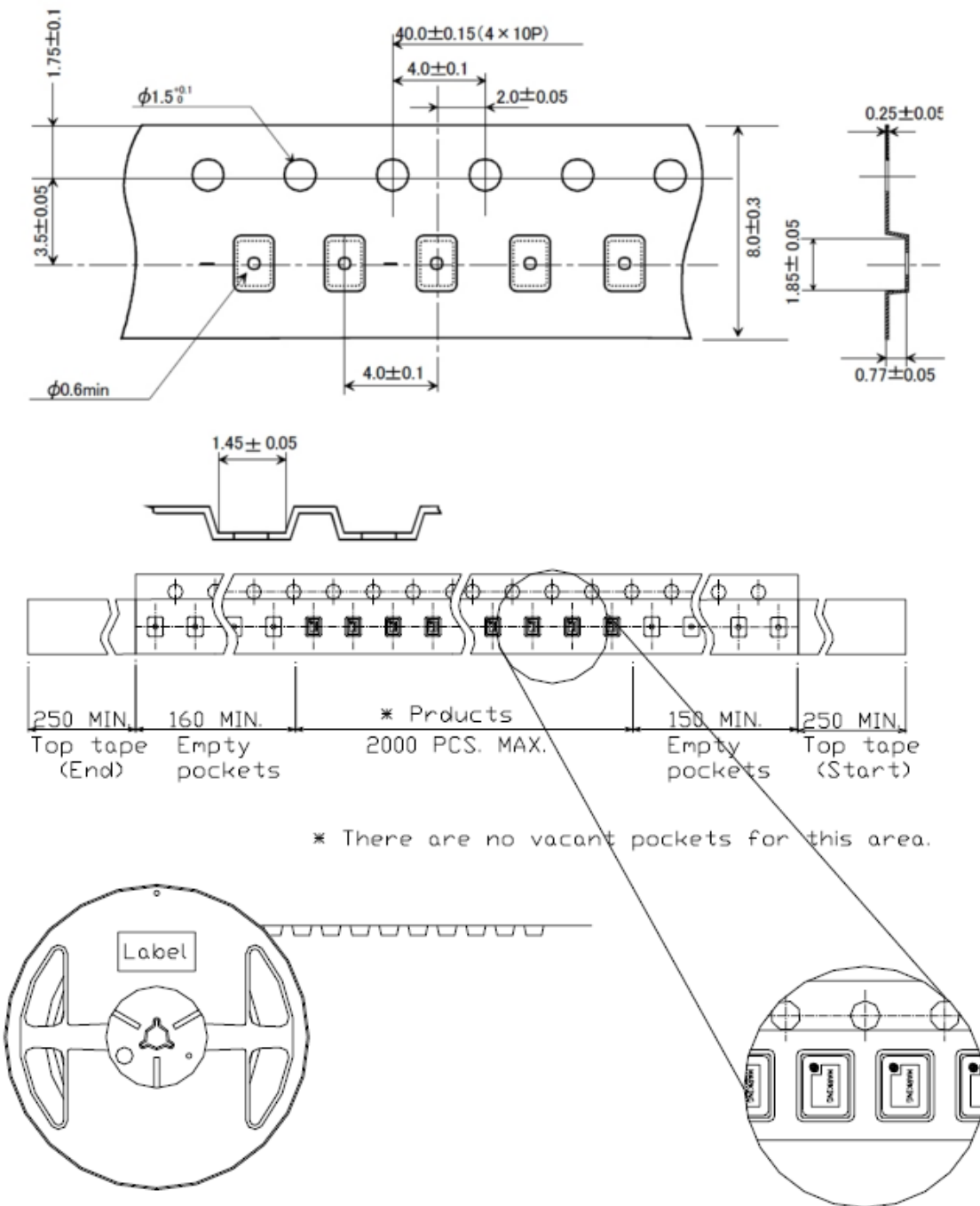


### 4. Reflow Soldering Curve (RoHS)





### 5. Package: Tape & Reel (mm)



	Embossed carrier tape	Top cover tape
Materials	PS	PET + PE + Adhesive layer
Disposition	Antistatic	Antistatic