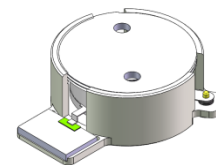




## DP0468S

### 2620MHz to 2690MHz Single-Junction Surface Mount Isolator

REV.	DESCRIPTION	REVISOR	DATE	APPROVED
A	Creating datasheet	ZC.Wu	2021/5/14	Nick
B	Change the Pin's diameter from 1.2 to 1.3	ZC.Wu	2021/5/18	Nick

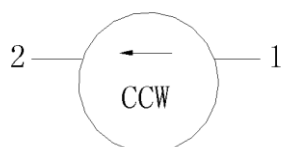


#### Applications:

- Wireless Infrastructure
- Power Amplifier

#### Features:

- Operating frequency range: 2620MHz to 2690MHz
- Operating temperature range: -40°C to +125°C
- Storage temperature range: -40°C to +125°C
- Small surface-mount package delivered on T&R
- BeOfree&RoHS compliant



Block Diagram



**Electrical Specifications:**

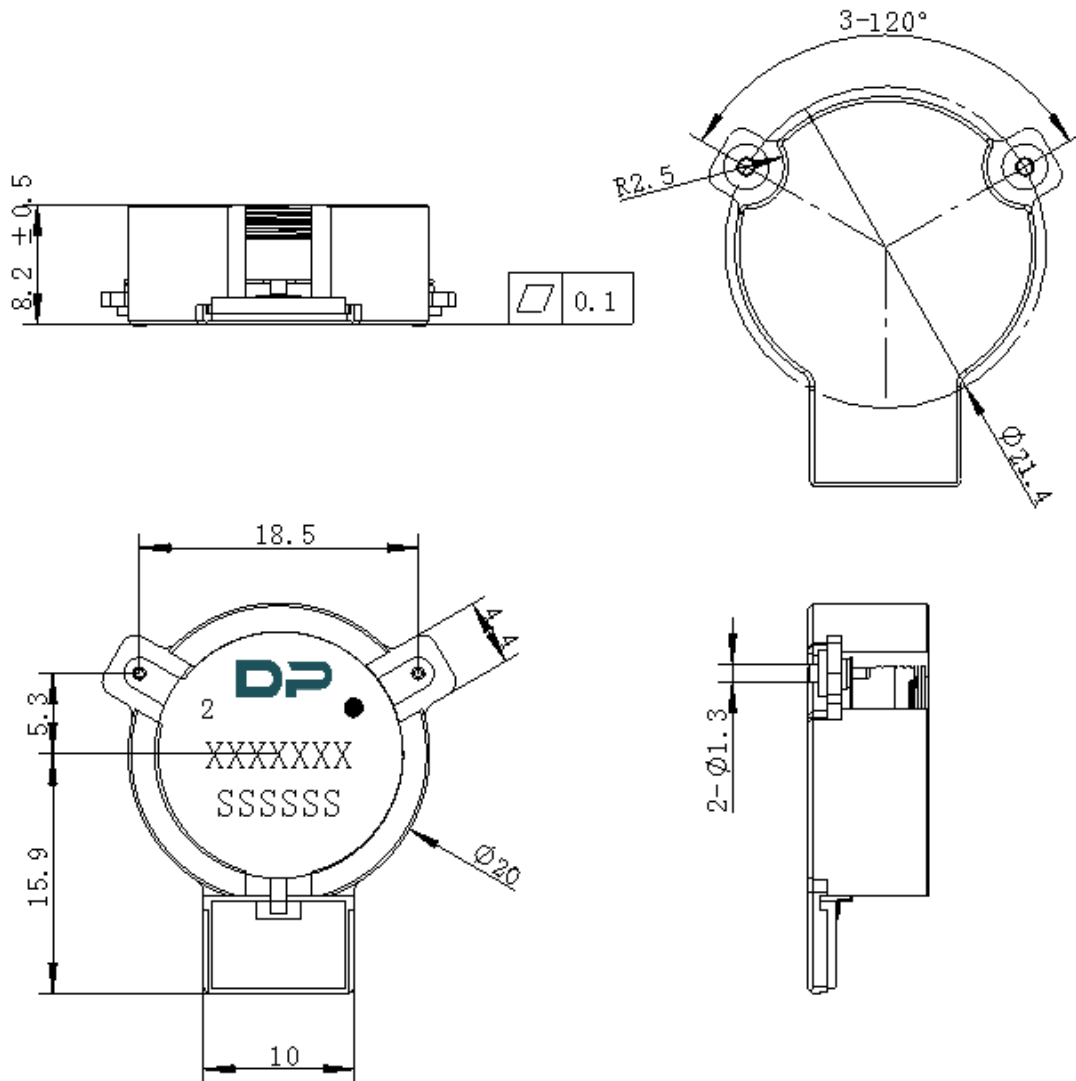
ITEM	SPECIFICATION	
Frequency	2620~2690	MHz
Direction	CCW	
Impedance	Typ: 50	$\Omega$
Insertion Loss (Max.)	0.2@-40~+115 $^{\circ}$ C 0.22@+115~+125 $^{\circ}$ C	dB
Isolation (Min.)	22@2620~2690MHz 20@2590~2720MHz 10@2550~2760MHz 8@2480~2830MHz 6@2410~2900MHz	dB
Return Loss (Min.)	20@-40~0 $^{\circ}$ C 23@0~+125 $^{\circ}$ C 20@2590~2720MHz 6@2480~2830MHz	dB
3rd IMD (Max.)	-69@2x50W CW tones	dBc
5th IMD (Max.)	-79@2x50W CW tones,	dBc
Harmonics	0@2x f 100W CW -10@3x f 100W CW -10@4x f 100W CW -35@5x f 100W CW -25@6x f 100W CW -25@7x f 100W CW	dBm
Out of band attenuation	10@2x f 5@3x f 5@nx f (n=order of in- band frequency multiple)	dB
Group delay	2.8	ns
Impedance control (the reference point at Isolator Pad)	Re: 45.5~54.5 Im: -5.5j~+5.5 j	$\Omega$
Deviation from nominal delay	$\pm 0.05$	ns
Power FWD/REV/PEAK	150/80/1500	W
Max voltage rating	1080	V
No Resonance point	2480 MHz ~2830 MHz	
Termination/Attenuator	100/-	W/dB

Notes :

1. Exposure to maximum rating conditions for extended periods may reduce device reliability. There is no damage to device with only one parameter set at the limit and all other parameters set at or below their nominal value. Exceeding any of the limits listed here may result in permanent damage to the device.
2. Performance is guaranteed under the conditions listed in this table and over the operating temperature range.



**Mechanical Specifications:**



Unit : Millimeters

Notes:

1. The housing and pins are silver-plated.
2. Tolerance  $\pm 0.2$  mm unless otherwise specified.
3. Co-planarity Specification: 0.1 mm maximum.
4. Part Number, Lot Code, and Port Designation are printed on the top side of device.
5. Part Number format shall be XXXXXXX
6. Serial Number format shall be SSSSSS