

Travelling Merchant: _____

DATASHEET

Standard: DPAM24000004

Plot			The Label
Drew	Audited	Approved	Stamp, please! Thanks!
Date: 2021.04.01			

Guangdong Dapu Telecom Technology Co.,Ltd

Building 5, No.24, Industrial Road East, Songshanhu Park, Dongguan, Guangdong, P.R. China

TEL: 0086-0769-88010888 FAX: 0086-0769-81800098

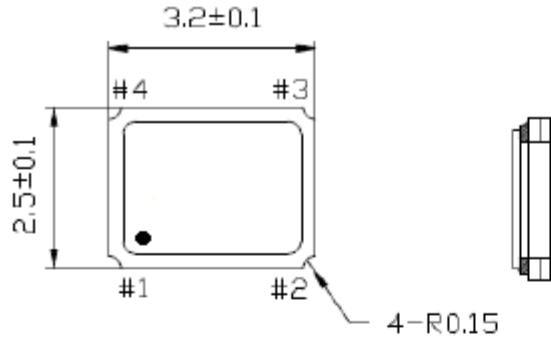


1、 Electrical Parameters

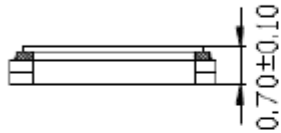
MODEL: DPAM24000004							
No.	Parameters	SYM.	Electrical Spec.				Notes
			Min.	Typ.	Max.	Units	
1	Nominal Frequency	FL	24.00			MHz	
2	Mode of Vibration	-	Fundamental			-	AT cut
3	Load Capacitance	CL	12			pF	
4	Frequency Tolerance	-	-10	-	+10	$\times 10^{-6}$	At 25°C± 3°C
5	Frequency Stability	-	-30	-	+30	$\times 10^{-6}$	Over Operating Temp. Range (Ref.to 25°C)
7	Aging	-	-3	-	+3	$\times 10^{-6}$	Per Year
8	Drive Level	DL			100	μ W	
9	Effective Resistance Rr	Rr	-	-	40	Ω	
10	Shunt Capacitance C0	C0		-	3	pF	
11	Insulation Resistance	-	500	-	-	M Ω	At DC 100V
12	Operating Temperature		-40	~	+85	°C	
13	Storage Temperature Range	-	-40	~	+85	°C	
14	ESD Level	Human Body Model,class2: 2000V to 4000V; ANSI/ESDA/JEDEC JS-001-2010.					
		Machine Model, class B: 200V to 400V; JEDEC JESD22-A115C.					
15	Moisture Sensitivity Level	Level 2.					
16	Vibration	Test Condition: 0.75mm ;acceleration:10g;10Hz~2000Hz, one cycle per 30 min, test 2 hour. (3 times for each 3 directions X, Y, Z). IEC 68-2-06 Test Fc.					
17	Shock	100g; 6ms; half sine wave (3 times for each 3 directions X ,Y, Z),IEC 68-2-27 Test Ea/Severity 50A.					



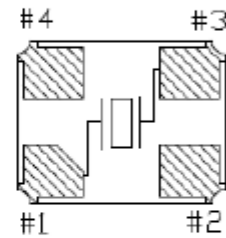
2、Mechanical Structure(mm)



PIN CONNECT	
1,3	Crystal
2,4	GND



<TOP VIEW>



LAND PATTERN(REFERENCE)

