

Travelling Merchant: \_\_\_\_\_

# DATASHEET

Standard:           O22B- Q426-10.00MHz          

Plot			The Label
Drew	Audited	Approved	FOR THE  Stamp, please! Thanks!
Date: 2019.01.21			

**Guangdong Dapu Telecom Technology Co.,Ltd**

Bldg13-16,.N.Ind.Zone,SSL Industry Park, Dongguan City, Guangdong Province, China

TEL: 0086-0769-88010888 FAX: 0086-0769-81800098



### Table of amendment

Version	Revision contents	Prepared by	Revised date
1.0	The first issued	<i>Amway</i>	2019.01.21

FOR I/A



## 1. Electrical Parameters

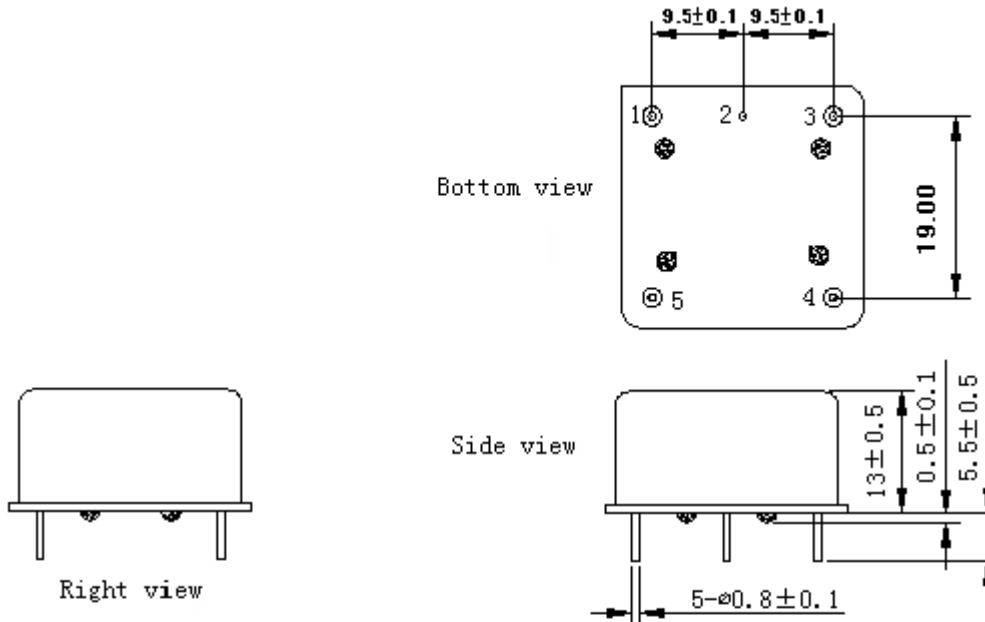
MODEL: O22B-Q426-10.00MHz						
Item	Description	Parameters			Unit	Test Condition
		Min.	Typ.	Max.		
Output	Frequency	10.00			MHz	
	Output Waveform	Sine wave				
	Level	6	8	10	dBm	
	Load		50		$\Omega$	
	Harmonics Suppression			-30	dBc	
	Spurious Suppression			-60	dBc	
Frequency Stabilities	Frequency Tolerance vs. Operating Temperature Range	-1		+1	$\times 10^{-9}$	$T_A$ varied from $-45^{\circ}\text{C}$ to $70^{\circ}\text{C}$ , measurement referenced to frequency observed with $f_{\text{ref}}=(f_{\text{max}}+f_{\text{min}})/2$ , $V_{\text{cc}}=5.0\text{V}$ , $V_{\text{C}}=2.5\text{V}$ , $O_{\text{load}}=50\Omega$ , temperature rise speed less than $2^{\circ}\text{C}$ per minute
	Initial Frequency Tolerance	-0.2		+0.2	$\times 10^{-6}$	Measurement referenced to frequency observed with $T_A=25^{\circ}\text{C}$ , $V_{\text{cc}}=5.0\text{V}$ , $V_{\text{C}}=2.5\text{V}$ and after 15 minutes of operation, within 30 days after ex-works
	Frequency Tolerance vs. supply voltage	-1		+1	$\times 10^{-9}$	measurement referenced to frequency observed $T_A=25^{\circ}\text{C}$ , $V_{\text{cc}}$ varied from 4.75V to 5.25V, $V_{\text{C}}=2.5\text{V}$ , $O_{\text{load}}=50\Omega$
	Frequency Tolerance vs. Load	-1		+1	$\times 10^{-9}$	5% Load Change Measurement referenced to frequency observed with $T_A=25^{\circ}\text{C}$ , $V_{\text{cc}}=5.0\text{V}$ , $V_{\text{C}}=2.5\text{V}$ , $O_{\text{load}}=50\Omega$
	Short Term Stability			0.01	$\times 10^{-9}$	Temperature stability, no EMI\EMC or other interference, test after power for 1hour ref. to $25^{\circ}\text{C}$ ; 1s, using PN9000 equipment.
	Aging Tolerance per day	-0.5		+0.5	$\times 10^{-9}$	$V_{\text{cc}}, V_{\text{C}}, T_A$ constant Measurement referenced to frequency observed with
	Aging Tolerance 1 Year	-0.05		+0.05	$\times 10^{-6}$	$T_A=25^{\circ}\text{C}$ , $V_{\text{cc}}=5.0\text{V}$ , $V_{\text{C}}=2.5\text{V}$ , $O_{\text{load}}=50\Omega$ and after 30 days of operation
Power Supply	Supply Voltage	4.75	5.0	5.25	V	
	Steady Consumption			400	mA	@ $25^{\circ}\text{C}$
	Warm up current			1000	mA	



Voltage Control Characteristics	Frequency Tuning Range			-0.5	$\times 10^{-6}$	$V_C=0V$ . measurement referenced to $V_C=2.5V$
		-0.2		+0.2	$\times 10^{-6}$	$V_C=2.5V$ . measurement referenced to exactly 10.00MHz
		+0.5			$\times 10^{-6}$	$V_C=5.0V$ . measurement referenced to $V_C=2.5 V$
	Linearity			10	%	
	Slope	Positive				
	Input Impedance	100				K $\Omega$
Phase Noise	Phase Noise		-130	-125	dBc/Hz	10Hz
			-145	-140		100Hz
			-155	-150		1KHz
			-155	-150		10KHz
Environmental Conditions	Operable Temperature	-45		+70	$^{\circ}C$	
	Storage Temperature	-55		+105	$^{\circ}C$	
	Vibration	Test Condition: 0.75mm ;acceleration:10g;10Hz~500Hz, one cycle per 30 min, test 2 hour. (3 times for each 3 directions X , Y , Z),IEC 68-2-06 Test Fc.				
	Shock	50g; 11ms; half sine wave (3 times for each 3 directions X , Y , Z ),IEC 68-2-27 Test Ea/Severity 50A.				
Full Package Storage	Relative humidity (%)	20%~70%				
	Temperature ( $^{\circ}C$ )	-10~35 $^{\circ}C$				

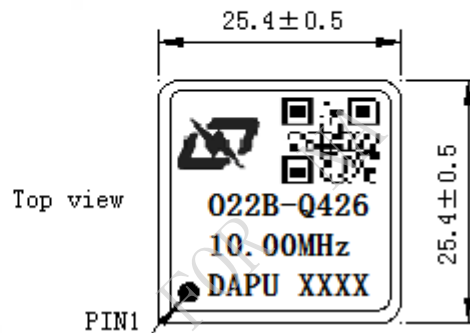


## 2. Mechanical Structure (mm)



### PIN FUNCTION

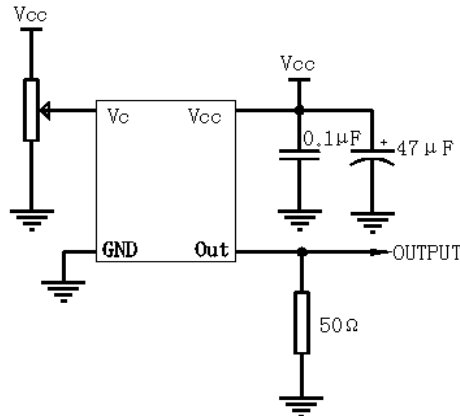
PIN	NOTATION	FUNCTION
1	OUTPUT	RF Output
2	GND	GND
3	VC	Control Voltage
4	NC	Not Connect
5	VCC	Supply Voltage



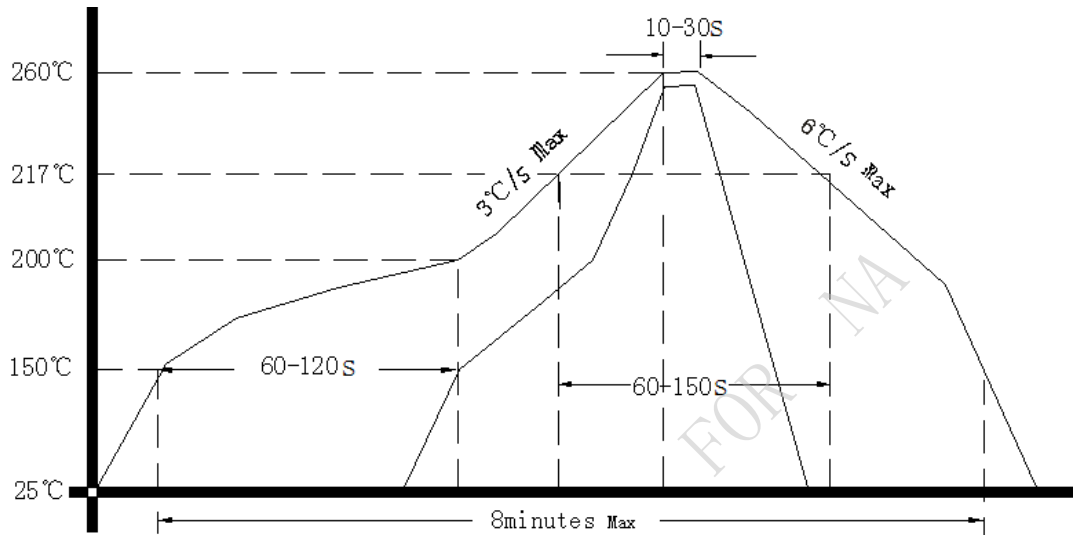
- Note1:** Tolerance  $\pm 0.2$ mm without mark
- Note2:** The first two xx representative: week  
After two xx representative: year
- Note3:** Referential weight 13.6g
- Note4:** NC is not connect



## 2. Test Circuit



## 3. Wave Soldering Curve (RoHS)



## 4. Package (mm)

