

Customer Code: _____

DATASHEET

DAPU P/N: DP7X50000007

DAPU			Customer Approval
Drew	Audited	Approved	Stamp, please! Thanks!
Date: 2021.04.05			

Guangdong Dapu Telecom Technology Co.,Ltd

Building 5, No.24, Industrial East Road, Songshanhu Park, Dongguan, Guangdong, P.R. China

TEL: 0086-0769-88010888 FAX: 0086-0769-81800098

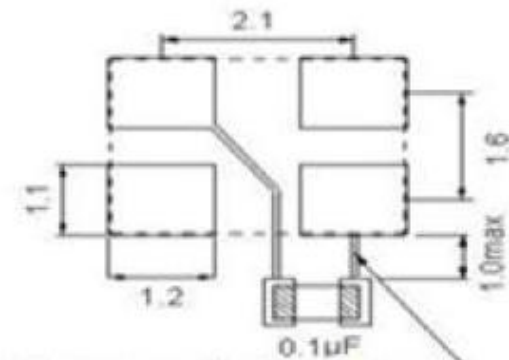
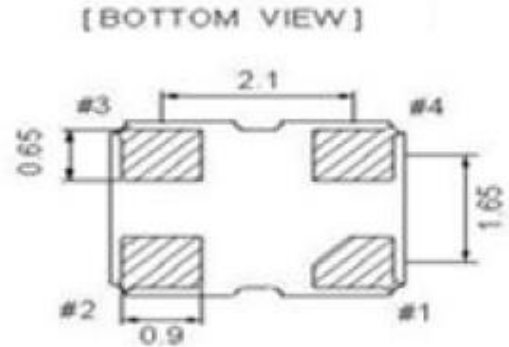
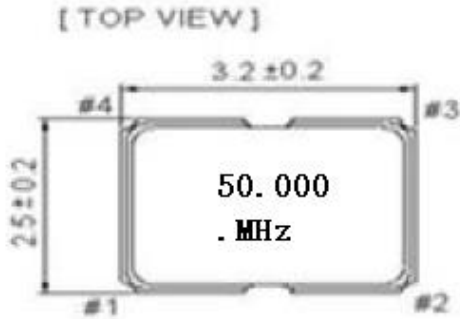


1、Electrical Parameters

MODEL: DP7X5000007							
No.	Parameters	SYM.	Electrical Spec.				Notes
			Min.	Typ.	Max.	Units	
1	Nominal Frequency	FL	50.00			MHz	
2	Output Waveform		CMOS				
3	Symmetry	-	45	50	55	%	
4	Frequency stability	$\Delta f/f_n$	-20		+20	$\times 10^{-6}$	25°C
			-20		+20	$\times 10^{-6}$	-40-85°C
5	Operating Temperature	Topr	-40		+85	°C	The operating temperature range over which the frequency stability is measured.
6	Storage Temperature	Tstg	-55	~	+125	°C	
7	Supply Voltage	Vcc	1.65		3.46	V	
8	Supply Current	Icc			5	mA	
9	Output Load:	CL			15	pF	
10	Aging First Year		-3		+3	$\times 10^{-6}$	
11	Start up time				5	ms	
12	Rise/ Fall Time	Tr/Tf	-	-	5	ns	
13	“H” Onput Voltage	VOH	Vdd*0.9			V	
14	“l” Onput Voltage	VOL			Vdd*0.1	V	
15	Tri-State Output Active		0.7*Vdd			V	Pin 1 Tri-state
16	Tri-State Output in High-impedance state				0.3*Vdd	V	
17	ESD Level	Human Body Model,class2: 2000V to 4000V; ANSI/ESDA/JEDEC JS-001-2010.					
		Machine Model, class B: 200V to 400V; JEDEC JESD22-A115C.					
18	Moisture Sensitivity Level	Level 2.					
19	Vibration	Test Condition: 0.75mm ;acceleration:10g;10Hz~2000Hz, one cycle per 30 min, test 2 hour. (3 times for each 3 directions X ,Y , Z).IEC 68-2-06 Test Fc.					
20	Shock	100g; 6ms; half sine wave (3 times for each 3 directions X ,Y, Z),IEC 68-2-27 Test Ea/Severity 50A.					
21	Full Package Storage	Relative humidity (%)		20% ~70%			
		Temperature (°C)		-10~35°C			



2、Mechanical Structure(mm)



※ Might cause malfunction if do not follow the recommendation.

Recommended soldering pattern

Pin	Function
#1	Tri-State
#2	GND
#3	Output
#4	V _{DD}