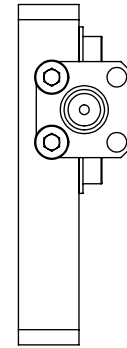
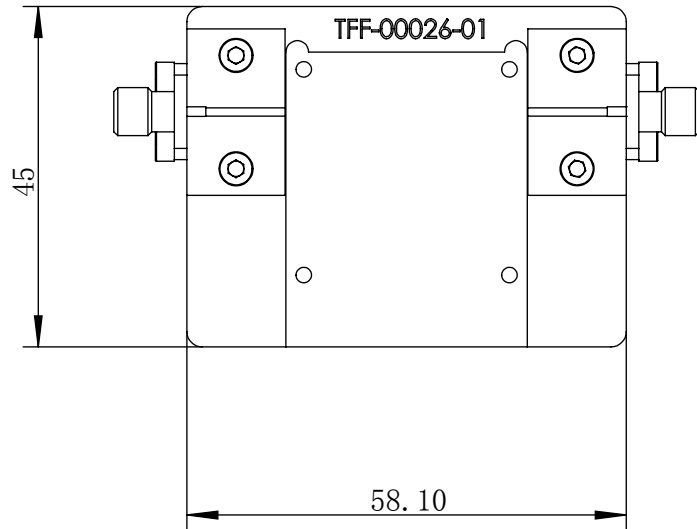
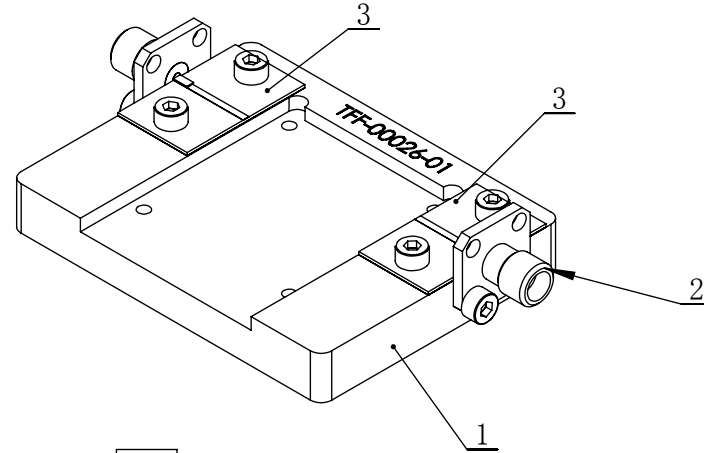
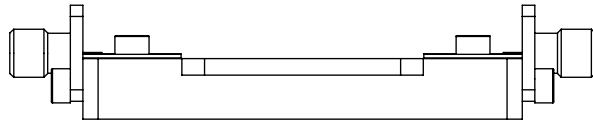

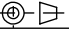


RoHS COMPLIANT

REVISIONS			
REV.	DESCRIPTION	DATE	APPROVAL
A		2020/8/3	



项目号	零件号	说明	数量
1	TFF-00026-01	Test Block	1
2	CON-00001	CONNECTOR SMA-F	2
3	PCB-00017	PCB	2
4	SCR-00008	M2.5X6内六角螺丝	8

PART NAME: 测试夹具	Designed:	ZC. Wu		
	Checked:			
DRAWING NO. : TFF-00026	Approval:		TOLERANCES ON	
	The first angle projection: 			DECIMALS
DESCRIPTION: Test Fixture	Sheet 1 of 1		±0.20	±0.5°
	Scale: 1:1	Unit: mm		