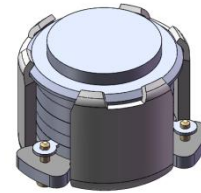




DP0365C

3400MHz to 3600MHz Single-Junction Surface Mount Circulator

REV.	DESCRIPTION	REVISOR	DATE	APPROVED
A		Jie.Jiang	2020/11/27	Nick

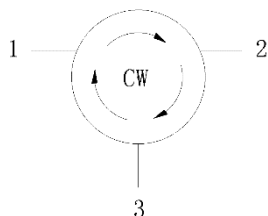


Applications:

- Wireless Infrastructure
- Power Amplifier

Features:

- Operating frequency range: 3400MHz to 3600MHz
- Operating temperature range: -40°C to +125°C
- Storage temperature range: -55°C to +150°C
- Small surface-mount package delivered on T&R
- BeO free & RoHS compliant



Block Diagram



Electrical Specifications:

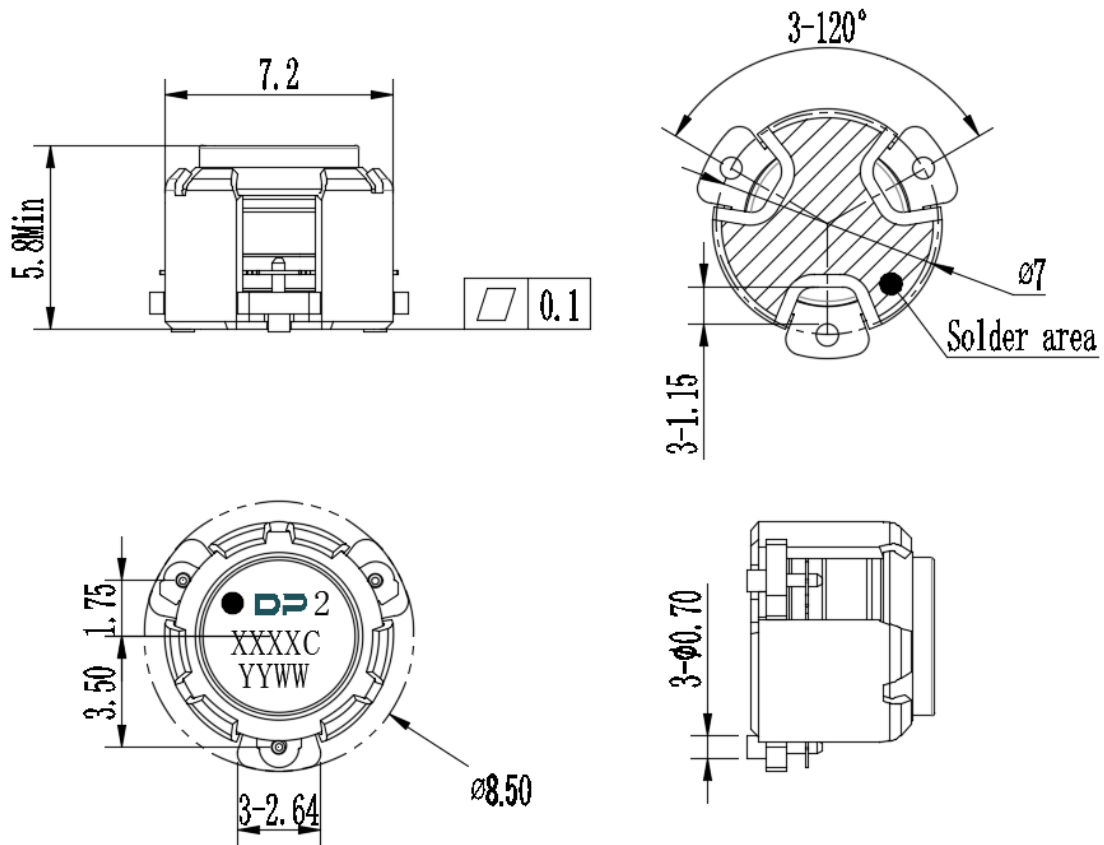
ITEM	SPECIFICATION	
Frequency	3400~3600	MHz
Direction	CW	
Impedance	Typ: 50	Ω
Insertion Loss (Max.)	0.28@25±10℃ 0.30@-40~+85℃ 0.33@+85~+125℃	dB
Isolation (Min.)	22@25±10℃ 20@-40~+85℃ 18@+85~+125℃	dB
Return Loss (Min.)	22@25±10℃ 20@-40~+85℃ 18@+85~+125℃	dB
3rd IMD (Max.)	-60@2x20W CW tones, 1MHz spacing	dBc
Group delay	/	ns
2nd harmonic	30	dBc
3rd harmonic	10	dBc
Power FWD/REV/PEAK	40/ 40/250	W
Termination/Attenuator	/	W/dB
Out Band Resonance	/	
Input Impedance ,real	3.3G>50 3.4G<50 3.6G<50 3.7G>50	Ω
Input Impedance ,imaginary	3.3G<0 3.4G<0 3.6G>0 3.7G>0	j Ω

Notes :

1. Exposure to maximum rating conditions for extended periods may reduce device reliability. There is no damage to device with only one parameter set at the limit and all other parameters set at or below their nominal value. Exceeding any of the limits listed here may result in permanent damage to the device.
2. Performance is guaranteed under the conditions listed in this table and over the operating temperature range.



Mechanical Specifications:



Unit : Millimeters

Notes:

1. The housing and pins are silver-plated.
2. Tolerance ± 0.2 mm unless otherwise specified.
3. Co-planarity Specification: 0.1mm maximum.
4. Part Number, Lot Code, and Port Designation are printed on the top side of device.
5. The **XXXXC** on the label represents the last five digits of the Part Number
6. Date code is in format **YYWW**

Packaging Style:



ITEM	W	A0	B0	C0	K0	D	E	F	F2	P	P0	P2	T
DIM	24	Φ7.4	9.2	2.7	6.0	Φ1.5	1.75	11.5	-	20	4	2	0.5
TOLE	±0.2	±0.2	±0.2	±0.2	±0.2	+0.1	±0.1	±0.15	±0.1	±0.1	±0.1	±0.1	±0.05

