

Travelling Merchant: _____

DATASHEET

Standard: **T32-F519-54.00MHZ**

P/N: _____

| Plot | | | The Label |
|------------------|---------|----------|------------------------|
| Drew | Audited | Approved | Stamp, please! Thanks! |
| | | | |
| Date: 2020.07.21 | | | |

Guangdong Dapu Telecom Technology Co.,Ltd

Bldg13-16,.N.Ind.Zone,SSL Industry Park, Dongguan City, Guangdong Province, China

TEL: 0086-0769-88010888 FAX: 0086-0769-81800098



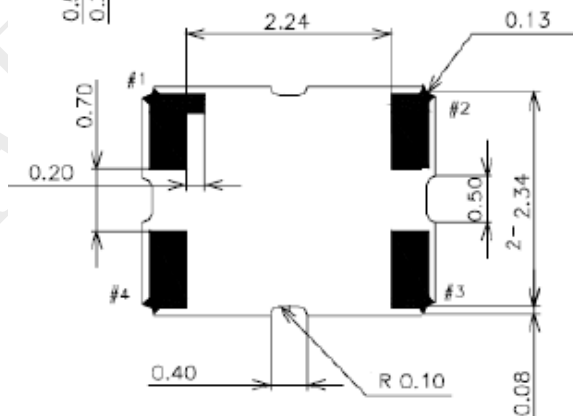
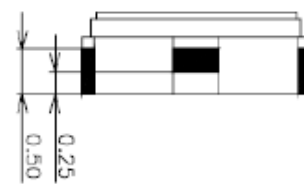
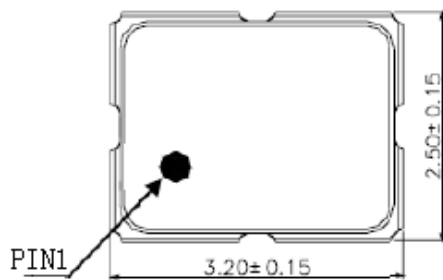
1. Electrical Parameters

| MODEL: T32-F519-54.00MHz | | | | | | |
|--------------------------|---|-------------------|------|-------|------------------|--|
| Item | Description | Parameters | | | Unit | Test Condition |
| | | Min. | Typ. | Max. | | |
| Output | Frequency | 54.00 | | | MHz | |
| | Output Waveform | Clipped Sine Wave | | | | |
| | Vp-p | 0.6 | | | V | |
| | Startup time | | | 10 | ms | |
| | Load | 10KΩ//10pF | | | | |
| Frequency Stabilities | Frequency Tolerance vs. Operating Temperature Range | -10 | | +10 | $\times 10^{-6}$ | T_A varied from -40°C to 105°C , measurement referenced to frequency observed with $f_{\text{ref}}=(f_{\text{max}}+f_{\text{min}})/2$, $V_{\text{cc}}=3.3\text{V}$, $O_{\text{load}}=10\text{K}\Omega//10\text{pF}$, temperature variable speed less than 2°C per minute. |
| | Nominal Frequency Tolerance | -2 | | +2 | $\times 10^{-6}$ | Measurement referenced to frequency observed with $T_A=25^{\circ}\text{C}$, $V_{\text{cc}}=3.3\text{V}$ within 30 days after ex-works. |
| | Frequency Tolerance vs. Supply Voltage | -0.2 | | +0.2 | $\times 10^{-6}$ | measurement referenced to frequency observed $T_A=25^{\circ}\text{C}$, V_{cc} varied from 3.13V to 3.47V and $O_{\text{Load}}=10\text{K}\Omega//10\text{pF}$. |
| | Frequency Tolerance vs. Load | -0.2 | | +0.2 | $\times 10^{-6}$ | 5% load change measurement referenced to frequency observed with $T_A=25^{\circ}\text{C}$, $V_{\text{cc}}=3.3\text{V}$, and $O_{\text{Load}}=10\text{K}\Omega//10\text{pF}$. |
| | Aging Tolerance Per Day | -0.02 | | +0.02 | $\times 10^{-6}$ | $T_A=25^{\circ}\text{C}$, $V_{\text{cc}}=3.3\text{V}$ and after 1h of operation. |
| | Aging Tolerance 1 Year | -1 | | +1 | $\times 10^{-6}$ | |
| Power Supply | Operating Current | | | 4 | mA | @ 25°C , $V_{\text{cc}}=3.3\text{V}$, $O_{\text{Load}}=10\text{K}\Omega//10\text{pF}$. |
| | Supply Voltage | 3.13 | 3.3 | 3.47 | V | |
| Phase Noise | Phase Noise @ 25°C | | -83 | -78 | dBc/Hz | 10Hz |
| | | | -108 | -103 | | 100 Hz |
| | | | -130 | -125 | | 1KHz |
| | | | -147 | -142 | | 10KHz |
| | | | -151 | -146 | | 100KHz |
| | | | -155 | -150 | | 1MHz |



| | | | | | | |
|--------------------------|---|---|--|------|----|--|
| Environmental Conditions | Operable Temperature | -40 | | +105 | °C | |
| | Storage Temperature | -55 | | +105 | °C | |
| | ESD Level | Human Body Model,class2: 2000V to 4000V; ANSI/ESDA/JEDEC JS-001-2010. | | | | |
| | | Machine Model, class B: 200V to 400V; JEDEC JESD22-A115C. | | | | |
| | Moisture Sensitivity Level | Level 2. | | | | |
| | Vibration | Test Condition: 0.75mm ;acceleration:10g;10Hz~2000Hz, one cycle per 30 min, test 2 hour. (3 times for each 3 directions X ,Y , Z) .IEC 68-2-06 Test Fc. | | | | |
| Shock | 100g; 6ms; half sine wave (3 times for each 3 directions X ,Y , Z),IEC 68-2-27 Test Ea/Severity 50A. | | | | | |
| Full Package Storage | Relative humidity (%) | 20% ~70% | | | | |
| | Temperature (°C) | -10~35°C | | | | |

2. Mechanical Structure(mm)



PIN FUNCTION

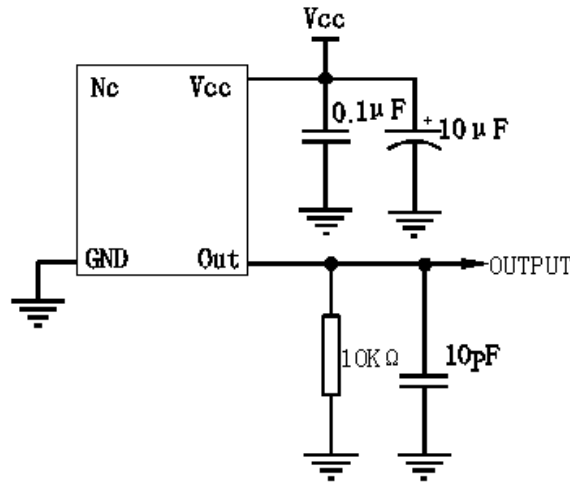
| PIN | FUNCTION |
|-----|----------|
| 1 | NC |
| 2 | GND |
| 3 | OUTPUT |
| 4 | VCC |

Note1: Tolerance ±0.2mm without mark

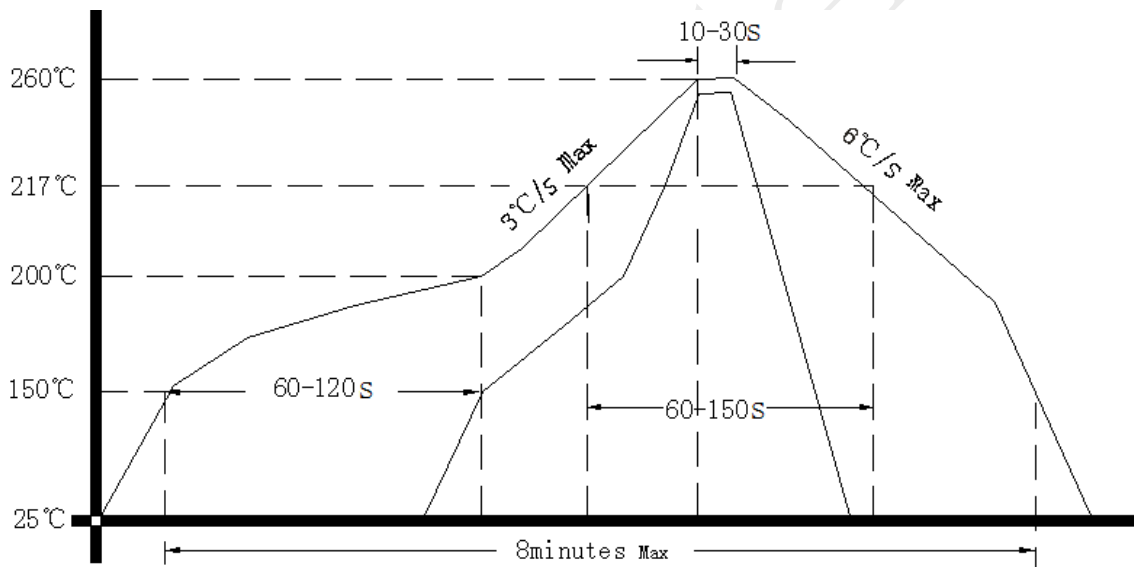
Note2 Referential weight 0.02g



3. Test Circuit



4. Reflow Soldering Curve (RoHS)



5. Package: Tape & Reel (mm)

