

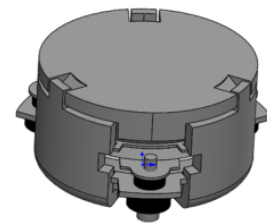


## DP1021C

2320MHz to 2370MHz Single-Junction Surface Mount Circulator

CUSTOMER:H3C

REV.	DESCRIPTION	REVISOR	DATE	APPROVED
A		ZC.Wu	2020/07/28	DP.Zhang

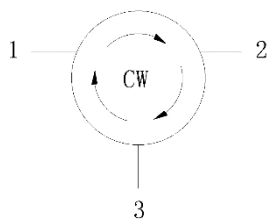


### Applications:

- Wireless Infrastructure
- Power Amplifier

### Features:

- Operating frequency range: 2320MHz to 2370MHz
- Operating temperature range: -40°C to +105°C
- Storage temperature range: -55°C to +150°C
- Small surface-mount package delivered on T&R
- BeOfree&RoHS compliant



Block Diagram



## Electrical Specifications:

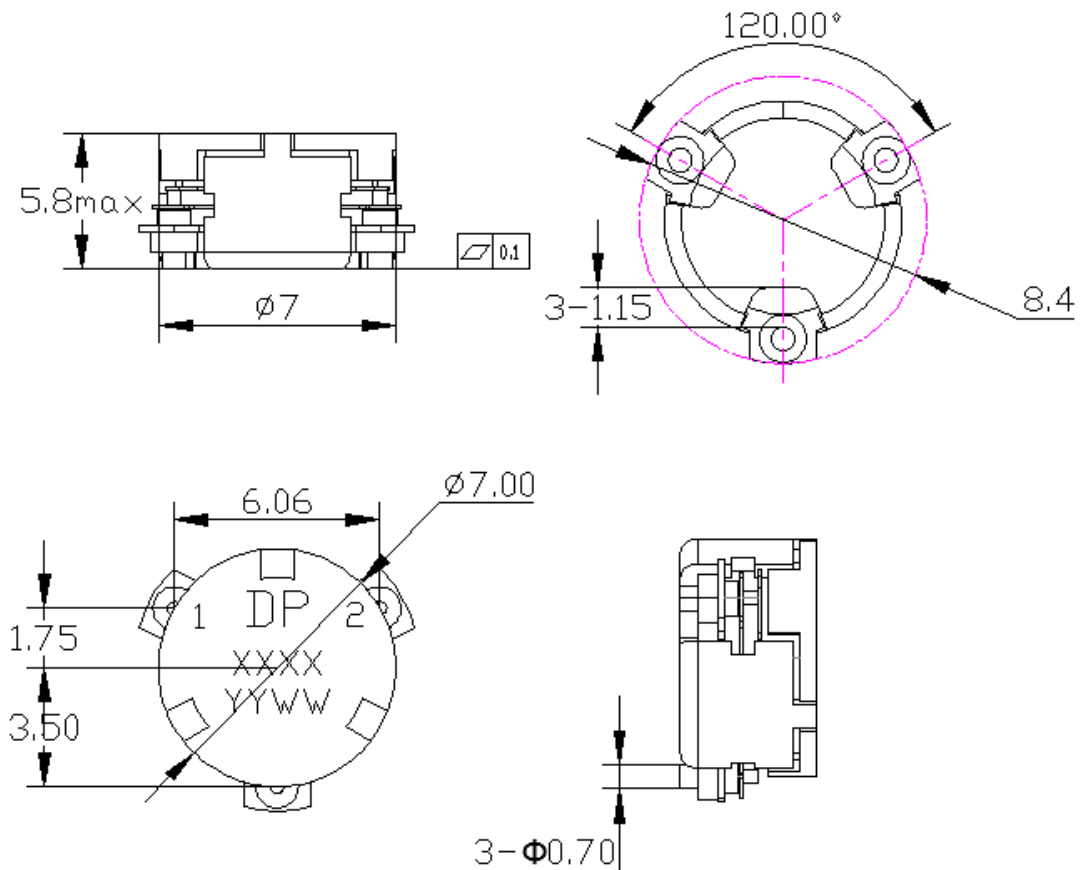
ITEM	SPECIFICATION	
Frequency	2320~2370	MHz
Direction	CW	
Impedance	Typ: 50	$\Omega$
Insertion Loss (Max.)	0.55	dB
Isolation (Min.)	17	dB
Return Loss (Min.)	17	dB
3rd IMD (Max.)	-55@2x1W CW tones, 1MHz spacing	dBc
Group delay	2	ns
2nd harmonic	10	dBc
3rd harmonic	5	dBc
Power FWD/REV/PEAK	15/15/100	W
Termination/Attenuator	/	W/dB
Out Band Resonance	/	
Input Impedance ,real	/	$\Omega$
Input Impedance ,imaginary	/	$j\Omega$

Notes :

1. Exposure to maximum rating conditions for extended periods may reduce device reliability. There is no damage to device with only one parameter set at the limit and all other parameters set at or below their nominal value. Exceeding any of the limits listed here may result in permanent damage to the device.
2. Performance is guaranteed under the conditions listed in this table and over the operating temperature range.
3. Performance will not degrade by > 10% (Insertion loss > 20%) with an operating temperature of up to 130 °C.



### Mechanical Specifications:



Unit : Millimeters

#### Notes:

1. The housing and pins are silver-plated.
2. Tolerance  $\pm 0.2$ mm unless otherwise specified.
3. Co-planarity Specification: 0.1mm maximum.
4. Part Number, Lot Code, and Port Designation are printed on the top side of device.
5. Part Number is in format **XXXX** (Last four digits)
5. Date code is in format **YYWW**